

user manual
instrukcja obsługi



eng

pl

NVC-105B / NVC-155B
NVC-130BH / NVC-180BH

NOVUS™

user manual



eng

**NVC-105B / NVC-155B
NVC-130BH / NVC-180BH**

NOVUS™

1. Cautions on handling and installations

1. Be careful, never let any water in this equipment.
2. Please do not directly touch the CCD element. If necessary, use soft cloth moistened with alcohol to wipe off the dust.
3. When any abnormal occur make sure to unplug the unit and contact your local dealer.
4. Please be extra careful not to shake the Camera.
5. Please avoid places where there is direct sunlight.
6. When using this Camera in places where the lighting differs, greatly, please use the Auto Iris Lens with ND Filter.
7. Please avoid places where temperatures exceed 50°C or more, high humidity or where direct rain drops hit.
8. Please avoid places where frequent vibrations or shocks.
9. If during the night, the minimum brightness of 0.1 Lux can not be achieved, install appropriate light fixtures.
10. When the Camera is not used, keep the Lens or the Lens cap attached to protect the CCD Sensor.

eng

2. Description

This Black and White Camera use high sensitive 1/3" interline transfer CCD image Sensor (CCD = Charge Coupled Device), and all state circuitry which provide extremely long life and high reliability. This Camera offers excellent image quality with low lag and high burn resistance, and is not subject to distortions from magnetic fields. High resistance shock and vibration, easy to install, this Camera is a very good choice for your B/W CCTV system.

3. Main feature

- B/W camera with SONY 1/3" Super HAD CCD sensor in metal case.
- Pixel number: EIA=380,000 / CCIR=440,000 (High Resolution)
- EIA=270,000 / CCIR=320,000 (Normal Resolution)
- Reduced fixed pattern noise and lag. No sticking and no image distortion. Blooming suppression.
- Auto Electronic Shutter (AES), Auto Gain Control (AGC), Back Light Compensation (BLC), Line Lock (LL), Audio.
- Supports both C and CS mount lens.
- Supports both Video-Drive & DC-Drive auto iris lens.

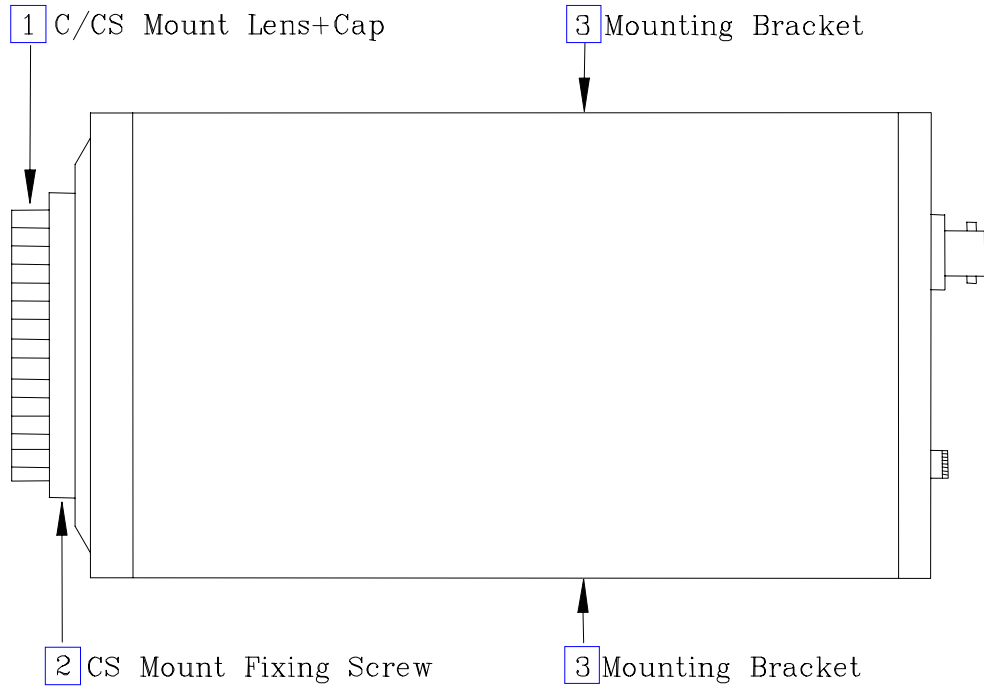
eng

4. Specifications

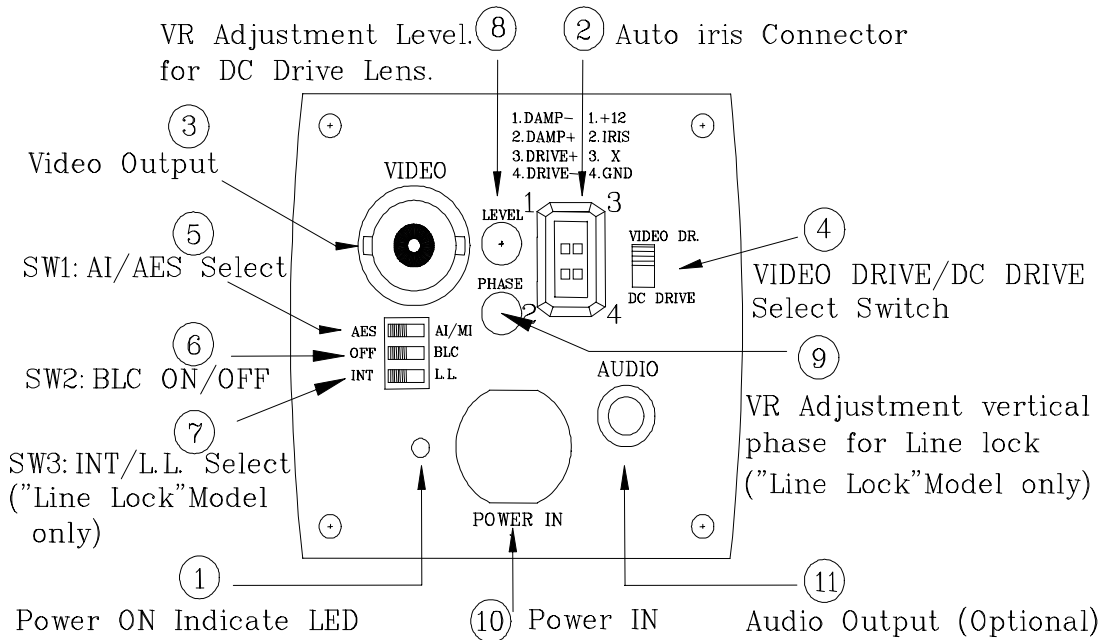
Model Type	NVC-130BH	NVC-180BH	NVC-105B	NVC-155B
Image Pick up Device	SONY 1/3" CCD			
Effective Picture Elements (H x V)	CCIR: 752x582		CCIR: 500x582	
Horizontal resolution	600 TV lines		420 TV lines	
Minimum illumination	0,01 LUX @ F1,2		0,05 LUX @ F1,2	
S/N Ratio	More than 48dB			
Auto Iris Control	Video Drive / DC-DRIVE			
Auto Electronic Shutter	PAL: 1/50s~1/100 000s ON / OFF Switchable			
Gamma Characteristic	0,45			
Lens Mount	C or CS Mount can be used			
Auto Gain Control	Yes			
Back Ligot Compensation	ON / OFF Switchable			
Synchronous system	Internal			
Video output	1Vp-p / 75 Ω , BNC connector			
Audio output (optional)	2Vp-p / 50 Ω , RCA connector			
Power supply	12VDC / 24VAC	230VAC	12VDC / 24VAC	230VAC
Power consumption	2,75W			
Operating temperature	-10°C to 50°C			

Note: Design and specifications are subject to change without prior notice.

5. Names of each part



eng



6. How to operate

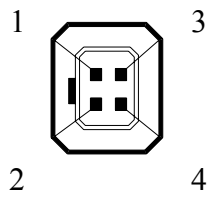
1. Remove the cap cover from the top of the Lens Mount [1].
2. If CS Mount Lens is used, remove the C Mount ring.
3. Screw the Lens into the Lens Mount.
4. Connect the Video Output [3] to the monitor or other video device through a 75 Ohms type coaxial cable.
5. Connect the power source (either with AC or 12V DC power source), then the LED indicator [1] will lit.
6. Once the picture appears on the monitor, adjust the focus and iris of the Lens to obtain the best picture.
7. If the subject is not in correct focus when adjusting focus of the Lens, do back focus adjustment as following:
 - Set the Focus ring of the Lens to indefinite position.
 - Take picture of subject at a distance more than 20m away.
 - Loosen the Mount Lens fixing screw (use L wrench).
 - Turn the Lens and the Mount Lens together so the subject is in the focus and the picture is clear.
 - Screw the Mount Lens Fixing Screw [2].
8. Mount the Camera on the Mounting Bracket by using the hole on top or bottom of the camera or using the enclosed 8 mm Mounting bloc with the 2 screws furnished.
9. When using an Auto Iris Lens, the Switch [1] should be in position AI to disable AES function. Before plug the enclosed miniature pins to Auto Iris Connector [2], please check the type of Auto Iris Lens, and also the compatibility on the polarities.

If the Auto Iris Lens is DC DRIVE (or DIRECT DRIVE), the Switch [4] should be in position DC DRIVE. Adjust the LEVEL with the VR [8] to proper level.

If the Auto Iris Lens is VIDEO DRIVE, the Switch [4] should be in position VIDEO DR.

When using Manual Iris Lens, the Switch [4] is select-able depend on application environment.
10. BLC FUNCTION
Set Switch [6] to BLC to enable Back Light Compensation (BLC) function.

7. Auto iris control connector

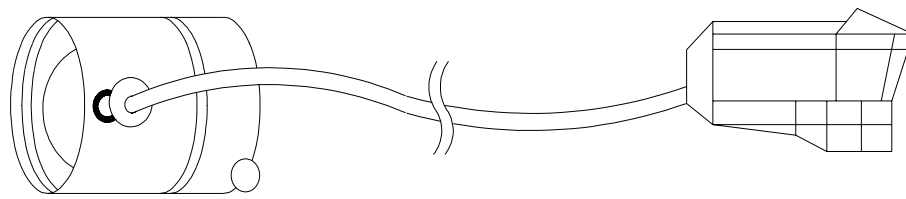


PIN	Video driver
1	+12 V DC
2	IRIS OUT
3	GND
4	GND

eng

Video Driver Lens

Connector



8. Packing

- 1 Camera
- 1 C Mount ring
- 2 Screws
- 1 L Wrench
- 1 Connector 4 Pins for Auto Iris Lens
- 1 Instruction Manual

noVusTM

NOVUS Security Sp. z o.o.

Pulawska Street 431, 02-801 Warsaw, Poland

phone.: (22) 546 0 700, fax: (22) 546 0 719

www.novuscctv.com