

user's manual
instrukcja obsługi



eng

pl


NVPT-A111VT

NOVUS[®]

INFORMATION

EMC (89/336/EEC) and LVD (73/23/EEC) Directives

CE Marking

 Our products are manufactured to comply with requirements of the following directives and national regulations implementing the directives:

- Electromagnetic compatibility EMC 89/336/EEC with further amendments
- Low-voltage LVD 73/23/EEC with further amendments. This directive applies to electrical equipment designed for use with a voltage rating between 50VAC and 1000VAC, as well as 75VDC and 1500VDC.

WEEE 2002/96/EC Directive

Information for users who want to get rid of electrical and electronic appliances



This product is marked according to the European Directive on Waste Electrical and Electronic Equipment (2002/96/EC) and further amendments. By ensuring this product is disposed of correctly, you will help to prevent potential negative consequences for the environment and human health, which could otherwise be caused by inappropriate waste handling of this product.

The symbol on the product, or the documents accompanying the product, indicates that this appliance may not be treated as household waste. It shall be handed over to the applicable collection point for the waste electrical and electronic equipment for recycling purpose. For more information about recycling of this product, please contact your local authorities, your household waste disposal service or the shop where you purchased the product.

2002/95/EC RoHS Directive



Out of concern for human health protection and friendly environment, we assure that our products falling under RoHS Directive regulations, regarding the restriction of the use of hazardous substances in electrical and electronic equipment, have been designed and manufactured in compliance with the above mentioned regulation. Simultaneously, we claim that our products have been tested and do not contain hazardous substances whose exceeding limits could have negative impact on human health or natural environment.

Information

The device, as a part of professional CCTV system used for surveillance and control, is not designed for self installation in households by individuals without technical knowledge.

The manufacturer is not responsible for any defects or damages resulting from improper, or inconsistent with user's manual, installation of the device in the system.

WARNINGS AND PRECAUTIONS

ATTENTION!

THE KNOWLEDGE OF THIS USER'S MANUAL IS AN INDESPENSIBLE CONDITION OF A PROPER TRANSMITTER OPERATING. YOU ARE KINDLY REQUESTED TO FAMILIARIZE YOURSELF WITH THIS MANUAL BEFORE STARTING THE DEVICE.



THE MANUAL SHOULD BE KEPT FOR FUTURE USE.

CAUTION!

THE COVER MUSTN'T BE TAKEN OFF. ANY SELF-REPAIRS MUSTN'T BE EXECUTED.

ALL REPAIRS CAN BE EXECUTED ONLY BY QUALIFIED STAFF OF THE AUTHORISED NOVUS SERVICE.

CAUTION!

THE DEVICE HAS TO BE PROTECTED AGAINST HUMIDITY AND DUST. IN CASE OF CONTACT WITH WATER SWITCH OFF THE POWER SUPPLY AND CONTACT THE AUTHORISED NOVUS SERVICE.

eng

INFORMATION

All the data included in this manual are up to date at the moment of printing this manual. Novus Security Sp. z o.o. reserves the right to amend this manual. The producer reserves the right to modify multiplexer's parameters and change its design without notice.

SPECIFICATION

1. SPECIFICATION

Type	Active video transmitter
Video Input / Output	1 x BNC, V_{p-p} , 75 Ω
Bandwidth	12 MHz
Transmission distance colour signal	up to 2400 m (with passive transmitter and active receiver NVPT-A111VRH)
Transmission distance b/w signal	up to 3000 m (with passive transmitter and active receiver NVPT-A111VRH)
Power Supply	12 VDC (power supply unit in-set included)
Power Consumption	0,5W
Dimensions (mm)	49 (L) x 42 (W) x 45(H)
Weight	65 g (without power supply unit)
Case	ABS, black
Cable recommended	CAT 5 UTP, 0.5 mm ²

Notice: This device is dedicated for transmission over long distances and is not suitable for distances shorter than 100m. In case of short distance transmission video picture might be distorted or noisy. In case of short distance transmission please use passive transmitters e.g. NVPT-111VT.

Notice: Maximum transmission distances are valid when only one pair is used. When more than one pair in the cable is used maximum distances might be slightly shorter.

Notice: Maximum transmission distances are given for total cable length, twisted-pair plus possible coaxial cable used e.g. as a patch-cords. The above distances are given for camera to monitor connection. When DVR, multiplexer or quad is also used distance might be slightly shorter.

Notice: It is impossible to extend the above transmission distance by cascade connection of those passive devices. In order to achieve longer distances active devices must be used.

Notice: With transmission over long distances slight image brightness and sharpness loss might be noticeable. It's a normal phenomenon and it can't be considered as a device malfunction.

FEATURES

2. FEATURES

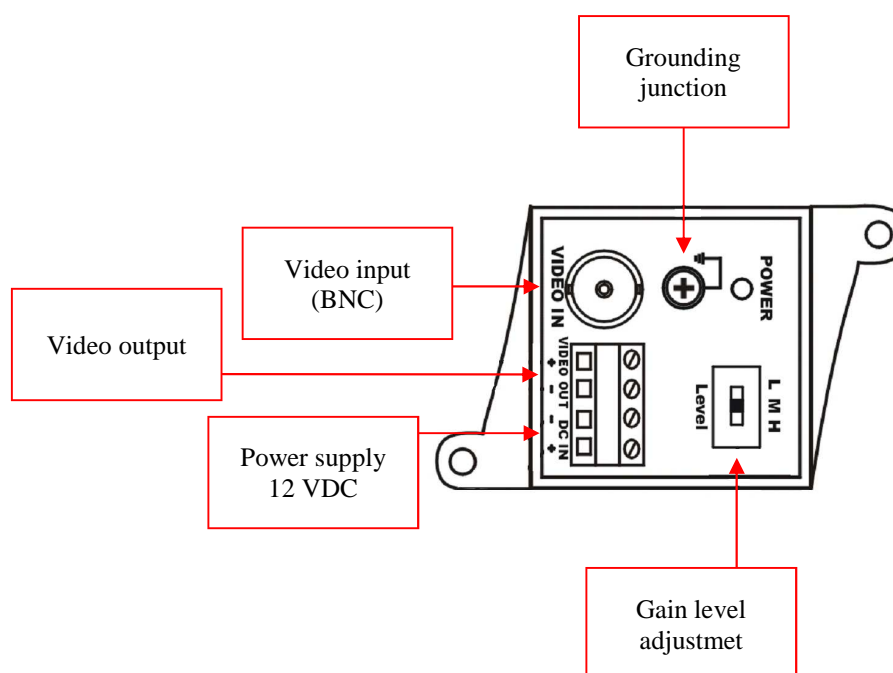
- Single-channel active video transmitter for twisted-pair;
- Connectors: 1 x BNC female, 4-pin screw terminal,
- Video transmission distances: b/w signal up to 3000m and color signal up to 2400m using active receiver NVPT-A111VRH;
- 12 VDC power supply unit in-set included;
- Power supply on indicator (LED)



eng

3. INSTALLATION

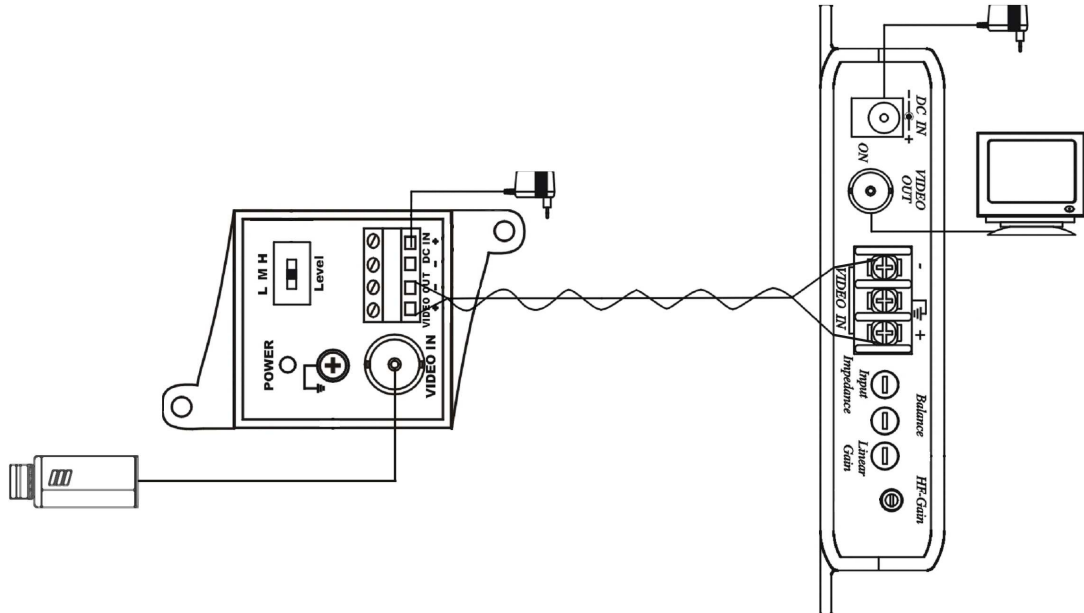
Connectors and switches description



Notice: For power supply use included power supply unit or other which fulfils all requirements. Pay extra attention to power polarization. Improper power polarization may damage the transmitter.

INSTALLATION

Connection example



NVPT-A111VT transmitter utilizes only one pair of wires for video transmission. Please pay attention to proper polarization while making connections. Pins described as "**VIDEO OUT +**" on transmitter side should be connected to pins described as a "**VIDEO IN +**" on a receiver. Similarly "**VIDEO OUT -**" should be connected to "**VIDEO IN -**".

Video signal from the camera should be connected to BNC connector described as "**VIDEO IN**".

Power supply should be fed to "**DC IN**" connector. Proper polarisation should be kept.

The power supply in-set included has female DC plug with + 12VDC in a centre pin. In order to connect that power supply additional short cable with male DC plug is required or cut off the plug and connect wires directly to the screw terminal. The wire with a white stripe is connected to + 12VDC.

Gain adjustment

Depending on transmission distance gain adjustment may be necessary. It is done by means of 3-position microswitch described as "**LEVEL**" placed on the unit case. Depending on the distance "**L**" or "**M**" level are recommended. Precise signal adjustment should be done by the receiver side (see receiver manual)

In some cases when there is no chance to adjust signal quality properly "**H**" (the highest) level could be set.

Notice: For precise transmitter and receiver adjustment oscilloscope is advisable.

NOTES

eng

NOVUS[®]

NOVUS Security Sp. z o.o.

ul. Puławska 431, 02-801 Warszawa
tel.: (22) 546 0 700, fax: (22) 546 0 719
www.novuscctv.com