

user's manual



NVAHD-2DN5204V/IR-1

NOVUS[®]

INFORMATION

EMC (2004/108/EC) and LVD (2006/95/EC) Directives



CE Marking

Our products are manufactured to comply with the requirements of the following directives and national regulations implementing the directives:

- Electromagnetic compatibility EMC 2004/108/EC.
- Low voltage LVD 2006/95/EC with further amendment. The Directive applies to electrical equipment designed for use with a voltage rating of between 50VAC and 1000VAC as well as 75VDC and 1500VDC.

WEEE Directive 2012/19/UE



Information on Disposal for Users of Waste Electrical and Electronic Equipment

This appliance is marked according to the European Directive on Waste Electrical and Electronic Equipment (2012/19/UE) and further amendments. By ensuring this product is disposed of correctly, you will help to prevent potential negative consequences for the environment and human health, which could otherwise be caused by inappropriate waste handling of this product.

The symbol on the product, or the documents accompanying the product, indicates that this appliance may not be treated as household waste. It shall be handed over to the applicable collection point for used up electrical and electronic equipment for recycling purpose. For more information about recycling of this product, please contact your local authorities, your household waste disposal service or the shop where you purchased the product.

RoHS Directive 2011/65/UE



Out of concern for human health protection and friendly environment, we assure that our products falling under RoHS Directive regulations, regarding the restriction of the use of hazardous substances in electrical and electronic equipment, have been designed and manufactured in compliance with the above mentioned regulations. Simultaneously, we claim that our products have been tested and do not contain hazardous substances whose exceeding limits could have negative impact on human health or natural environment.

Information

The device, as a part of professional CCTV system used for surveillance and control, is not designed for self installation in households by individuals without technical knowledge.

The manufacturer is not responsible for defects and damages that result from improper or inconsistent with user's manual installation of the device in the system.



SAFETY REQUIREMENTS

WARNING!

THE KNOWLEDGE OF THIS MANUAL IS AN INDESPENSIBLE CONDITION OF A PROPER DEVICE OPERATION. YOU ARE KINDLY REQUESTED TO FAMILIRIZE YOURSELF WITH THE MANUAL PRIOR TO INSTALLATION AND FURTHER DEVICE OPERATION.



WARNING!

USER IS NOT ALLOWED TO DISASSEMBLE THE CASING AS THERE ARE NO USER-SERVICEABLE PARTS INSIDE THIS UNIT. ONLY AUTHORIZED SERVICE PERSONNEL MAY OPEN THE UNIT

INSTALLATION AND SERVICING SHOULD ONLY BE DONE BY QUALIFIED SERVICE PERSONNEL AND SHOULD CONFORM TO ALL LOCAL REGULATIONS

WARNING!

PRIOR TO UNDERTAKING ANY ACTION THAT IS NOT DESCRIBED FOR THE GIVEN PRODUCT IN USER'S MANUAL AND OTHER DOCUMENTS DELIVERED WITH THE PRODUCT, OR IF IT DOES NOT ARISE FROM THE USUAL APPLICATION OF THE PRODUCT, MANUFACTURER MUST BE CONTACTED UNDER THE RIGOR OF EXCLUDING THE MANUFACTURER'S RESPONSIBILITY FOR THE RESULTS OF SUCH AN ACTION.

IMPORTANT SAFEGUARDS AND WARNINGS

1. Prior to undertaking any action please consult the following manual and read all the safety and operating instructions before starting the device.
2. Please keep this manual for the lifespan of the device in case referring to the contents of this manual is necessary;
3. All the safety precautions referred to in this manual should be strictly followed, as they have a direct influence on user's safety and durability and reliability of the device;
4. All actions conducted by the servicemen and users must be accomplished in accordance with the user's manual;
5. The device should be disconnected from power sources during maintenance procedures;
6. Usage of additional devices and components neither provided nor recommended by the producer is forbidden;
7. Mounting the device in places where proper ventilation cannot be provided (e. g. closed lockers etc.) is not recommended since it may lead to heat build-up and damaging the device itself as a consequence;
8. Mounting the camera on unstable surface or using not recommended mounts is forbidden. Improperly mounted camera may cause a fatal accident or may be seriously damaged itself. The camera must be mounted by qualified personnel with proper authorization, in accordance with this user's manual.

SAFETY REQUIREMENTS

9. Device should be supplied only from a power sources whose parameters are in accordance with those specified by the producer in the camera technical datasheet. Therefore, it is forbidden to supply the camera from a power sources with unknown parameters, unstable or not meeting producer's requirements;
10. Signal cables (conducting TV or / and telemetric signal) should be placed in a way excluding the possibility of damaging them by accident. Special attention must be paid to cables getting from the camera and connecting the power supply;
11. To avoid equipment damage, whole TV circuit should be equipped with properly made discharge-, overload- and lightning protection devices. Usage of separating transformers is advised;
12. Electric installation supplying the device should be designed to meet the specifications given by the producer in such a way that overloading is impossible;
13. User cannot repair or upgrade the equipment himself. All maintenance actions and repairs should be conducted only by qualified service personnel;
14. Unplug the camera from the power source immediately and contact the proper maintenance department when the following occurs:
- Damages to the power cord or to the plug itself;
 - Liquids getting inside the device or exposure to strong mechanical shock;
 - Device behaves in a way not described in the manual and all adjustments approved by the manufacturer and possible to apply by user himself, seem not to have any effect;
 - Camera is damaged;
 - Atypical behaviour of the camera components may be seen (heard).
16. In necessity of repairs attention to using only original replacement parts (with their parameters in accordance with those specified by the producer) should be paid. Non-licensed service and non-genuine replacement parts may cause fire or electrocution;
17. After maintenance activities tests should be run to ensure proper operation of all the functional components of the device.

Novus AHD cameras are dedicated to work with Novus AHD DVRs. Using only Novus products guarantees the highest image quality. Connecting Novus AHD cameras to DVRs from other manufacturers may decrease video quality.

Attention!
Technical changes reserved without prior notice and printing errors possible.

FOREWORD INFORMATION

1. PACKAGE CONTENTS

- NVAHD-2DN5204V/IR-1 camera
- User's manual
- A set of screws and dowels

If any of the listed equipment has been damaged during transport or if the package is incomplete, the contents of package should be packed back in to the original box. Please contact your local NOVUS distributor for further assistance.

2. MAIN CHARACTERISTIC

- Mechanical IR cut filter
- IR operation capability
- Horizontal resolution: 1080p,
- Min. illumination: from 0.0001 lx/F=1.4 (0lx with IR on)
- Lens type: motor-zoom with auto-focus $f=2.8 \sim 12\text{mm}$
- Built-in IR illuminator: 35 high-power LED
- Light sensor
- 2DNR and 3DNR digital noise reduction
- WDR - wide dynamic range
- SENS-UP - digital slow shutter (DSS)
- BLC - back light compensation
- HLC - high light compensation
- DEFOG - improves visibility during fog and rain
- The ability to work in 1080p AHD, 720P AHD and analog 960H mode
- Motor-zoom with auto-focus controlled by joystick or UTC remote controller
- Stabilization of IR LED current for extending their service life
- Other functions:
 - 4 motion detection zones,
 - 4 privacy zones,
 - mirror effect, freeze, negative image
 - defective pixels correction
 - defining the camera name
 - adjusting the brightness and sharpness
- OSD menu - also available by UTC remote controller
- Power supply: 12VDC

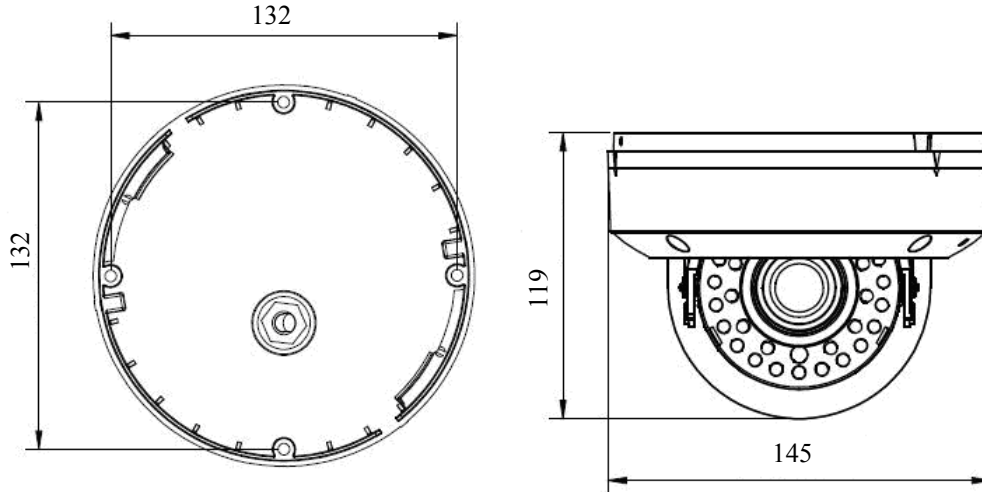
SPECIFICATION

3. SPECIFICATION

IMAGE	
Image Sensor	CMOS sensor 1/2.9" SONY
Operating mode	AHD 1080p, AHD 720p, analog 960H
Number of Effective Pixels	1920 (H) x 1080 (V)
Horizontal Resolution	1080p
Min. Illumination	0.5 lx/F1.4 - color mode, 0.1 lx/F1.4 - B/W mode, 0.001 lx/F1.4 - color mode (DSS), 0.0001 lx/F1.4 - B/W mode (DSS)
S/N Ratio	> 46 dB (AGC off)
Electronic Shutter	auto: 1/50 s ~ 1/50000 s
Digital Slow Shutter (DSS)	up to 30x
High Light Compensation (HLC)	yes
Wide Dynamic Range (WDR)	yes
Digital Noise Reduction (DNR)	2D, 3D
Defog Function (F-DNR)	yes
LENS	
Lens Type	motor-zoom, f=2.8 - 12 mm/F1.4
DAY/NIGHT	
Switching Type	mechanical IR cut filter
Switching Mode	auto, manual
Switching Level Adjustment	yes
Switching Delay	0 ~ 60 s
OTHER FUNCTIONS	
OSD	languages: Polish, English, others
Privacy Zones	4
Motion Detection	yes
Image Processing	sharpening, mirror effect, negative, picture-freeze
Remote control	Yes (optional UTC remote control)
IR LED	
LED Number	35
Range	20 m
Angle	80°
INTERFACES	
Video Output	BNC, 1.0 Vp-p, 75 Ohm
INSTALLATION PARAMETERS	
Dimensions (mm)	145 (Φ) x 109 (H)
Weight	0.81 kg
Enclosure	IK10 impact rating aluminium, white poly-carbonate bubble
Power Supply	12 VDC
Power Consumption	1 W, 3,5 W (IR on)
Operating Temperature	-30°C ~ 40°C
Degree of Protection	IP 66

SPECIFICATION/INSTALLATION

3.1. Dimensions:



3.2. View of the camera, layout of the camera items:



4. INSTALLATION

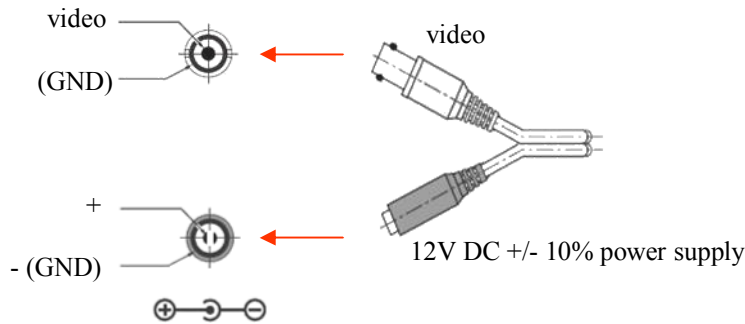
Make sure the location can support 5 times the total weight of the bullet camera. Be careful not to jam or peel insulation covering of the cable. This may result in malfunction or a fire hazard.

- Using the template, mark the position of the mounting holes
- Drill holes for the mounting screws and the hole for video and power cables
- Pass the power and video cables through the hole in the base of the camera
- Pass the cables through a previously prepared in the ceiling/wall hole
- Using screws included in the box, attach the base of the camera to the ceiling/wall
- Adjust the position of the camera and then lock them with position with suitable screws/nuts.
- Put on the camera bubble
- If necessary, make the appropriate camera settings via the OSD menu

SETTINGS/INSTALLATION

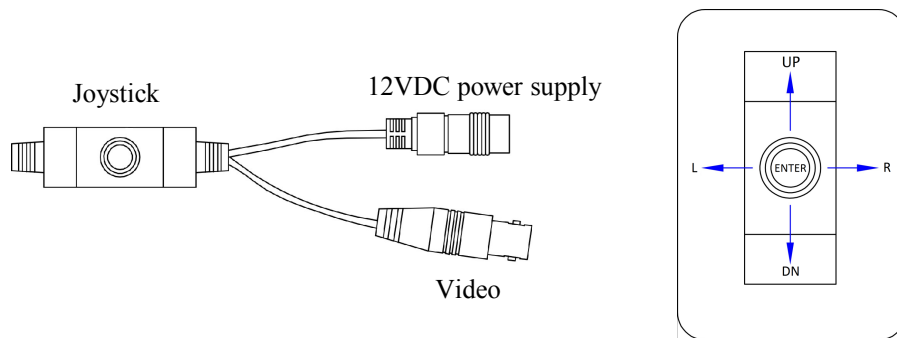
4.1. Power supply connection

NOTE: Device should be supplied only from a power sources whose parameters are in accordance with those specified by producer in the camera's technical datasheet. Therefore, it is forbidden to supply the camera from power sources whose parameters are unknown, unstable or not meeting the producer's requirements.



5. SETTINGS

The camera has an OSD menu displayed in the foreground of image. During normal operation status information can be displayed on the image. To navigate menu and make changes please use joystick located on the cable of the camera:

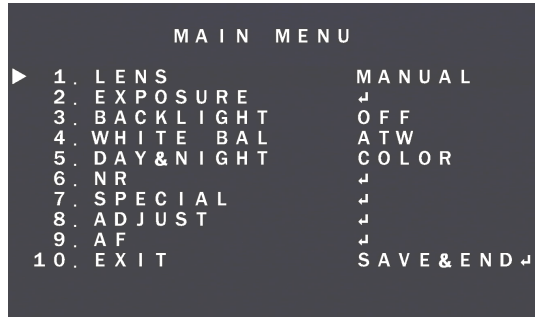


To enter the menu, press the joystick, which sends **ENTER** command to the device. To choose submenu, select the **UP**, **DOWN (UP, DN)** directions. If the sub-menu contains the symbol **↵** that indicates the opportunity to enter to the settings by pressing the **ENTER** key. To change the parameters of selected items, press **LEFT**, **RIGHT** buttons. To exit the menu and saves changes, select **SAVE&EXIT**.

The camera has a motor-zoom lens which is controlled by a joystick located at the signal cable. To set the zoom camera you should (without entering the OSD menu) use **UP** and **DOWN** buttons. Camera after changing zoom automatically focus. In the case when the camera does not focus (Auto-focus is off), you must manually adjust the focus by using the **LEFT**, **RIGHT** buttons.

5.1. Main menu

In order to enter the menu press the joystick button (**ENTER** command). The following menu is displayed on the screen:



eng

5.1.1 LENS submenu

This submenu allows to set lens parameters:

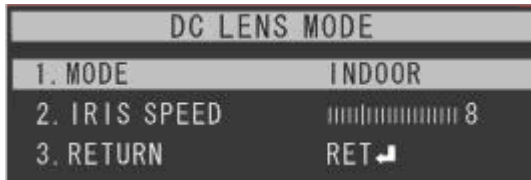
MANUAL - manual iris lens or fixed iris lens

DC - auto iris mode (DC signal control) - opens another sub-menu.

MODE - selects the operating inside mode (**INDOOR**) or outside mode (**OUTDOOR**)

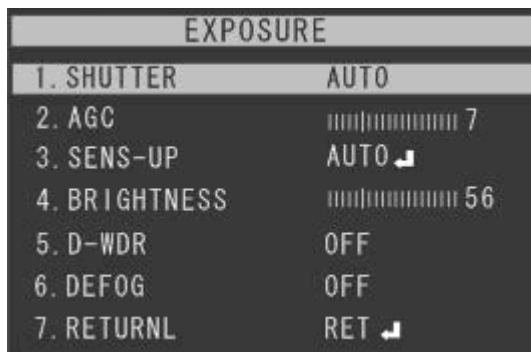
IRIS SPEED - sets the shutter speed (0 to 15).

OUTDOOR mode opens another sub-menu where you can set the minimum and maximum aperture.



5.1.2 EXPOSURE submenu

This submenu contains exposure and shutter speed settings.



SETTINGS

SHUTTER - shutter mode control. Allows you to choose the automatic mode (**AUTO**), the manual mode with adjustable shutter speed in the range of 1/25 ~ 1/50000s and ability to enable the DSS function in the range from x2 to x30, and flicker reduction (**FLK**).

AGC - Sets AGC gain. Higher gain make a scene brighter, but noise increases. It allows to adjust the gain in the range from 0 to 15.

SENSUP - Digital Slow Shutter function - helps to obtain better, brighter images in low light by selecting the multiplier of shutter speed in the range from x2 to x30 (opens another sub-menu).

BRIGHTNESS - sets brightness level in the range from 1 to 100.

D-WDR - this function allows to enable/disable wide dynamic range function that enables to observe the scene with different illumination levels. After selecting this function, there is a submenu to adjust the level in the range from 0 to 8.

DEFOG - allows you to enable correction functions of image disrupted by the influence of fog, rain, etc. It opens another sub-menu that allows you to set the zone and the degree of noise reduction.

5.1.3 BACKLIGHT submenu

These compensation functions allow to enhance visibility of the objects located in the foreground, surrounded by strongly illuminated background (**BLC**) or for enhancing visibility of the objects located near the strong light source (**HSBLC**).

BLC - function allows to enhance visibility of the objects located in the foreground, surrounded by strongly illuminated background. Pressing **ENTER** button in this mode displays the following menu:

BLC	
1. LEVEL	MIDDLE
2. AREA	↓
3. DEFAULT	↓
4. RETURN	RET ↓

Submenu presented allows to set the size and location of the area where the **BLC** function is active, furthermore it allows to set the sensitivity of the function.

HSBLC - high light compensation function. It allows to enhance visibility of the objects located near the strong, point light source. If a strong, point light source appears on the screen, function will mask it for effective observation of the scene itself (this function is recommended e.g. to observe car licence plates). Selecting HSBLC displays following screen:

HSBLC	
1. SELECT	AREA 1
2. DISPLAY	OFF
3. BLACK MASK	ON
4. LEVEL 20
5. MODE	---
6. DEFAULT	↓
7. RETURN	RET ↓

SELECT - allows to select one of the four areas of HSBLC function

DISPLAY - enables or disables previously selected zone.

BLACK MASK - enables or disables masking area

LEVEL - adjusts intensity function between 0-100

MODE - (ALL DAY/NIGHT) determines whether the function is running all the time or only at night (recommended).

DEFAULT - restores default HSBLC settings.

eng

5.1.4 WHITE BAL submenu

This feature allows to set appropriate color settings using following options:

ATW - auto tracking white balance based on color temperature.

AWC→SET - this mode enables adaptive setting of white balance. In order to obtain the optimum state under the current illumination, direct the camera at a sheet of white paper and press **ENTER**. When lighting parameters change (e.g. light bulbs changed to halogen lamps, daylight to artificial light etc.), procedure mentioned above should be repeated;

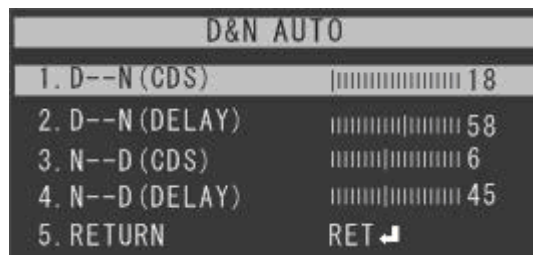
AWB - auto white balance adjustment.

MANUAL - manual mode settings. In case of inappropriate color settings for **ATW**, **AWC** modes it is possible to set **RED** and **BLUE** values manually. Color values range from 0 to 100 and are represented by sliders. Any change in the color components are instantly applied to the image.

5.1.5 D&N submenu

Allows to adjust day/night settings. Available settings are: **AUTO**, **EXT**, **COLOR**, **B/W**.

AUTO - camera switches between night (b/w) and day (color) mode automatically, depending on current illumination conditions. Settings are available at following sub-menu:



D--N (CDS) and **N--D (CDS)** - sets the illumination threshold that switches the camera from day to night mode and from night to day mode (respectively 6~255 and 0~249)

D--N (DELAY) and **N--D (DELAY)** - sets the delay between color and b/w mode switching and between b/w and color mode (0~60s)

SETTINGS

B/W - forces continuous black & white mode. Selecting displays following submenu for adjusting additional values:

B/W	
1. BURST	OFF
2. IR SMART	OFF
3. IR PWM	0
4. RETURN	RET ↵

BURST - enables/disable chrominance signal synchronization.

IR SMART - function ensuring balanced brightness level of the picture during operation with an IR illuminator (which prevents overexposure of the objects located close to the camera and its illuminator). Entering the function allows to set function area and sensitivity, in the same manner as in motion detection menu.

IR PWM - unavailable

5.1.6 NR submenu

Allows to make settings for digital noise reduction function. Pressing **ENTER** button in this mode displays the following menu:

NR	
1. 2DNR	MIDDLE
2. 3DNR	MIDDLE
3. RETURN	RET ↵

2DNR - allows to set the level of noise reduction for static parts of the image (available settings: **OFF, LOW, MIDDLE, HIGH**)

3DNR - allows to set the level of noise reduction variables (dynamic) parts of the image (available settings: **OFF, LOW, MIDDLE, HIGH**)

NOTE:

In the 960H analog mode only 2DNR noise reduction is available.

5.1.7 SPECIAL submenu

Allows to set additional camera features. Pressing **ENTER** button in this mode displays the following menu:

SPECIAL	
1. CAM TITLE	ON ↵
2. D-EFFECT	↵
3. MOTION	OFF
4. PRIVACY	OFF
5. LANGUAGE	ENG ↵
6. DEFECT	↵
7. RS485	↵
8. RETURN	RET ↵

SETTINGS

CAM TITLE - allows to enter a string of characters that will be displayed on the screen, e.g. as camera title. Screen contains mainly alphanumerical characters, which may be used in camera's title. Select desired character and press **ENTER** key. Currently edited title is visible at the bottom of the screen. Line above it contains buttons for editing the title. To enable particular functions, please highlight them as normal characters and confirm by pressing **ENTER**. Button functions are described below:

← - moves character highlight cursor left.

→ - moves character highlight cursor right.

POS - adjusts the position of entered characters.

CLR - erases the whole title.

END - exits title editing menu.

D-EFFECT - submenu allows to set additional digital functions:

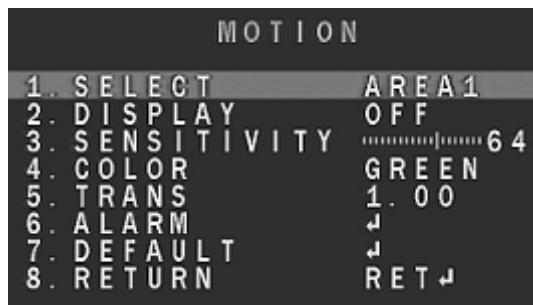
FREEZE - holds the picture currently displayed.

MIRROR - allows to change viewpoint as **MIRROR**, **ROTATE**, **V-FLIP**.

NEG. IMAGE - enables/disables displaying negative video image.

MOTION - allows (provided that **ON** option is selected) to turn a built-in motion detection feature on or off. Motion detection may simultaneously be conducted in four independent zones (with their size and location selectable by user). Detection of motion displays an „**MOTION DETECTED**” information superimposed on the screen.

After selecting **ON** and pressing **ENTER** adjust motion detection settings is displayed, as depicted below:



SELECT - selects the number of the area for further settings.

DISPLAY - turns on/off particular area. Also allows to set the position and size of the area.

SENSITIVITY - refers to sensitivity

COLOR - sets the color visualization of motion in a particular area

TRANS - allows to set the transparency level of visualization

ALARM - displays submenu where user can set motion visualization mode (**OFF**, **BLOCK**, **OUTLINE**, **ALL**), enable or disable displaying „**MOTION DETECTED**” information and set its display time (1 ~ 15 s). Options **ALARM OUT** and **ALARM SIG** are inactive.

DEFAULT - restores default settings.

SETTINGS

PRIVACY - allows to enable (by selecting **ON**) privacy zones. Part of the screen may be masked using four rectangular zones. Selecting **ON** and pressing **ENTER** displays a sub-menu, containing four masks positions.

P R I V A C Y	
1. SELECT	AREA 1
2. DISPLAY	OFF
3. COLOR	WHITE
4. TRANS	1.00
5. DEFAULT	↓
6. RETURN	RET ↓

SELECT - selects the number of the area for further settings.

DISPLAY - turns on/off particular area. Available masking methods: with overlaid color, color reversal or tessellation (**COLOR**, **INV**, **MOSAIC**). Pressing **ENTER** after selecting **COLOR**, **INV** or **MOSAIC** option will open a new submenu which allows to set the position and size of the zone.

COLOR - sets the color masking (available only if **COLOR** option was chosen).

TRANS - allows you to set the degree of transparency mask (available only if **COLOR** option was chosen).

DEFAULT - restores default settings.

LANGUAGE - switches between OSD languages: Polish, English, Russian and others.

DEFECT - allows to adjust parameters used in Dead Pixel Correction function:

LIVE DPC - sets parameters of the defective pixel correction function in real time. Selecting **ON** and pressing **ENTER** button opens a submenu for setting the gain level and the level of correction.

D E F E C T	
1. LIVE DPC	ON ↓
2. WHITE DPC	ON ↓
3. BLACK DPC	ON ↓
4. RETURN	RET ↓

WHITE DPC - allows to a correct "hot pixels". Selecting **ON** and pressing **ENTER** button opens a submenu where you can specify the size and location of the zone in which the correction will be made (position **POS/SIZE**), then define the level of correction and amplification (**LEVEL** and **AGC** positions) and set **SENS-UP** option (if camera uses **SENS-UP** position). Then select **START** position and press **ENTER**, cover the lens tightly and press **ENTER** again. After correcting process the camera returns to the **DPC WHITE** menu. In the **DPC VIEW** you can check the correction effect and, if needed repeat the operation with different settings.

BLACK DPC - allows to correct (mask) dead pixels. Selecting ON and pressing ENTER button opens a submenu which define the size and location of the zone in which the correction is made (position POS/SIZE), then define the compensation level (position LEVEL). Then select **START** position and press **ENTER** button and wait for the end of the operation. In the **DPC VIEW** check the correction effect and, if needed repeat the operation with different settings.

RS485 - option disabled

5.1.8 ADJUST submenu

It allows to perform additional image adjustment. After pressing **ENTER**, the following submenu is displayed:

ADJUST	
1. SHARPNESS	AUTO ↵
2. MONITOR	LCD ↵
3. LSC	ON
4. VIDEO OUT	PAL
5. RETURN	RET ↵

SHARPNESS - allows to disable (**OFF**) and enable (**AUTO**) sharpness correction function. After selecting **AUTO** and pressing **ENTER**, next submenu is displayed, where it is possible to set the degree of correction and gain ranges for compensation

MONITOR - corrects the image parameters depending on chosen monitor (LCD monitor or CRT monitor). After pressing **ENTER**, the submenu is displayed where fine adjustments can be made.

LSC - enables and disables the function of increasing the brightness of the image edge

VIDEO OUT - chooses a system in which the camera works (PAL or NTSC)

INFORMATION:

For camera mode analog 960H in the **ADJUST** menu there are two additional items:

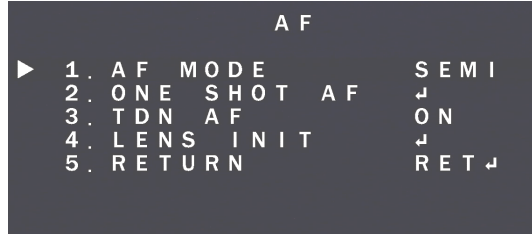
MONITOR OUT - switches the aspect ratio between 4:3 and 16:9

COMET - option disabled

SETTINGS

5.1.9 Camera Setup Menu AF

Allow to configure Auto-Focus function



AF MODE - on/off Autofocus feature (**AUTO/SEMI/MANUAL**). Default mode is **SEMI**. In **SEMI** mode camera will automatically sharpen after optical zoom position is changed by user. In **AUTO** mode camera will sharpen every time when new object show up on the view. **MANUAL** mode, user have to sett zoom and sharpness by manual.

ONE SHOT AF - Camera will auto-focus for current view.

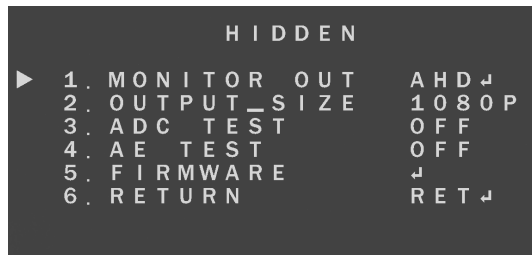
TDN AF - function that allow camera to sharpen, when switches from **NIGHT/DAY** and **DAY/NIGHT** mode (**ON/OFF**)

LENS INIT - initialize the lens in the full zoom range.

RETURN - return to the previous menu.

5.1.10 Camera Setup Menu HIDDEN

The camera has a menu of additional settings, which you access through the proper sequence of key joystick. To access **HIDDEN** should invade **EXPOSURE** menu, click the button three times **RIGHT**, and then press **ENTER**.



MONITOR OUT - selecting modes of operation of the camera (**AHD/CVBS**). Default mode is **AHD**

OUTPUT SIZE - select the resolution in which it is to operate the camera in AHD mode (**1080p / 720p**). The default mode is **1080p**

ADC TEST - option that displays data from ADC converter for testing purposes.

AE TEST - option that displays data from Auto Exposure settings, for testing purposes.

FIRMWARE - option that displays the current version of the camera firmware.

RETURN - return to the previous menu.

NOVUS[®]

AAT Holding S.A.

ul. Puławska 431, 02-801 Warszawa
tel.: (22) 546 0 700, fax: (22) 546 0 719
www.novuscctv.com

instrukcja obsługi



NVAHD-2DN5204V/IR-1

NOVUS[®]

INFORMACJE

Dyrektywy EMC (2004/108/EC) i LVD (2006/95/EC)



Oznakowanie CE

Nasze produkty spełniają wymagania zawarte w dyrektywach oraz przepisach krajowych wprowadzających dyrektywy:

- Kompatybilność elektromagnetyczna EMC 2004/108/EC.
- Niskonapięciowa LVD 2006/95/EC. Dyrektywa ma zastosowanie do sprzętu elektrycznego

przeznaczonego do użytkowania przy napięciu nominalnym od 50VAC do 1000VAC oraz od 75VDC do 1500VDC.

Dyrektywa WEEE 2012/19/UE

Informacja dla użytkowników o pozbywaniu się urządzeń elektrycznych i elektronicznych



Niniejszy produkt został oznakowany zgodnie z Dyrektywą WEEE (2012/19/UE) oraz późniejszymi zmianami, dotyczącą zużytego sprzętu elektrycznego i elektronicznego. Zapewniając prawidłowe złomowanie przyczyniają się Państwo do ograniczenia ryzyka wystąpienia negatywnego wpływu produktu na środowisko i zdrowie ludzi, które mogłyby zaistnieć w przypadku niewłaściwej utylizacji urządzenia.

Symbol umieszczony na produkcie lub dołączonych do niego dokumentach oznacza, że nasz produkt nie jest klasyfikowany jako odpad z gospodarstwa domowego. Urządzenie należy oddać do odpowiedniego punktu utylizacji odpadów w celu recyklingu. Aby uzyskać dodatkowe informacje dotyczące recyklingu niniejszego produktu należy skontaktować się z przedstawicielem władz lokalnych, dostawcą usług utylizacji odpadów lub sklepem, gdzie nabyto produkt.

Dyrektywa RoHS 2011/65/UE

Informacja dla użytkowników dotycząca ograniczenia użycia substancji niebezpiecznych w sprzęcie elektrycznym i elektronicznym.



W trosce o ochronę zdrowia ludzi oraz przyjazne środowisko zapewniamy, że nasze produkty podlegające przepisom dyrektywy RoHS, dotyczącej użycia substancji niebezpiecznych w sprzęcie elektrycznym i elektronicznym, zostały zaprojektowane i wyprodukowane zgodnie z wymaganiami tej dyrektywy. Jednocześnie zapewniamy, że nasze produkty zostały przetestowane i nie zawierają substancji niebezpiecznych w ilościach mogących niekorzystnie

wpływać na zdrowie człowieka lub środowisko naturalne.

Informacja

Urządzenie, jako element profesjonalnego systemu telewizji dozorowej służącego do nadzoru i kontroli, nie jest przeznaczone do samodzielnego montażu w gospodarstwach domowych przez osoby nie posiadające specjalistycznej wiedzy.

Obowiązek konsultowania się z Producentem przed wykonaniem czynności nieprzewidzianej instrukcją obsługi albo innymi dokumentami:

Przed wykonaniem czynności, która nie jest przewidziana dla danego Produktu w instrukcji obsługi, innych dokumentach dołączonych do Produktu lub nie wynika ze zwykłego przeznaczenia Produktu, należy, pod rygorem wyłączenia odpowiedzialności Producenta za następstwa takiej czynności, skontaktować się z Producentem.



UWAGI I OSTRZEŻENIA

UWAGA!

ZNAJOMOŚĆ NINIEJSZEJ INSTRUKCJI JEST NIEZBĘDNYM WARUNKIEM PRAWIDŁOWEJ EKSPLOATACJI URZĄDZENIA.

PROSIMY O ZAPOZNANIE SIĘ Z NIĄ PRZED PRZYSTĄPIENIEM DO INSTALACJI I OBSŁUGI KAMERY.



UWAGA !

NIE WOLNO DOKONYWAĆ ŻADNYCH SAMODZIELNYCH NAPRAW. WSZYSTKIE NAPRAWY MOGĄ BYĆ REALIZOWANE JEDYNIEM PRZEZ WYKWALIFIKOWANYCH PRACOWNIKÓW SERWISU.

pl

WARUNKI BEZPIECZEŃSTWA

1. Przed zainstalowaniem i rozpoczęciem eksploatacji należy dokładnie zapoznać się z niniejszą instrukcją obsługi i zawartymi w niej wymogami bezpieczeństwa;
2. Uprasza się o zachowanie instrukcji na czas eksploatacji kamery na wypadek konieczności odniesienia się do zawartych w niej treści;
3. Należy skrupulatnie przestrzegać wymogów bezpieczeństwa opisanych w instrukcji, gdyż mają one bezpośredni wpływ na bezpieczeństwo użytkowników i trwałość oraz niezawodność urządzenia;
4. Wszystkie czynności wykonywane przez instalatorów i użytkowników muszą być realizowane zgodnie z opisem zawartym w instrukcji;
5. W czasie czynności konserwatorskich urządzenie musi być odłączone od zasilania;
6. Nie wolno stosować żadnych dodatkowych urządzeń lub podzespołów nie przewidzianych i nie zalecanych przez producenta;
7. Nie należy instalować tego urządzenia w miejscu, gdzie nie można zapewnić właściwej wentylacji (np. zamknięte szafki, itp.), co powoduje zatrzymanie się ciepła i w konsekwencji może doprowadzić do uszkodzenia urządzenia;
8. Nie wolno umieszczać kamery na niestabilnych powierzchniach lub nie zalecanych przez producenta uchwytych. Źle zamocowana kamera może być przyczyną groźnego dla ludzi wypadku lub sama ulec poważnemu uszkodzeniu. Kamera musi być instalowana przez wykwalifikowany personel o odpowiednich uprawnieniach według zaleceń podanych w niniejszej instrukcji;
9. Urządzenie może być zasilane jedynie ze źródeł o parametrach zgodnych ze wskazanymi przez producenta w danych technicznych kamery. Dlatego też, zabrania się zasilania kamery ze źródeł o nieznanych, niestabilnych lub niezgodnych z wymaganiami określonymi przez producenta parametrach;

UWAGI I OSTRZEŻENIA

10. Przewody sygnałowe i zasilające powinny być prowadzone w sposób wykluczający możliwość ich przypadkowego uszkodzenia. Szczególną uwagę należy zwrócić na miejsce wyprowadzenia przewodów z kamery oraz na miejsce przyłączenia do źródła zasilania.
11. W celu uniknięcia uszkodzenia urządzenia, cały tor wizyjny powinien być wyposażony w prawidłowo wykonane układy ochrony przed zakłóceniami, przepięciami i wyładowaniami atmosferycznymi. Zalecane jest również stosowanie transformatorów separujących.
12. Instalacja elektryczna zasilająca kamerę powinna być zaprojektowana z uwzględnieniem wymagań podanych przez producenta tak, aby nie doprowadzić do jej przeciążenia;
13. Użytkownik nie może dokonywać żadnych napraw lub modernizacji urządzenia. Wszystkie naprawy mogą być wykonywane jedynie przez wykwalifikowanych pracowników autoryzowanego serwisu;
14. Należy niezwłocznie odłączyć kamerę od źródła zasilania i przewodów sygnałowych oraz skontaktować się z właściwym serwisem w następujących przypadkach:
 - Uszkodzenia przewodu zasilającego lub wtyczki tego przewodu;
 - Przedostania się cieczy do środka urządzenia lub gdy zostało ono narażone na silny uraz mechaniczny;
 - Urządzenie działa w sposób odbiegający od opisanego w instrukcji, a regulacje dopuszczone przez producenta i możliwe do samodzielnego przeprowadzenia przez użytkownika nie przynoszą spodziewanych rezultatów;
 - Obudowa została uszkodzona;
 - Można zaobserwować nietypowe zachowanie kamery.
15. W przypadku konieczności naprawy urządzenia należy upewnić się, czy pracownicy serwisu użyli oryginalnych części zamiennych o charakterystykach elektrycznych zgodnych z wymaganiami producenta. Nieautoryzowany serwis i nieoryginalne części mogą być przyczyną powstania pożaru lub porażenia prądem elektrycznym;
16. Po wykonaniu czynności serwisowych należy przeprowadzić testy urządzenia i upewnić się co do poprawności działania wszystkich podzespołów funkcjonalnych kamery.

Kamery AHD marki Novus dedykowane są do współpracy z rejestratorami AHD marki Novus. Tylko w połączeniu z nimi gwarantowany jest najwyższy poziom jakości obrazu. Podłączenie kamer AHD marki Novus do rejestratorów AHD innych producentów może skutkować obniżeniem jakości obrazu wideo.

Uwaga!

Producent zastrzega sobie możliwość wystąpienia błędów w druku oraz zmian parametrów technicznych bez uprzedniego powiadomienia.

1. ZAWARTOŚĆ ZESTAWU

- Kamera NVAHD-2DN5204V/IR-1
- Instrukcja obsługi
- Akcesoria montażowe

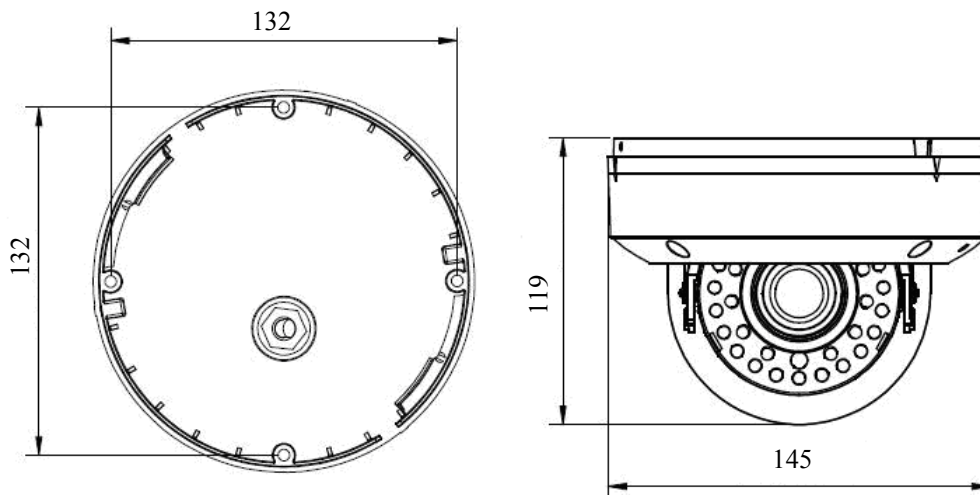
Przed przystąpieniem do instalacji należy sprawdzić zawartość zestawu z powyższym wykazem. W przypadku stwierdzenia braków należy zaniechać instalacji i skontaktować się z dystrybutorem.

2. CHARAKTERYSTYKA OGÓLNA

- Mechaniczny filtr podczerwieni
- Możliwość pracy w podczerwieni
- Rozdzielczość pozioma: 1080p,
- Czulość: od 0.0001 lx/F=1.4 (0lx z wł. oświetlaczem IR)
- Typ obiektywu: motor-zoom, auto-focus, $f=2.8 \sim 12\text{mm}$
- Wbudowany oświetlacz podczerwieni 35 diod IR LED
- Czujnik światła widzialnego
- 2DNR i 3DNR - cyfrowa redukcja szumu
- WDR - szeroki zakres dynamiki
- SENS-UP - wydłużona migawka (DSS)
- BLC - kompensacja jasnego tła
- HLC - redukcja efektu oślepienia kamery
- DEFOG - redukcja wpływu mgły
- Możliwość pracy w trybie AHD 1080p, 720p i analogowym 960H
- Funkcja motor-zoom i auto-focus sterowana za pomocą joysticka lub za pomocą pilota UTC
- Stabilizacja prądu diod wydłużająca ich żywotność i zapobiegająca ich uszkodzeniu
- Dodatkowe funkcje:
 - 4 strefy detekcji ruchu,
 - 4 strefy prywatności,
 - odbicie lustrzane, zamrożenie obrazu, obraz negatywowy
 - maskowanie uszkodzonych pikseli
 - definiowanie nazwy kamery
 - regulacja jasności i ostrości obrazu
- Menu ekranowe - dostępne również za pomocą pilota UTC
- Zasilanie 12VDC

DANE TECHNICZNE**3. DANE TECHNICZNE**

OBRAZ	
Przetwornik obrazu	matryca CMOS 1/2.9" SONY
Tryb pracy	AHD 1080p, AHD 720p, analog 960H
Liczba efektywnych pikseli	1920 (H) x 1080 (V)
Rozdzielczość pozioma	1080p
Czułość	0.5 lx/F1.4 - tryb kolorowy, 0.1 lx/F1.4 - tryb czarno biały, 0.001 lx/F1.4 - tryb kolorowy (DSS), 0.0001 lx/F1.4 - tryb czarno biały (DSS)
Stosunek sygnału do szumu	> 46 dB (wyłączona ARW)
Elektroniczna migawka	manualna/automatyczna: 1/25 s ~ 1/50000 s
Wydłużona migawka (DSS)	do 30x
Redukcja efektu oślepienia kamery (HLC)	tak
Szeroki zakres dynamiki (WDR)	tak
Cyfrowa redukcja szumu (DNR)	2D, 3D
Funkcja Defog (F-DNR)	tak
OBIEKTYW	
Typ obiektywu	motor-zoom, f=2.8 - 12 mm/F1.4
DZIEŃ/NOC	
Rodzaj przełączania	mechaniczny filtr podczerwieni
Tryb przełączania	automatyczny, manualny
Regulacja poziomu przełączania	tak
Opóźnienie przełączania	0 ~ 60 s
POZOSTAŁE FUNKCJE	
Menu ekranowe	języki: polski, angielski, inne
Strefy prywatności	4
Detekcja ruchu	tak
Obróbka obrazu	wyostrzanie, odbicie lustrzane, negatyw, zamrożenie obrazu
Zdalne sterowanie	Tak (opcjonalny pilot UTC)
OŚWIETLACZ IR	
Liczba LED	35
Zasięg	20 m
Kąt świecenia	80°
INTERFEJSY	
Wyjście wideo	BNC, 1.0 Vp-p, 75 Ohm
PARAMETRY INSTALACYJNE	
Wymiary (mm)	145 (Φ) x 109 (wys.)
Masa	0.81 kg
Obudowa	stopień ochrony IK10 aluminiowa, w kolorze białym klosz z poliwęglanu
Zasilanie	12 VDC
Pobór mocy	1 W, 3,5 W (IR wł.)
Temperatura pracy	-30°C ~ 40°C
Klasa szczelności	IP 66

DANE TECHNICZNE / INSTALACJA**3.1. Wymiary kamery:****3.2. Wygląd i rozmieszczenie ważnych elementów kamery:****4. INSTALACJA**

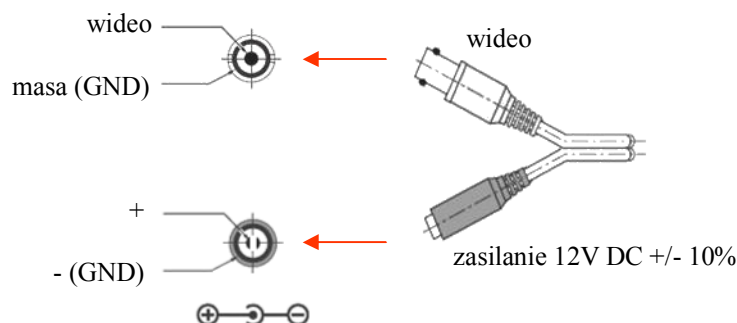
Przed rozpoczęciem instalacji należy zapoznać się z produktem, z jego parametrami i sposobem instalacji.

- Posługując się szablonem montażowym zaznaczyć miejsca pod otwory na wkręty mocujące
- Wywiercić otwory na wkręty mocujące i otwór pod kabel wideo i zasilający
- Przełożyć kable zasilania i wideo przez otwór w podstawie kamery
- Przełożyć przewody przez przygotowany w suficie/ścianie otwór
- Za pomocą wkrętów, znajdujących się w pudełku, przykręcić podstawę kamery do powierzchni sufitu/ściany
- Wyregulować położenie kamery, a następnie zablokować takie położenie odpowiednimi śrubami/nakrętkami.
- Założyć kopułę kamery na podstawę.
- W razie potrzeby dokonać odpowiednich ustawień kamery za pomocą menu ekranowego

INSTALACJA/USTAWIENIA

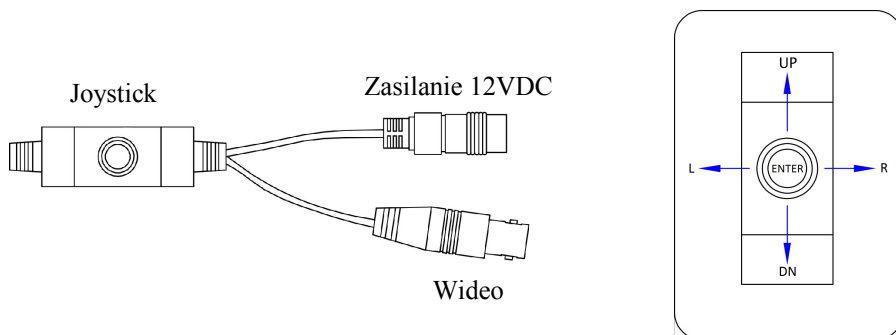
4.1 Podłączanie zasilania

UWAGA: Kamerę należy zasilac z źródeł o odpowiednim napięciu i wydajności prądowej. Zastosowanie źródła zasilania o nieodpowiednich parametrach może skutkować nieprawidłową pracą urządzenia lub jego uszkodzeniem.



5. USTAWIENIA

Kamera posiada menu ekranowe wyświetlane na tle obrazu. Podczas normalnej pracy kamery na obrazie mogą być wyświetlane informacje statusowe. Do nawigowania po menu ekranowym i dokonywania zmian służy joystick umieszczony na kablu kamery:

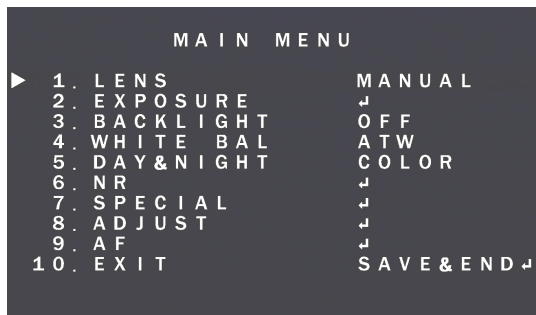


W celu wejścia do menu należy nacisnąć joystick, co oznacza dla urządzenia wykonanie polecenia **ENTER**. W celu wyboru poszczególnych podmenu należy wybrać przyciski **GÓRA, DÓŁ (UP, DN)**. Jeżeli przy podmenu znajduje się symbol \leftarrow oznacza to możliwość wejścia do jego ustawień poprzez naciśnięcie przycisku **ENTER**. W celu zmiany parametrów wybranych pozycji należy wybrać przyciski **LEWO, PRAWO**. W celu opuszczenia menu kamery z zapisaniem dokonanych zmian należy wybrać pozycję **SAVE&EXIT**.

Kamera posiada obiektyw motor-zoom który jest sterowany za pomocą joysticka umieszczonego na przewodzie sygnałowym. Aby ustawić pole widzenia kamery (zoom) należy (bez wchodzenia do menu OSD) posługiwać się przyciskami **GÓRA, DÓŁ (UP, DN)**. Kamera po zmianie krotności zoomu automatycznie ustawi ostrość. W przypadku kiedy kamera nie ustawiła ostrości (wyłączona funkcja **Auto-focus**), należy samodzielnie ustawić ostrość korzystając z przycisków **LEWO, PRAWO**.

5.1. Menu główne

Aby wejść do menu kamery należy przycisnąć joystick (polecenie **ENTER**). Na ekranie zostanie wyświetlone poniższe menu główne:



5.1.1 Podmenu LENS (ustawienia obiektywu)

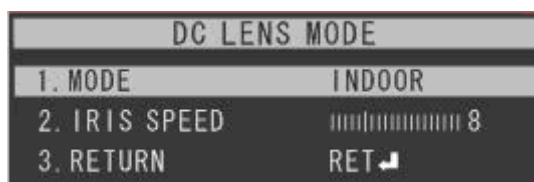
Podmenu pozwala na wybór typu obiektywu współpracującego z kamerą:

MANUAL - obiektyw z przysłoną ręczną lub stałą.

DC - automatyczny tryb pracy przysłony (sterowanie sygnałem stałoprądowym) - otwiera kolejne podmenu.

MODE - wybiera tryb pracy wewnątrz (**INDOOR**) lub na zewnątrz (**OUTDOOR**) pomieszczeń

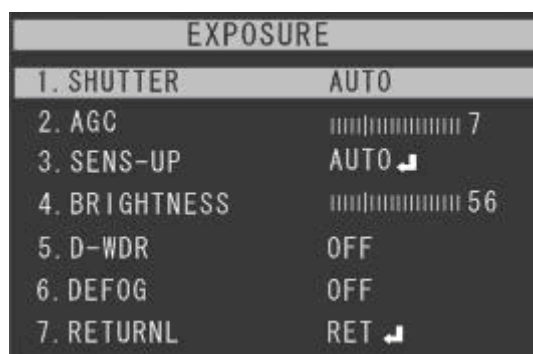
IRIS SPEED ustawia prędkość przysłony (od 0 do 15).



Tryb **OUTDOOR** otwiera kolejne podmenu, gdzie można ustawić minimalną i maksymalną wartość przysłony.

5.1.2 Podmenu EXPOSURE (ekspozycja)

Podmenu zawiera ustawienia ekspozycji i migawki.



USTAWIENIA

SHUTTER - wybór trybu pracy migawki. Pozwala na wybranie automatycznego trybu pracy (**AUTO**), trybu ręcznego z regulacją migawki w zakresie 1/25~1/50000 s i możliwością włączenia funkcji DSS w zakresie od 2x do 30x, oraz trybu redukcji migotania w warunkach pulsującego oświetlenia (**FLK**).

AGC - funkcja automatycznej regulacji wzmocnienia. Pozwala na regulację wzmocnienia w zakresie od 0 do 15.

SENSUP - (wydłużona migawka) pozwala na wybranie mnożnika czasu otwarcia migawki (1/50-1/100000s), w zakresie od x2 do x30 (otwiera się kolejne podmenu).

BRIGHTNESS - zmienia poziom odniesienia sterowania przysłoną - „jasność” (od 1 do 100).

D-WDR - pozwala na włączenie i zmianę poziomu czułości funkcji szerokiego zakresu dynamiki. Po wybraniu funkcji dostępne jest podmenu regulacji czułości w zakresie od 0 do 8.

DEFOG - pozwala na włączenie funkcji korekcji obrazu zakłóconego wpływem mgły, deszczu itp. Otwiera kolejne podmenu umożliwiające ustawienie strefy działania funkcji i stopnia redukcji zakłóceń.

5.1.3 Podmenu BACKLIGHT (ekspozycja)

Funkcje kompensacji jasnego tła pozwalają uwypuklić obiekt znajdujący się na pierwszym planie w obrazie przy silnie oświetlonym tle (**BLC**), lub obserwować obiekty znajdujące się w pobliżu silnych punktowych źródeł światła (**HSBLC**).

BLC - funkcja kompensacji jasnego tła pozwalająca uwypuklić obiekt znajdujący się na pierwszym planie w obrazie przy silnie oświetlonym tle. Po wybraniu tej opcji dostępne jest poniższe podmenu:

BLC	
1. LEVEL	MIDDLE
2. AREA	↵
3. DEFAULT	↵
4. RETURN	RET↵

W tym podmenu mamy możliwość ustawienia obszaru działania funkcji **BLC** oraz poziomu kompensacji.

HSBLC - funkcja kompensacji jasnych źródeł światła mogących oślepić kamerę. W momencie, gdy na ekranie pojawi się znacznie jaśniejsze od otoczenia źródło światła, zostanie ono wyeliminowane (poprzez zasłonięcie) co umożliwi efektywną obserwację sceny. Funkcja ta jest bardzo przydatna, w przypadku obserwacji np. tablic rejestracyjnych samochodów. Wybranie opcji otwiera następujące podmenu:

HSBLC	
1. SELECT	AREA 1
2. DISPLAY	OFF
3. BLACK MASK	ON
4. LEVEL 20
5. MODE	---
6. DEFAULT	↵
7. RETURN	RET↵

SELECT - umożliwia wybór jednego z czterech obszarów działania funkcji HSBLC

DISPLAY - włącza lub wyłącza wybraną wcześniej strefę.

BLACK MASK - włącza lub wyłącza maskowanie obszarów

LEVEL - odpowiada za intensywność działania funkcji w zakresie 0-100.

MODE - (ALL DAY/NIGHT) określa czy funkcja ma działać przez cały czas czy tylko w nocy (ustawienie zalecane).

DEFAULT - przywraca domyślne ustawienia funkcji.

5.1.4 Podmenu **WHITE BAL (balans bieli)**

Funkcja balansu bieli pozwala na właściwą interpretację kolorów dla światła o różnej temperaturze barwowej.

ATW - automatyczne ustawienie poziomu bieli z ciągłym śledzeniem temperatury barwowej.

AWC→SET - adaptacyjne ustawienia balansu bieli. W celu uzyskania optymalnych ustawień balansu bieli należy skierować kamerę na białą kartkę papieru i nacisnąć przycisk **SET**. W przypadku zmiany parametrów oświetlenia (zmiana świetlówek na światła żarowe, dziennego na sztuczne itp.) procedurę należy powtórzyć.

AWB - automatyczne ustawienie poziomu bieli

MANUAL - tryb ustawień ręcznych. W przypadku nieprawidłowego odwzorowania kolorów dla trybów **ATW**, **AWC** można ręcznie ustawić poziom składowych kolorów: czerwonej (**RED**) i niebieskiej (**BLUE**). Zakres regulacji poszczególnych składowych wynosi od 0 do 100 i jest obrazowany za pomocą suwaków. Zmiany składowych widoczne są w obrazie na bieżąco. Suwaki zmiany składowych są aktywne jedynie w trybie ręcznym funkcji balansu bieli.

5.1.5 Podmenu **D&N (Dzień/Noc)**

Pozwala na dokonanie ustawień dotyczących funkcji dzień/noc. Możliwe ustawienia to: **AUTO**, **EXT**, **COLOR**, **B/W**.

AUTO - kamera automatycznie przechodzi z trybu kolorowego w tryb czarno-biały i odwrotnie wraz ze zmieniającymi się warunkami oświetleniowymi. Dla tej opcji po naciśnięciu przycisku **ENTER** dostępne jest poniższe podmenu:

D&N AUTO	
1. D--N (CDS)	18
2. D--N (DELAY)	58
3. N--D (CDS)	6
4. N--D (DELAY)	45
5. RETURN	RET ↵

D--N (CDS) i N--D (CDS) - wybór progu przełączania się kamery pomiędzy trybem pracy kolorowym a czarno-białym oraz między trybem czarno-białym a kolorowym (odpowiednio 6~255 i 0~249)

D--N (DELAY) i N--D (DELAY) - wybór prędkości przełączania się kamery pomiędzy trybem pracy kolorowym a czarno-białym oraz między czarno-białym a kolorowym (0~60s)

USTAWIENIA

B/W - kamera na stałe pracuje w trybie czarno-białym. Dla tej opcji po naciśnięciu przycisku SET dostępne jest poniższe podmenu:

B/W	
1. BURST	OFF
2. IR SMART	OFF
3. IR PWM	0
4. RETURN	RET ↵

BURST - włączenie lub wyłączenie sygnału BURST (wskaźnik obecności kolorów).

IR SMART - funkcja zapewniająca zrównoważony poziom jasności obrazu przy pracy oświetlacza IR. Po włączeniu funkcji jest pojawia się kolejne podmenu umożliwiające ustawienie obszaru działania funkcji oraz jej poziomu czułości.

IR PWM - funkcja nieaktywna

5.1.6 Podmenu NR (redukcja szumów)

Pozwala na dokonywanie ustawień funkcji cyfrowej redukcji szumów. Po wybraniu pozycji i naciśnięciu przycisku **ENTER** pojawi się poniższe podmenu:

2DNR - umożliwia ustawienie poziomu redukcji szumów dla statycznych partii obrazu

NR	
1. 2DNR	MIDDLE
2. 3DNR	MIDDLE
3. RETURN	RET ↵

(dostępne ustawienia: **OFF, LOW, MIDDLE, HIGH**)

3DNR - umożliwia ustawienie poziomu redukcji szumów dla zmiennych (dynamicznych) partii obrazu (dostępne ustawienia: **OFF, LOW, MIDDLE, HIGH**)

UWAGA:

W trybie pracy analog 960H dostępna jest tylko redukcja szumów 2DNR.

5.1.7 Podmenu SPECIAL (funkcje dodatkowe)

Pozwala na ustawienia dodatkowych funkcji kamery. Po wybraniu pozycji i naciśnięciu przycisku **ENTER** pojawi się poniższe podmenu:

SPECIAL	
1. CAM TITLE	ON ↵
2. D-EFFECT	↵
3. MOTION	OFF
4. PRIVACY	OFF
5. LANGUAGE	ENG ↵
6. DEFECT	↵
7. RS485	↵
8. RETURN	RET ↵

USTAWIENIA

CAM TITLE - Po wybraniu pozycji **ON** i naciśnięciu przycisku **ENTER** mamy możliwość ustawienia ciągu znaków wyświetlanych na ekranie jako np. nazwa danej kamery. Możliwe jest wprowadzenie do 15 znaków. Znaki wybiera się nawigując po wirtualnej klawiaturze. Główną część zajmują znaki alfanumeryczne, które można użyć w nazwie. Zatwierdzenie wybranego znaku odbywa się poprzez naciśnięcie przycisku **ENTER**. Aktualnie edytowana nazwa wyświetlana jest na samym dole okna. Jeden wiersz powyżej zgrupowane są ikony funkcyjne. Aby uruchomić działanie poszczególnych funkcji należy, tak jak normalne znaki, wybrać kursorami i zatwierdzić przyciskiem **ENTER**. Działanie poszczególnych funkcji jest następujące:

← - przemieszczanie kursora w lewo po poszczególnych znakach nazwy.

→ - przemieszczanie kursora w prawo po poszczególnych znakach nazwy

POS - ustawienie przy pomocy joysticka pozycji wyświetlania znaków.

CLR - wykasowanie całej wprowadzonej dotychczas nazwy.

END - wyjście z trybu edycji nazwy.

D-EFFECT - podmenu zawierające dodatkowe cyfrowe funkcje obrazu:

FREEZE - "zamrożenie" obrazu na klatce wyświetlanej w chwili wybrania opcji.

MIRROR - zmienia sposób wyświetlania obrazu: odbicie lustrzane (**MIRROR**), obrót o 180° (**ROTATE**), przerzucenie w pionie (**V-FLIP**).

NEG. IMAGE - włączenie (**ON**), wyłączenie (**OFF**) negatywowego wyświetlania obrazu.

MOTION - podmenu pozwala na włączenie wbudowanej w kamerze funkcji detekcji ruchu. Detekcja może być sprawdzana w czterech niezależnych strefach o zdefiniowanej przez użytkownika powierzchni i położeniu. Aktywacja funkcji detekcji ruchu powoduje wyświetlenie informacji „**MOTION DETECTED**” na tle obrazu z kamery, oraz zaznaczenie strefy w której nastąpiła detekcja.

Po wybraniu pozycji **ON** i naciśnięciu przycisku **ENTER** pojawi się poniższe podmenu pozwalające dopasować ustawienia dotyczące funkcji detekcji ruchu:

MOTION	
1. SELECT	AREA 1
2. DISPLAY	OFF
3. SENSITIVITY 6 4
4. COLOR	GREEN
5. TRANS	1. 00
6. ALARM	↓
7. DEFAULT	↓
8. RETURN	RET ↓

SELECT - umożliwia wybór ustawianej aktualnie strefy detekcji ruchu

DISPLAY - umożliwia wyłączenie i włączenie stref, oraz ustawienie ich rozmiaru i położenia

SENSITIVITY - ustawianie czułości detekcji dla ustawianej aktualnie strefy

COLOR - ustawia kolor wizualizacji ruchu w ustawianej strefie

TRANS - umożliwia ustawienie stopnia przezroczystości wizualizacji

ALARM - wyświetla kolejne podmenu w którym można ustawić sposób wizualizacji ruchu (**OFF**, **BLOCK**, **OUTLINE**, **ALL**), można włączyć bądź wyłączyć wyświetlanie informacji „**MOTION DETECTED**” i ustawić czas jej wyświetlania (1 ~ 15 s). Opcje **ALARM OUT** i **ALARM SIG** są nieaktywne.

DEFAULT - przywraca ustawienia domyślne

USTAWIENIA

PRIVACY - pozwala na włączenie stref prywatności, które maskują część sceny. Po wybraniu pozycji **ON** i naciśnięciu przycisku **ENTER** pojawi się podmenu umożliwiające ustawienie do czterech stref:

P R I V A C Y		
1.	SELECT	AREA 1
2.	DISPLAY	OFF
3.	COLOR	WHITE
4.	TRANS	1.00
5.	DEFAULT	↓
6.	RETURN	RET ↓

SELECT - umożliwia wybór strefy do ustawienia

DISPLAY - ta opcja pozwala na wyłączenie danej strefy (**OFF**), i na włączenie - z ustawieniem sposobu maskowania: za pomocą nałożonego koloru, odwrócenia kolorów bądź mozaikowania (**COLOR**, **INV**, **MOSAIC**). Wciśnięcie przycisku **ENTER** po wybraniu opcji **COLOR**, **INV** lub **MOSAIC** spowoduje otwarcie nowego podmenu umożliwiającego ustawienie położenia i rozmiarów strefy.

COLOR - ustawia kolor maskowania (o ile wybrana została wcześniej opcja **COLOR**).

TRANS - umożliwia ustawienie stopnia przezroczystości maskowania (o ile wybrana została wcześniej opcja **COLOR**).

DEFAULT - przywraca ustawienia domyślne

LANGUAGE - pozwala na wybranie języka OSD spośród: angielskiego, polskiego, rosyjskiego i innych.

DEFECT - otwiera podmenu pozwalające na wykonanie korekcji nieaktywnych (uszkodzonych) pikseli:

D E F E C T		
1.	LIVE DPC	ON ↓
2.	WHITE DPC	ON ↓
3.	BLACK DPC	ON ↓
4.	RETURN	RET ↓

LIVE DPC - ustawianie parametrów funkcji korygującej wadliwe piksele w czasie rzeczywistym. Po wybraniu **ON** i wciśnięciu przycisku **ENTER** otwiera się podmenu umożliwiające ustawienie poziomu wzmocnienia i poziomu korekcji.

WHITE DPC - umożliwia dokonanie korekcji (maskowania) tzw. „gorących pikseli” (świejących na biało). Po wybraniu **ON** i wciśnięciu przycisku **ENTER** otwiera się podmenu w którym określamy rozmiar i położenie strefy w której będzie dokonana korekcja (pozycja **POS/SIZE**), następnie określamy poziom korekcji i wzmocnienia (pozycje **LEVEL** i **AGC**) i ustawienie opcji **SENS-UP** (o ile kamera z niej korzysta - pozycja **SENS-UP**). Następnie w pozycji **START** naciskamy przycisk **ENTER**, zasłaniaamy szczelnie obiektyw i naciskamy ponownie **ENTER**. Po dokonaniu korekcji kamera powróci do menu **WHITE DPC**. W pozycji **DPC VIEW** można sprawdzić efekt korekcji i w razie niezadowolających rezultatów powtórzyć operację z innymi ustawieniami.

BLACK DPC - umożliwia dokonanie korekcji (maskowania) tzw. „martwych pikseli”. Po wybraniu **ON** i wciśnięciu przycisku **ENTER** otwiera się podmenu w którym określamy rozmiar i położenie strefy w której będzie dokonana korekcja (pozycja **POS/SIZE**), następnie określamy poziom korekcji (pozycja **LEVEL**). Następnie w pozycji **START** naciskamy przycisk **ENTER** i czekamy na zakończenie operacji. W pozycji **DPC VIEW** można sprawdzić efekt korekcji i w razie niezadowolających rezultatów powtórzyć operację z innymi ustawieniami.

RS485 - opcja nieaktywna.

5.1.8 Podmenu ADJUST (regulacje)

Pozwala na wykonanie dodatkowych regulacji obrazu. Po naciśnięciu **ENTER** pojawia poniższe podmenu:

ADJUST	
1. SHARPNESS	AUTO ▾
2. MONITOR	LCD ▾
3. LSC	ON
4. VIDEO OUT	PAL
5. RETURN	RET ▾

SHARPNESS - umożliwia wyłączenie (**OFF**) i włączenie (**AUTO**) korekcji ostrości obrazu. Po wybraniu **AUTO** i naciśnięciu **ENTER** pojawia się kolejne podmenu w którym można ustawić stopień korekcji oraz zakresy wzmocnienia, dla których korekcja ma być wykonywana

MONITOR - koryguje parametry obrazu w zależności od tego, czy ma być wyświetlany na monitorze LCD, czy kineskopowym. Po wciśnięciu **ENTER** pojawia się podmenu, w którym można dokonać precyzyjnych regulacji.

LSC - włącza i wyłącza funkcję zwiększania jasności krawędzi obrazu

VIDEO OUT - przełącza system w którym pracuje kamera (**PAL** lub **NTSC**)

INFORMACJA:

Dla trybu pracy kamery analog 960H w menu **ADJUST** pojawiają się dwie dodatkowe pozycje:

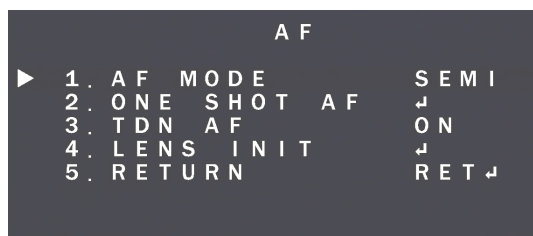
MONITOR OUT - przełącza format obrazu pomiędzy 4:3 a 16:9 dla dopasowania go do posiadanego monitora.

COMET - funkcja nieaktywna.

USTAWIENIA

5.1.9 Menu Ustawień kamery AF (Auto-Focus)

Menu do sterowania funkcjami Auto-Focus



AF MODE - włączenie/wyłączenie funkcji auto-focus (**AUTO/SEMI/MANUAL**), domyślnie **SEMI**. Kamera w trybie **SEMI** będzie automatycznie ustawiać ostrość tylko po zmianie zoomu optycznego przez użytkownika. W trybie **AUTO**, kamera ustawia ostrość za każdym razem jeśli w polu jej widzenia pojawi się nowy obiekt. **MANUAL**, tryb ręczny

ONE SHOT AF - wymuszenie wyostwienia obrazu dla obecnych ustawień zoomu optycznego.

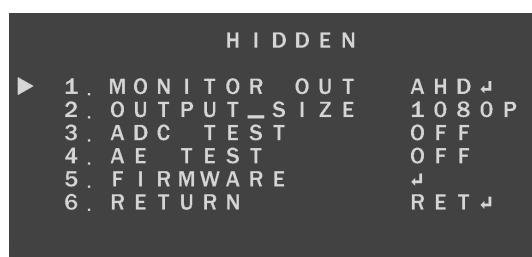
TDN AF - funkcja uruchamiająca tryb **AUTO-FOCUS** przy przejściu kamery z trybu dziennego w nocny i z nocnego w dzienny (**ON/OFF**)

LENS INIT - zainicjowanie pracy soczewek w pełnym zakresie zoomu .

RETURN - powrót do poprzedniego menu.

5.1.10 Menu ustawień dodatkowych kamery HIDDEN

Kamera posiada menu ustawień dodatkowych, do którego uzyskujemy dostęp poprzez odpowiednią sekwencję naciśnięć dżojstika. Aby wejść do menu **HIDDEN** należy najechać na menu **EXPOSURE**, trzykrotnie kliknąć przycisk **PRAWO (RIGHT)**, a następnie **ENTER**.



MONITOR OUT - wybranie trybu pracy kamery (**AHD/CVBS**). Domyślnym trybem jest **AHD**

OUTPUT SIZE - wybranie rozdzielczości w jakiej ma pracować kamera w trybie AHD (**1080p/720p**). Domyślnym trybem jest **1080p**

ADC TEST - opcja która wyświetla dane z przetwornika analogowo cyfrowego do celów testowych

AE TEST - opcja która wyświetla dane z automatyki ekspozycji do celów testowych

FIRMWARE - opcja która wyświetla aktualna wersja firmware kamery.

RETURN - powrót do poprzedniego menu.

NOVUS[®]

AAT Holding S.A.

ul. Puławska 431, 02-801 Warszawa
tel.: (22) 546 0 700, fax: (22) 546 0 719
www.novuscctv.com