

# User's manual (short)



eng

## NVIP-3C7520V-P

# noVus®

## IMPORTANT SAFEGUARDS AND WARNINGS

---

---

### EMC (2004/108/EC) and LVD (2006/95/EC ) Directives



Our products are manufactured to comply with requirements of the following directives and national regulations implementing the directives:

- Electromagnetic compatibility EMC 2004/108/EC.
- Low voltage LVD 2006/95/EC with further amendment. The Directive applies to electrical equipment designed for use with a voltage rating of between 50VAC and 1000VAC as well as 75VDC and 1500VDC.

### WEEE Directive 2002/96/EC



#### Information on Disposal for Users of Waste Electrical and Electronic Equipment

This appliance is marked according to the European 1000VAC Directive on Waste Electrical and Electronic Equipment (2002/96/EC) and further amendments. By ensuring this product is disposed of correctly, you will help to prevent potential negative consequences for the environment and human health, which could otherwise be caused by inappropriate waste handling of this product.

The symbol on the product, or the documents accompanying the product, indicates that this appliance may not be treated as household waste. It shall be handed over to the applicable collection point for used up electrical and electronic equipment for recycling purpose. For more information about recycling of this product, please contact your local authorities, your household waste disposal service or the shop where you purchased the product.

### RoHS Directive 2002/95/EC



Out of concern for human health protection and friendly environment, we assure that our products falling under RoHS Directive regulations, regarding the restriction of the use of hazardous substances in electrical and electronic equipment, have been designed and manufactured in compliance with the above mentioned regulations. Simultaneously, we claim that our products have been tested and do not contain hazardous substances whose exceeding limits could have negative impact on human health or natural environment

### Information

The device, as a part of professional CCTV system used for surveillance and control, is not designed for self installation in households by individuals without technical knowledge.

### Excluding of responsibility in case of damaging data on a disk or other devices:

The manufacturer does not bear any responsibility in case of damaging or losing data on a disk or other devices during device operation.

### WARNING!

PRIOR TO UNDERTAKING ANY ACTION THAT IS NOT DESCRIBED FOR THE GIVEN PRODUCT IN USER'S MANUAL AND OTHER DOCUMENTS DELIVERED WITH THE PRODUCT, OR IF IT DOES NOT ARISE FROM THE USUAL APPLICATION OF THE PRODUCT, MANUFACTURER MUST BE CONTACTED UNDER THE RIGOR OF EXCLUDING THE MANUFACTURER'S RESPONSIBILITY FOR THE RESULTS OF SUCH AN ACTION.

## IMPORTANT SAFEGUARDS AND WARNINGS

---

---

### **WARNING!**

THE KNOWLEDGE OF THIS MANUAL IS AN INDESPENSIBLE CONDITION OF A PROPER DEVICE OPERATION. YOU ARE KINDLY REQUESTED TO FAMILIRIZE YOURSELF WITH THE MANUAL PRIOR TO INSTALLATION AND FURTHER DEVICE OPERATION.

### **WARNING!**

USER IS NOT ALLOWED TO DISASSEMBLE THE CASING AS THERE ARE NO USER -SERVICEABLE PARTS INSIDE THIS UNIT. ONLY AUTHORIZED SERVICE PERSONNEL MAY OPEN THE UNIT

INSTALLATION AND SERVICING SHOULD ONLY BE DONE BY QUALIFIED SERVICE PERSONNEL AND SHOULD CONFORM TO ALL LOCAL REGULATIONS

1. Prior to undertaking any action please consult the following manual and read all the safety and operating instructions before starting the device.
2. Please keep this manual for the lifespan of the device in case referring to the contents of this manual is necessary;
3. All the safety precautions referred to in this manual should be strictly followed, as they have a direct influence on user's safety and durability and reliability of the device;
4. All actions conducted by the servicemen and users must be accomplished in accordance with the user's manual;
5. The device should be disconnected from power sources during maintenance procedures;
6. Usage of additional devices and components neither provided nor recommended by the producer is forbidden;
7. You are not allowed to use the camera in high humidity environment (i.e. close to swimming pools, bath tubs, damp basements);
8. Mounting the device in places where proper ventilation cannot be provided (e. g. closed lockers etc.) is not recommended since it may lead to heat build-up and damaging the device itself as a consequence;
9. Mounting the camera on unstable surface or using not recommended mounts is forbidden. Improperly mounted camera may cause a fatal accident or may be seriously damaged itself. The camera must be mounted by qualified personnel with proper authorization, in accordance with this user's manual.
10. Device should be supplied only from a power sources whose parameters are in accordance with those specified by the producer in the camera technical datasheet. Therefore, it is forbidden to supply the camera from a power sources with unknown parameters, unstable or not meeting producer's requirements;

Due to the product being constantly enhanced and optimized, certain parameters and functions described in the manual in question may change without further notice. We strongly suggest visiting the [www.novuscctv.com](http://www.novuscctv.com) website in order to access the newest manual

Data included in the following user's manual is up to date at the time of printing. AAT Holding Sp z o.o. holds exclusive rights to modify this manual. The producer reserves the rights for device specification modification and change in the design without prior notice.

## TABLE OF CONTENTS

---

---

<b>TABLE OF CONTENTS</b> .....	4
<b>1. FOREWORD INFORMATION</b> .....	5
1.1. General Characteristics.....	5
1.2. Camera tech specification .....	6
1.3. Camera dimension .....	7
1.4. Package contents.....	8
<b>2. START-UP AND INITIAL IP CAMERA CONFIGURATION</b> .....	9
2.1. Description of connectors and control tools .....	9
2.2. Camera mounting .....	10
2.3. Starting the IP camera.....	12
2.4. Initial configuration via the Web browser.....	13
<b>3. NETWORK CONNECTION UTILIZING WEB BROWSER</b> .....	14
3.1. Recommended PC specification for web browser .....	14
3.2. Connection with IP camera via the Internet Explorer .....	14
3.3. Connection with IP camera via the other browser .....	16
<b>4. WWW INTERFACE - WORKING WITH IP CAMERA</b> .....	18
4.1. Displaying live pictures.....	18
<b>5. ELECTRIC CONNECTORS AND ACCESORIES</b> .....	20
5.1. Connecting power supply to the camera. ....	20
5.2. SD card installation .....	20
<b>6. RESTORING FACTORY DEFAULTS</b> .....	21
6.1. Restoring software factory defaults.....	21
6.2. Restoring hardware factory defaults in IP cameras.....	21

## FOREWORD INFORMATION

---

---

### 1. FOREWORD INFORMATION

#### 1.1. General Characteristics

Imager resolution: 3.0 megapixels

- Electronic day/ night function
- Min. Illumination: 0.1 lx/F=1.8 (DSS)
- Wide Dynamic Range (WDR) for enhanced image quality in diverse light conditions
- Digital Slow Shutter (DSS)
- Digital Noise Reduction (DNR)
- Lens: f=3.6 mm
- Privacy zones: 5
- Compression: H.264, M-JPEG
- Max video processing resolution: 2048 x 1536
- Quadruple streaming: compression, resolution, speed and quality defined individually for video streams
- RTP/RTSP protocol support for video transmission
- Pre- & post-alarm functions
- Schedule function
- Hardware motion detection
- Built-in webserver: camera configuration through the website
- MicroSD/SDHC card support
- Wide range of responses to alarm events: e-mail with attachment, saving file on FTP server, saving file on SD/SDHC card, HTTP notification
- Network protocol support : Onvif (2.0), HTTP, TCP/IP, IPv4/v6, UDP, HTTPS, Multicast, FTP, DHCP, DDNS, NTP, RTSP, RTP, UPnP, SNMP, QoS
- Software: NMS (NOVUS MANAGEMENT SYSTEM) for video recording, live monitoring, playback and remote IP devices administration
- IP 66
- Vandal proof housing
- Power supply: PoE (Power over Ethernet)

eng

## FOREWORD INFORMATION

### 1.2. Camera tech specification

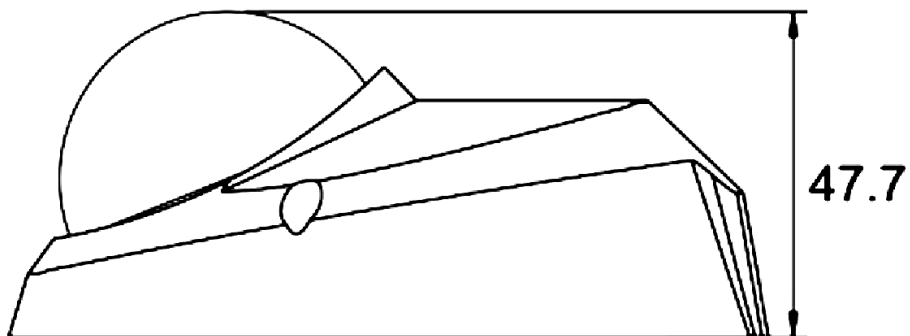
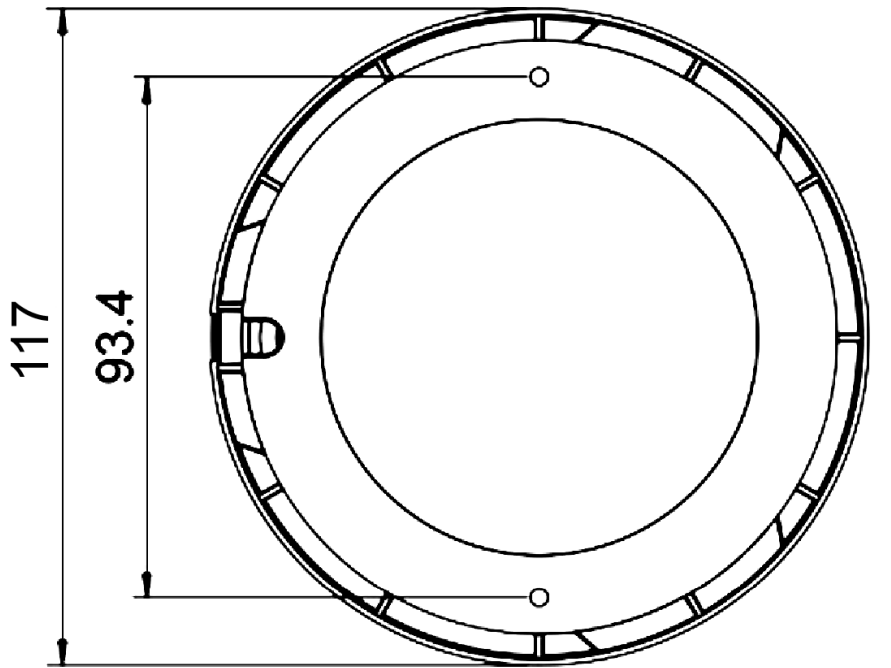
Model	NVIP-3C7520V-P
<b>IMAGE</b>	
Pick-up Element	3 MPX, CMOS imager, 1/2.8"
Number of Effective Pixels	2048 (H) x 1536 (V)
Min. Illumination	0.1 lx/F=1.8 - color mode DSS, 0.1 lx/F=1.8 - B/W mode DSS
Digital Slow Shutter (DSS)	Up to 1 s
Wide Dynamic Range (WDR)	Yes
Digital Noise Reduction (DNR)	Yes
<b>LENS</b>	
Type	Standard, f=3.6 mm/F=1.8
Angle of View (H)	78°
<b>DAY/NIGHT</b>	
Type	Electronic D/N function
Switching Mode	Auto
<b>NETWORK</b>	
Stream Resolution	2048 x 1536, 1920 x 1080, 1280 x 1024, 1280 x 720, 1024 x 768, 800 x 600, 720 x 576, 640 x 480, 352 x 288
Frame Rate	15 fps for 2048 x 1536, 30 fps for 1920 x 1080 and lower resolutions
Multistreaming Mode	4 streams
Video Compression	H.264, M-JPEG/G.711, G.726
Network Protocols Support	Onvif (2.0), HTTP, TCP/IP, IPv4/v6, UDP, HTTPS, Multicast, FTP, DHCP, PPPoE, DDNS, NTP, RTSP, RTP, UPnP, SNMP, QoS
PC Software	NOVUS NMS, Internet Explorer
<b>OTHER FUNCTIONS</b>	
OSD	IE browser, Polish, English, Russian and others
Privacy Zones	5
Motion Detection	Yes
Prealarm/Postalarm	20 frames or 3 s/20 frames or 9999 s
System Reaction to Alarm Events	E-mail with attachment, saving file on: FTP server/ Samba server, HTTP notification
NTP	Synchronization with selected server
<b>INTERFACES</b>	
Network Interface	1 x Ethernet - RJ-45 interface, 10/100 Mbit/s
Memory Card Slot	Yes
<b>INSTALLATION PARAMETERS</b>	
Dimensions (mm)	117 (Ø) x 48 (H)
Weight	280 g
Enclosure	Vandal proof, white
Power Supply	PoE
Power Consumption	3.5 W
Operating Temperature	-10°C ~ 50°C
Degree of Protection	IP 66

eng

## FOREWORD INFORMATION

### 1.3. Camera dimensions

Dimensions in mm



eng

## FOREWORD INFORMATION

---

---

### 1.4. Package contents

After you open the package make sure that the following elements are inside:

- IP camera
- Accessories bag
- Short version of user's manual
- CD containing manual and software

eng

If any of this elements has been damaged during transport, pack all the elements back into the original box and contact your supplier for further assistance.

### **CAUTION!**

**If the device was brought from a location with lower temperature, please wait until it reaches the temperature of location it is currently in. Turning the device on immediately after bringing it from a location with lower ambient temperature is forbidden, as the condensing water vapour may cause short-circuits and damage the device as a result.**

**Before starting the device familiarize yourself with the description and the role of particular inputs, outputs and adjusting elements that the device is equipped with.**



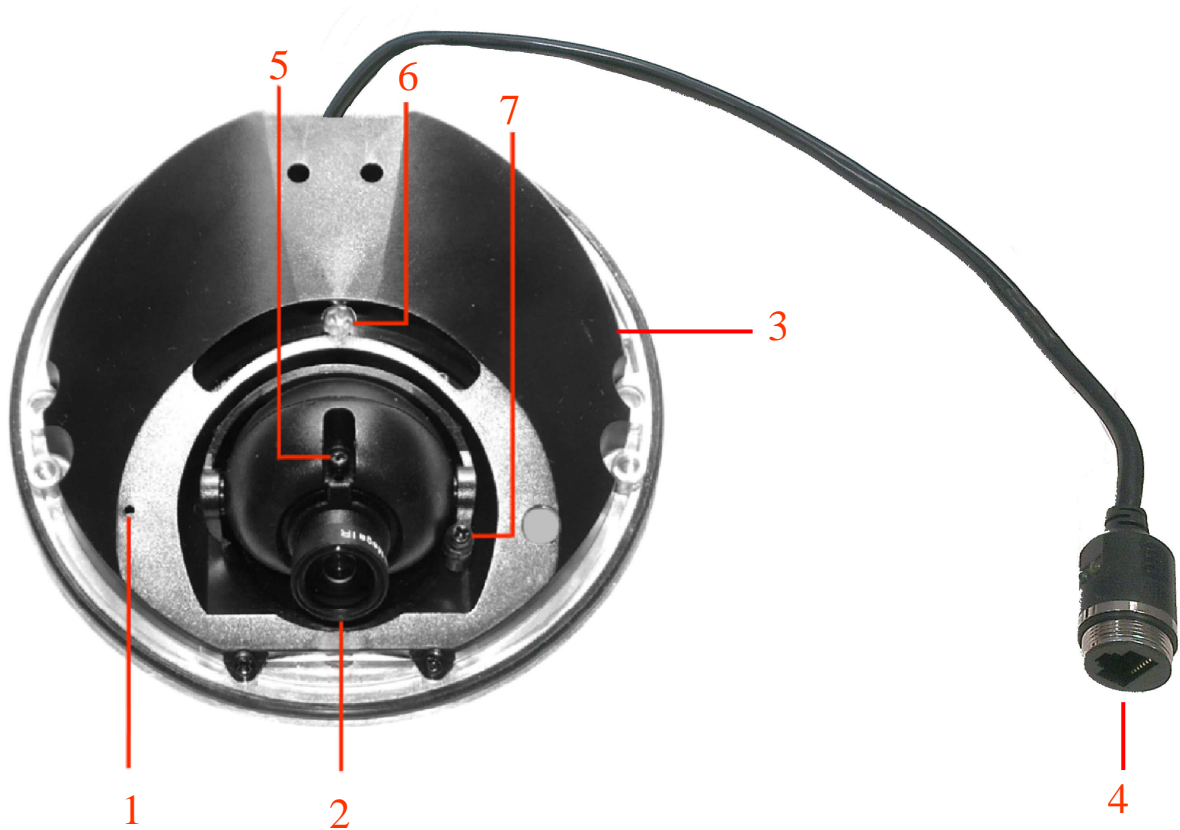
## START-UP AND INITIAL CAMERA CONFIGURATION

---

---

### 2. START-UP AND INITIAL IP CAMERA CONFIGURATION

#### 2.1. Description of connectors and control tools



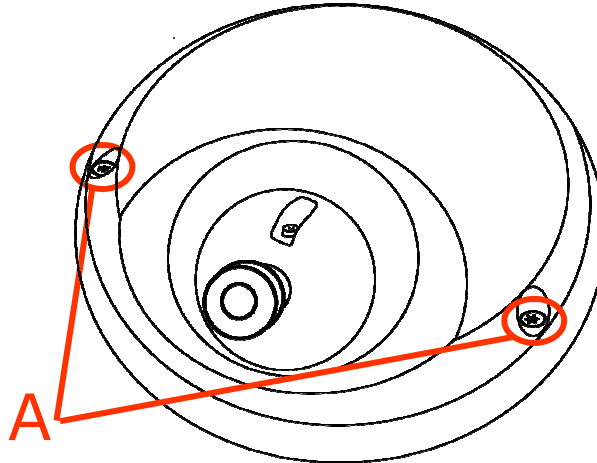
- 1. Reset button
- 2. Lens
- 3. MicroSD card slot
- 4. Port Ethernet 100 Mb/s (RJ-45 connector)
- 5. Lens protecting cap
- 6. Horizontal adjustment screws
- 7. Vertical adjustment screws

## START-UP AND INITIAL CAMERA CONFIGURATION

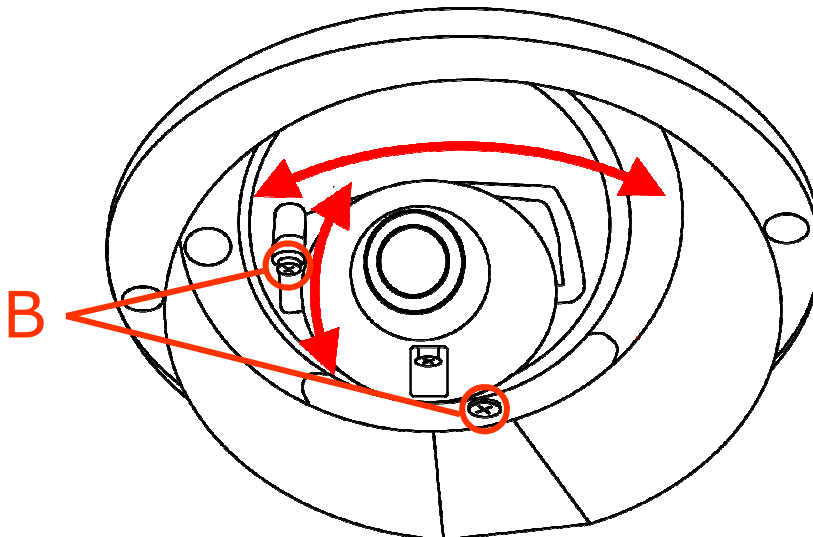
### 2.2. Camera mounting

To mount a camera please follow the instructions below:

- Unscrew and remove the dome from the camera (2 “A” screws).  
NOTE: Please make sure that rubber pads do not slide from screws.



- Put the camera's base to wall/ceiling.
- Taking holes at the bottom of the camera's base as a pattern, please mark the drilling holes for screws and cables (using a punch, for example).
- Drill 2 holes, in accordance with camera's base hole placement.
- Drill cable hole in the mounting place.
- Mount the camera using included screws. Make sure to use rubber pads between screw head and the camera.
- Loosen the vertical and horizontal adjustment screws.(„B” screws).
- Point the camera to a desired scene in accordance with figures below



## START-UP AND INITIAL CAMERA CONFIGURATION

---

---

- Block vertical/horizontal adjustment screws.

NOTE: Please do not adjust the focus of the lens. Following camera has focus set in factory and adjusted to work with a dome housing. After removing the dome, focus will be deteriorated. That's why image quality and focus verification should be carried out each time after mounting dome.

If you try to adjust focus when the dome is removed, image will be unsatisfying, because the dome covering will change the camera focus point. In this case, you have to adjust the focus and check the result, by mounting the dome, each time until focus and quality will be satisfying.

- Put dome onto the camera's base and secure it using screws.

## START-UP AND INITIAL CAMERA CONFIGURATION

### 2.3. Starting the IP camera

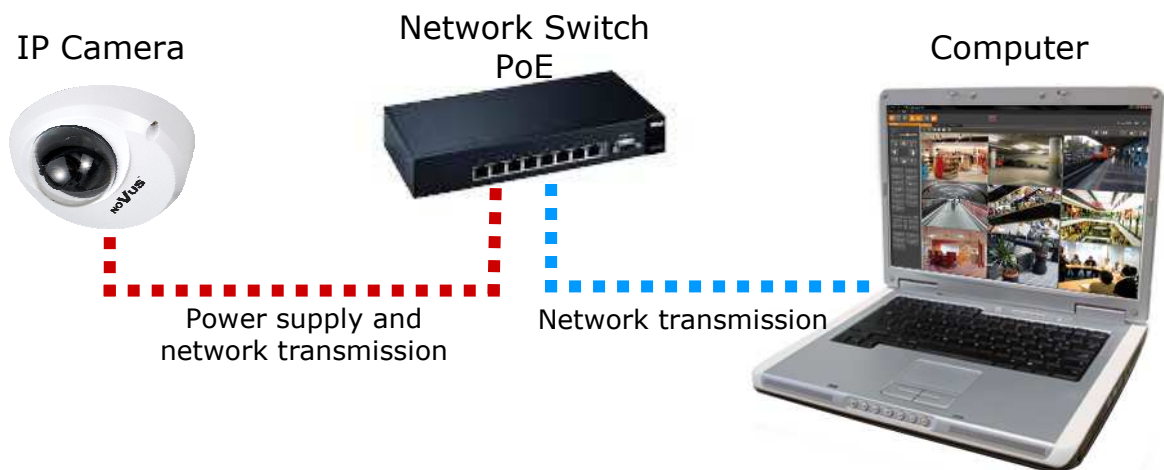
To run NOVUS IP camera you have to connect ethernet cable between camera and network switch with PoE support (IEEE 802.3af).

After connecting power supply green LED should light on. Initialization process is then started which takes about 30 seconds. You can then proceed to connect to the camera via web browser.

If the connection is successfully established, orange LED blinks with a frequency proportional to the quantity of data sent. Connecting via web browser is then possible. If connection isn't established (the network cable is disconnected) green and orange LEDs aren't active, solid light means that network connection is ok but camera doesn't receive or send any data, with possible PC network settings error.

The recommended way to start an IP camera and perform its configuration is a connection directly to the network switch which is not connected to other devices. To obtain further information about network configuration parameters (IP address, gateway, network mask, etc.) please contact your network administrator.

- Connection utilizing network switch with PoE support



#### Caution:

**In order to provide protection against voltage surges/lightning strikes, usage of appropriate surge protectors is advised. Any damages resulting from surges are not eligible for service repairs.**

## START-UP AND INITIAL CAMERA CONFIGURATION

---

---

### 2.4. Initial configuration via the web browser

The default network settings for NVIP-... IP camera series are :

1. IP address= **192.168.1.200**
2. Network mask - **255.255.255.0**
3. Gateway - **192.168.1.1**
4. User name - **root**
5. Password - **pass**

Knowing the camera's IP address you need to appropriately set PC IP address, so the two devices can operate in one network subnet ( e.g. for IP 192.168.1.1, appropriate address for the camera ranges from 192.168.1.2 to 192.168.1.254, for example 192.168.1.60). It is not allowed to set the same addresses for camera and PC computer

You can either set a network configuration (IP address, gateway, net mask, etc.) of NOVUS IP camera yourself or select DHCP mode (DHCP server is required in this method in target network) by using web browser or by NMS software. When you use DHCP server check IP address lease and its linking with camera MAC address to avoid changing or losing IP address during device operation or network/DHCP server breakdown. You have to remember to use a new camera IP address after changing network parameters.

After network setting configuration has been done, the camera can be connected to a target network.

eng

## NETWORK CONNECTION UTILIZING WEB BROWSER

### 3. NETWORK CONNECTION UTILIZING WEB BROWSER

#### 3.1. Recommended PC specification for web browser connections

Requirements below apply to connection with an IP camera, assuming smooth image display in 1920x1080 resolution and 25 fps speed.

1. CPU **Intel Pentium IV 3 GHz** or newer
2. **RAM** Memory min. **512 MB**
3. VGA card (any displaying **Direct 3D with min. 128 MB RAM** memory)
4. OS **Windows XP / VISTA**
5. **Direct X** version **9.0** or newer
6. Network card **10/100/1000 Mb/s**

#### 3.2. Connection with IP camera via the Internet Explorer

You have to enter camera IP address in the Internet Explorer address bar. If IP address is correct user login window will be displayed:

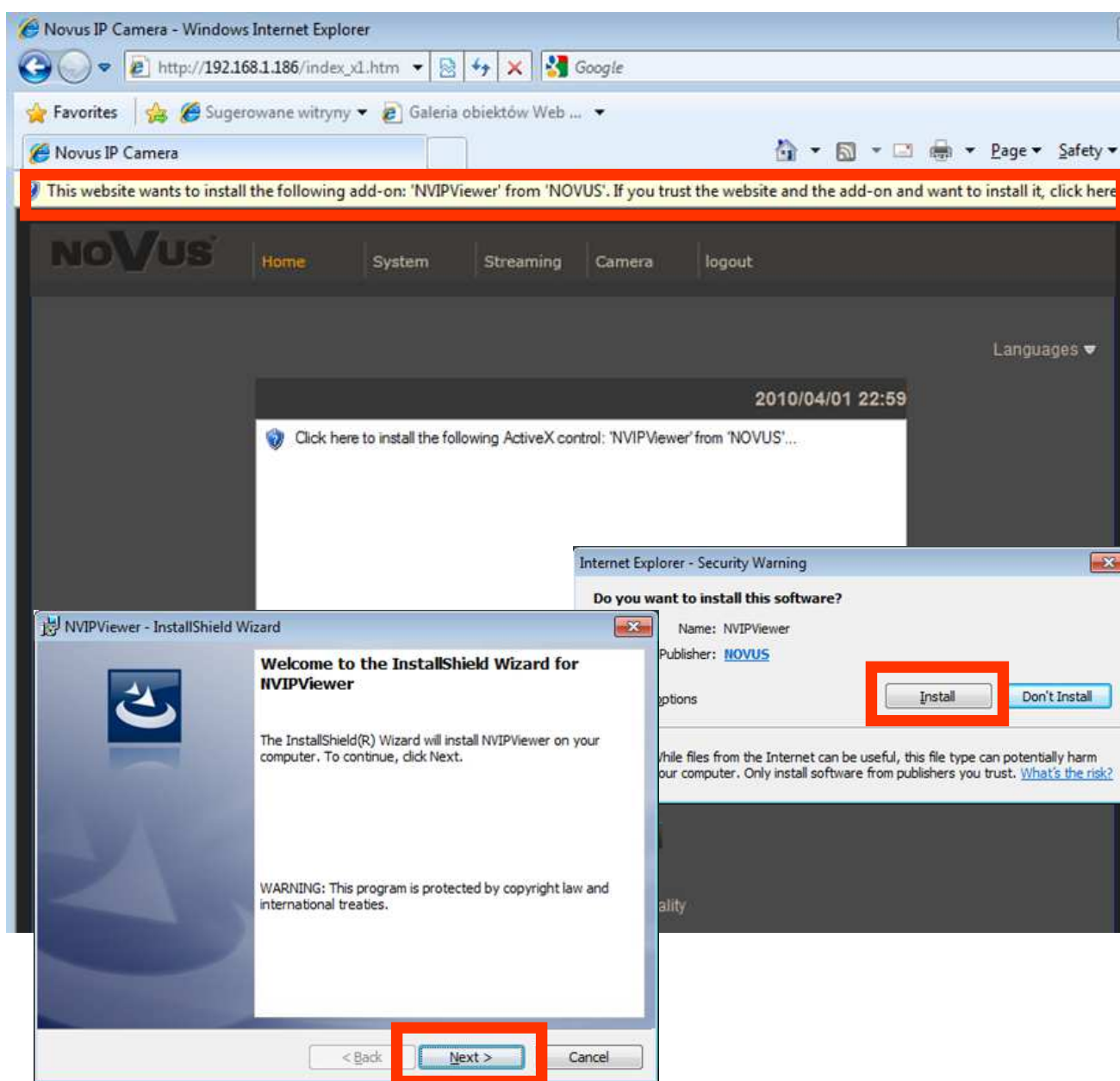


Default user is **root** and default password is **pass**.

For safety reasons, it is recommended to change default user name and password.

When you log on to the camera, web browser will download the applet for displaying images from the camera. Depending on the current Internet Explorer security settings it may be necessary to accept an ActiveX control. To do this, click the right mouse button on the message, select "Install Active X control" and then click Install. After successfully NVIP Viewer plug in downloading run and install it on a computer.

## NETWORK CONNECTION UTILIZING WEB BROWSER



eng

If the installation fails, changing security settings for the IE browser is required. In order to do that, please choose: *Tools > Internet options > Security tab > Custom level* and:

- Under *Download unsigned ActiveX controls* - select either Enable or Prompt
- Under *Initialize and script ActiveX controls not marked as safe* - select Enable or Prompt

You can also add the camera's IP address to "trusted zone" and set lowest security level for it.

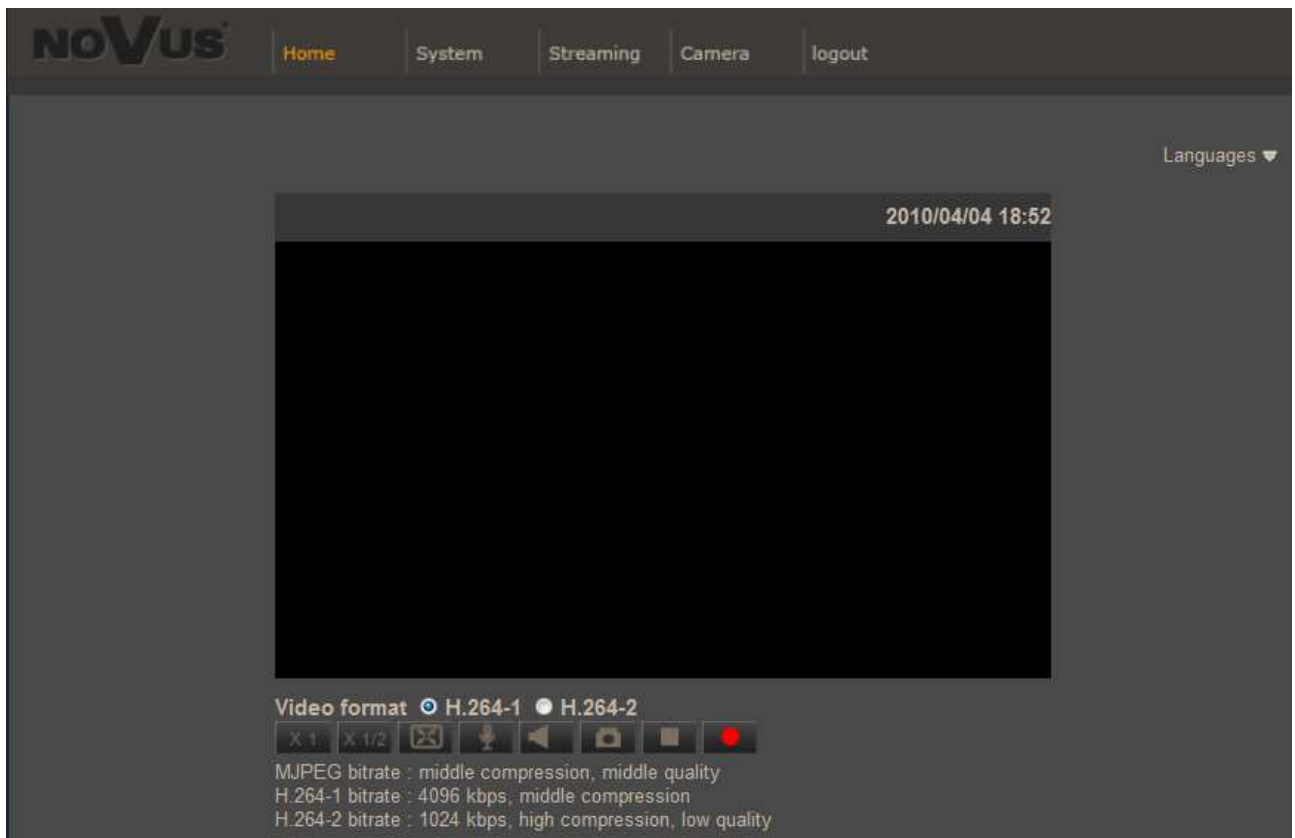
In addition, when working in Windows Vista/7 the ActiveX applet may be blocked by Windows Defender or User account control. In such case you should allow to run this applet, or simply disable

## NETWORK CONNECTION UTILIZING WEB BROWSER

### 3.3. Connection with IP camera via other browser eg. Chrome, Mozilla Firefox, Safari )

It is also possible to connect to the camera using Mozilla Firefox, but this browser doesn't offer full functionality of the camera, so the recommended browser is Internet Explorer.

The first run of the IP camera in browser is very similar to the IE version. After you type the correct IP address you have to write correct username and password. The default user is **root** and password is **pass**.



Next, blank screen is displayed. Then you have to install the missing Quick Time plug-in from site:

<http://www.apple.com/quicktime/download/>

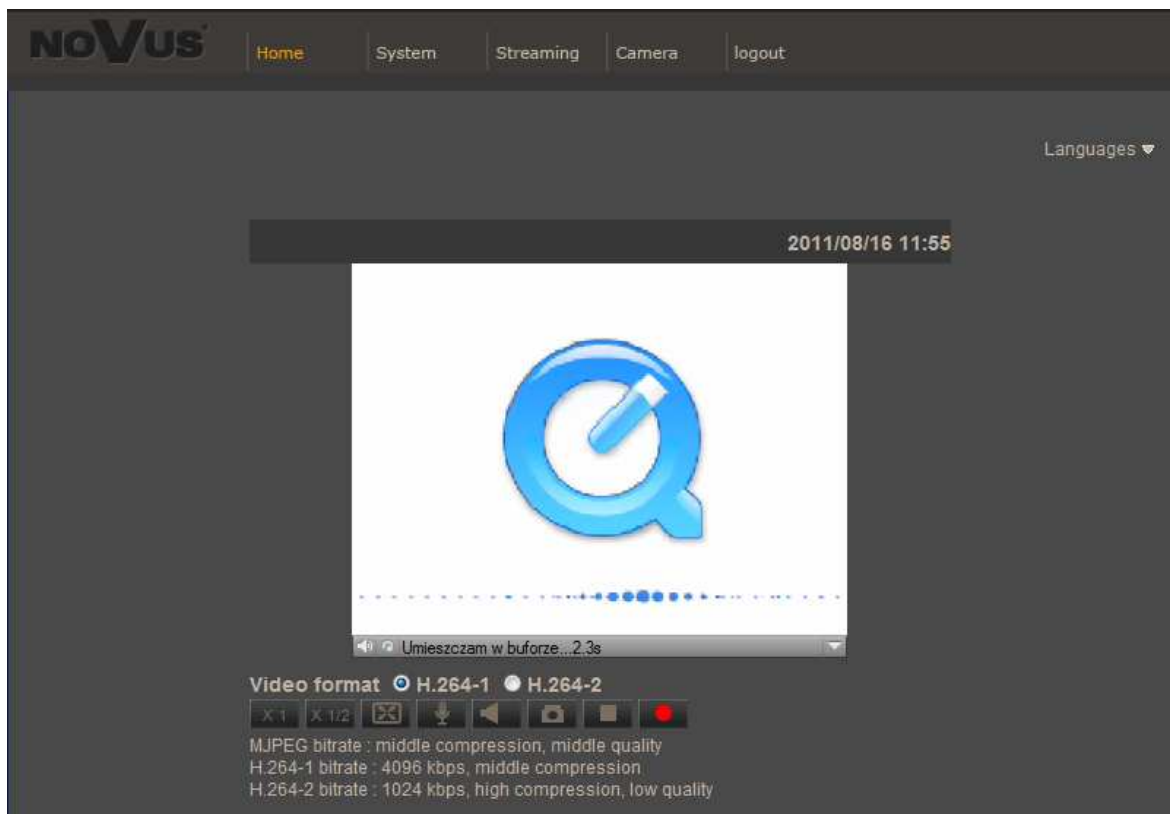


## NETWORK CONNECTION UTILIZING WEB BROWSER



eng

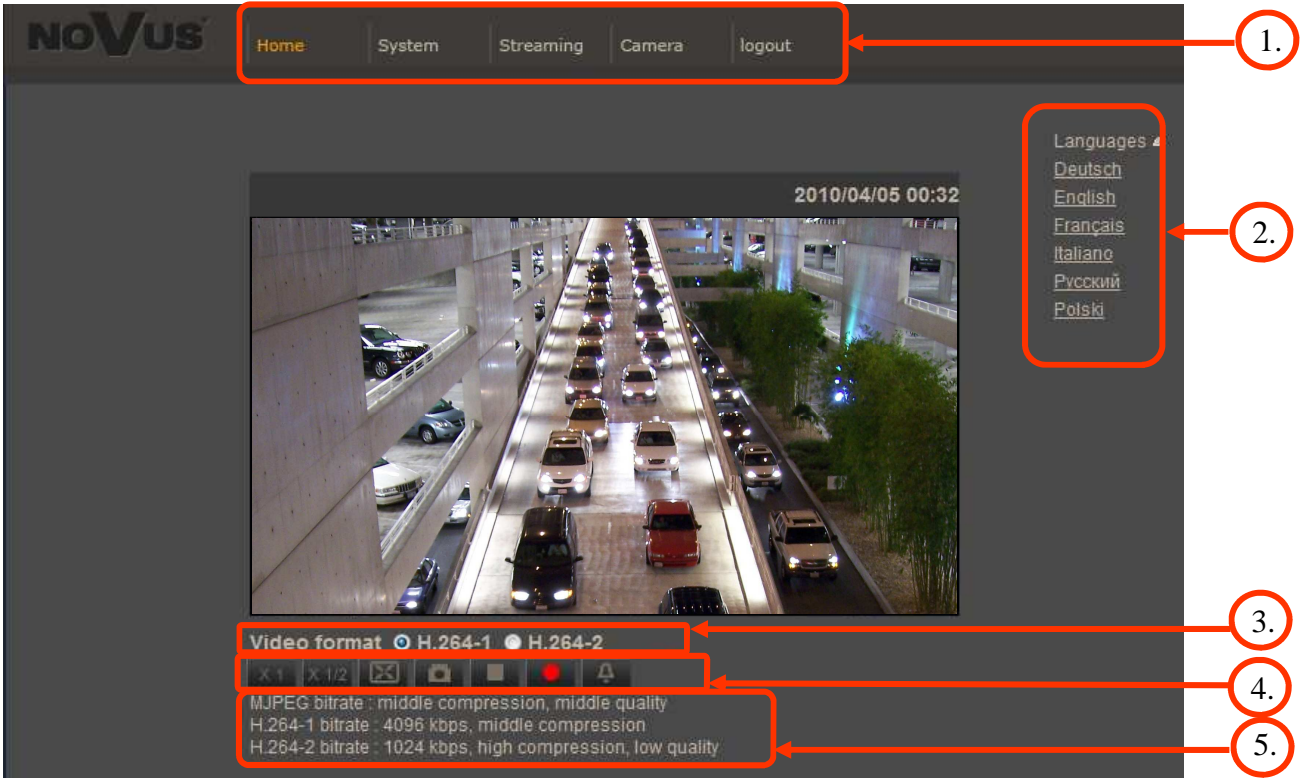
After downloading and running it, a window depicting installation of particular components is then displayed. After proper installation pictures from the camera should become visible



## WWW INTERFACE - WORKING WITH IP CAMERA

### 4. WWW INTERFACE - WORKING WITH IP CAMERA

#### 4.1. Displaying live pictures



#### 1. Main tabs

Home — live view page

System — camera settings ( IP, recording, sending alarm messages, motion detection)

Streaming — streaming settings for audio and video audio

Camera — picture settings

Logout

#### 2. Language selection.

#### 3. Video stream selection.

#### 4. ActiveX settings for live video.



- Display mode in web browser



- Full screen view



- Activates events defined in “System“ -> “Events“ -> “Manual trigger” tab

## WWW INTERFACE - WORKING WITH IP CAMERA

---



- Snapshot - saves the current frame in JPEG format



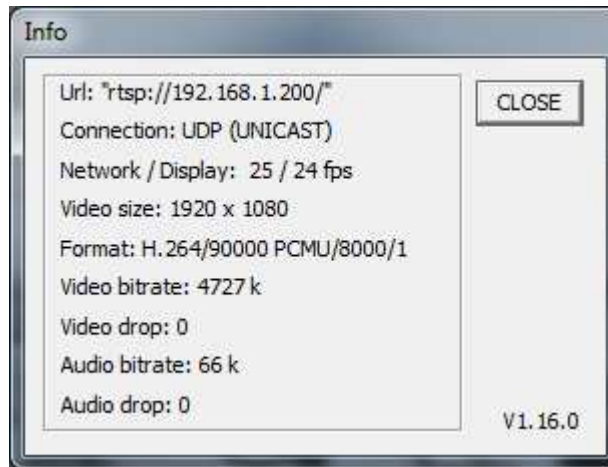
- Video Streaming pause/play button



- Web recording to AVI button

### 5. Video streaming information.

Right mouse button click on the live screen view displays additional information about actual video and audio transition parameters.



eng

## ELECTRIC CONNECTORS AND ACCESORIES

---

---

### 5. ELECTRIC CONNECTORS AND ACCESORIES

#### 5.1. Connecting power supply to the camera.

The camera is supplied by using RJ45 network socket. To run NOVUS IP camera you have to connect ethernet cable between camera and network switch with PoE support (IEEE 802.3af). You can also use a power injector compatible with IEEE 802.3af standard.

#### Caution:

**In order to provide protection against voltage surges/lightning strikes, usage of appropriate surge protectors is advised. Any damages resulting from surges are not eligible for service repairs.**

#### 5.3. SD card installation

Camera supports SD and SDHC cards with their capacity up to 32GB. In order to install the card properly, please follow the instructions below:

- Format the card in FAT32 file system using a PC computer
- Turn the camera off
- Mount SD card in the socket located at the camera's rear, according to the picture:



- Turn the camera on
- Check the SD card by checking its capacity in the *STORAGE MANAGEMENT* tab.

## RESTORING FACTORY DEFAULTS

---

---

### 6. RESTORING FACTORY DEFAULTS

NOVUS IP cameras allow to restore defaults via:

- software (web browser level) resetting the camera settings
- hardware (using reset) restores factory defaults.

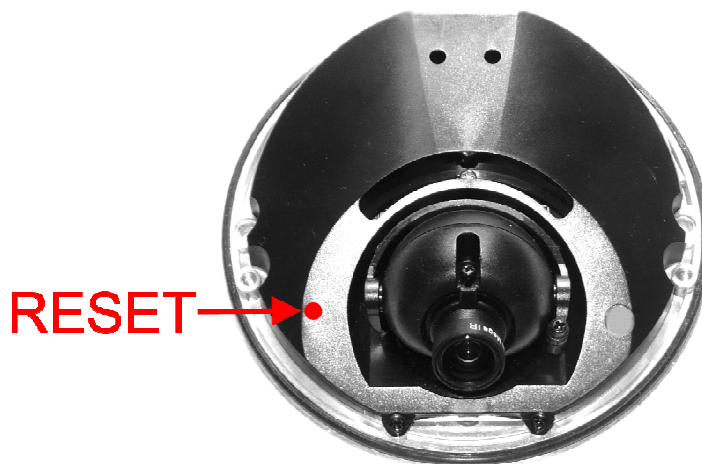
#### 6.1. Restoring software factory defaults

Factory software default restores default settings of the IP camera except network settings (optional). The camera re-starts then, taking about one minute to complete. Option to restore the factory default is described in *SETUP>FACTORY DEFAULT* tab.

#### 6.2. Restoring hardware factory defaults in IP cameras

In order to restore factory defaults for the camera please follow the instructions:

- press the *RESET* button and hold on for 10 seconds
- release button
- log on after approx. 1 minute using default IP address (<http://192.168.1.200>) and default user name (root) and password (pass)



Reset button is located as depicted below. Non metal, thin object is recommended for pushing it.

**NOVUS<sup>®</sup>**

2014-05-19 TŁ, MM

# instrukcja obsługi (skrótowa)



**NVIP-3C7520V-P**

**noVus<sup>®</sup>**



## UWAGI I OSTRZEŻENIA

---

---

### Dyrektywy EMC (2004/108/EC) i LVD (2006/95/EC)



#### Oznakowanie CE

Nasze produkty spełniają wymagania zawarte w dyrektywach oraz przepisach krajowych wprowadzających dyrektywy:

Kompatybilność elektromagnetyczna EMC 2004/108/EC.

Niskonapięciowa LVD 2006/95/EC. Dyrektywa ma zastosowanie do sprzętu elektrycznego przeznaczonego do użytkowania przy napięciu nominalnym od 50VAC do 1000VAC oraz od 75VDC do 1500VDC.



### Dyrektywa WEEE 2002/96/EC

#### Informacja dla użytkowników o pozbywaniu się urządzeń elektrycznych i elektronicznych

Niniejszy produkt został oznakowany zgodnie z Dyrektywą WEEE (2002/96/EC) oraz późniejszymi zmianami, dotyczącą zużytego sprzętu elektrycznego i elektronicznego. Zapewniając prawidłowe złomowanie przyczyniają się Państwo do ograniczenia ryzyka wystąpienia negatywnego wpływu produktu na środowisko i zdrowie ludzi, które mogłoby zaistnieć w przypadku niewłaściwej utylizacji urządzenia.

Symbol umieszczony na produkcie lub dołączonych do niego dokumentach oznacza, że nasz produkt nie jest klasyfikowany jako odpad z gospodarstwa domowego. Urządzenie należy oddać do odpowiedniego punktu utylizacji odpadów w celu recyklingu. Aby uzyskać dodatkowe informacje dotyczące recyklingu niniejszego produktu należy skontaktować się z przedstawicielem władz lokalnych, dostawcą usług utylizacji odpadów lub sklepem, gdzie nabyto produkt.



### Dyrektywa RoHS 2002/95/EC

#### Informacja dla użytkowników dotycząca ograniczenia użycia substancji niebezpiecznych w sprzęcie elektrycznym elektronicznym.

W trosce o ochronę zdrowia ludzi oraz przyjazne środowisko zapewniamy, że nasze produkty podlegające przepisom dyrektywy RoHS, dotyczącej użycia substancji niebezpiecznych w sprzęcie elektrycznym i elektronicznym, zostały zaprojektowane i wyprodukowane zgodnie z wymaganiami tej dyrektywy. Jednocześnie zapewniamy, że nasze produkty zostały przetestowane i nie zawierają substancji niebezpiecznych w ilościach mogących niekorzystnie wpływać na zdrowie człowieka lub środowisko naturalne.

### Informacja

Urządzenie, jako element profesjonalnego systemu telewizji dozorowej służącego do nadzoru i kontroli, nie jest przeznaczone do samodzielnego montażu w gospodarstwach domowych przez osoby nie posiadające specjalistycznej wiedzy.

### Wyłączenie odpowiedzialności w przypadku uszkodzenia danych zawartych na dysku lub innych urządzeniach:

Producent nie ponosi odpowiedzialności w razie uszkodzenia lub utraty w trakcie eksploatacji Produktu danych zawartych na dyskach lub innych urządzeniach.

### Obowiązek konsultowania się z Producentem przed wykonaniem czynności nieprzewidzianej instrukcją obsługi albo innymi dokumentami:

Przed wykonaniem czynności, która nie jest przewidziana dla danego Produktu w instrukcji obsługi, innych dokumentach dołączonych do Produktu lub nie wynika ze zwykłego przeznaczenia Produktu, należy, pod rygorem wyłączenia odpowiedzialności Producenta za następstwa takiej czynności, skontaktować się z Producentem.



## WARUNKI BEZPIECZEŃSTWA

---

---

### **UWAGA!**

ZNAJOMOŚĆ NINIEJSZEJ INSTRUKCJI JEST NIEZBĘDNYM WARUNKIEM PRAWIDŁOWEJ EKSPLOATACJI URZĄDZENIA. PROSIMY O ZAPOZNANIE SIĘ Z NIM PRZED PRZYSTĄPIENIEM DO INSTALACJI I OBSŁUGI REJESTRATORA.

### **UWAGA!**

NIE WOLNO DOKONYWAĆ ŻADNYCH SAMODZIELNYCH NAPRAW. WSZYSTKIE NAPRAWY MOGĄ BYĆ REALIZOWANE JEDYNIEM PRZEZ WYKWALIFIKOWANYCH PRACOWNIKÓW SERWISU.

1. Przed zainstalowaniem i rozpoczęciem eksploatacji należy dokładnie zapoznać się z niniejszą instrukcją obsługi i zawartymi w niej wymogami bezpieczeństwa;
2. Uprasza się o zachowanie instrukcji na czas eksploatacji kamery na wypadek konieczności odniesienia się do zawartych w niej treści;
3. Należy skrupulatnie przestrzegać wymogów bezpieczeństwa opisanych w instrukcji, gdyż mają one bezpośredni wpływ na bezpieczeństwo użytkowników i trwałość oraz niezawodność urządzenia;
4. Wszystkie czynności wykonywane przez instalatorów i użytkowników muszą być realizowane zgodnie z opisem zawartym w instrukcji;
5. W czasie czynności konserwatorskich urządzenie musi być odłączone od zasilania;
6. Nie wolno stosować żadnych dodatkowych urządzeń lub podzespołów nie przewidzianych i nie zalecanych przez producenta;
7. Nie wolno używać kamery w środowisku o dużej wilgotności (np. w pobliżu basenów, wanień, w wilgotnych piwnicach);
8. Nie należy instalować tego urządzenia w miejscu, gdzie nie można zapewnić właściwej wentylacji (np. zamknięte szafki, itp.), co powoduje zatrzymanie się ciepła i w konsekwencji może doprowadzić do uszkodzenia;
9. Nie wolno umieszczać kamery na niestabilnych powierzchniach. Kamera musi być instalowany przez wykwalifikowany personel o odpowiednich uprawnieniach według zaleceń podanych w niniejszej instrukcji;
10. Urządzenie może być zasilane jedynie ze źródeł o parametrach zgodnych ze wskazanymi przez producenta w danych technicznych serwera wideo. Dlatego też, zabrania się zasilania kamery ze źródeł o nieznanym, niestabilnym lub niezgodnym z wymaganiami określonymi przez producenta parametrach;

### **Informacja**

Ponieważ produkt jest stale ulepszany i optymalizowany niektóre parametry i funkcje opisane w załączonej instrukcji mogły ulec zmianie. Prosimy o zapoznanie się z najnowszą instrukcją obsługi znajdującą się na stronie [www.novuscctv.pl](http://www.novuscctv.pl).

Producent, firma AAT Holding Sp z o.o. zastrzega sobie możliwość wystąpienia błędów w druku oraz zmian parametrów technicznych bez uprzedniego powiadomienia.

## SPIS TREŚCI

<b>SPIS TREŚCI</b> .....	4
<b>1. INFORMACJE WSTĘPNE</b> .....	5
1.1. Charakterystyka ogólna .....	5
1.2. Dane techniczne .....	6
1.3. Wymiary kamery .....	7
1.4. Zawartość opakowania .....	8
<b>2. URUCHAMIANIE I WSTĘPNA KONFIGURACJA KAMERY IP</b> .....	9
2.1. Opis złącz elektrycznych oraz elementów regulacyjnych .....	9
2.2. Montaż kamery .....	10
2.3. Uruchomienie kamery IP .....	12
2.4. Konfiguracja parametrów przy użyciu przeglądarki internetowej .....	13
<b>3. POŁĄCZENIA SIECIOWE ZA POMOCĄ PRZEGLĄDARKI WWW</b> .....	14
3.1. Zalecana konfiguracja komputera PC do połączeń przez przeglądarkę WWW .....	14
3.2. Połączenie sieciowe z kamerą IP za pomocą przeglądarki Internet Explorer ....	14
3.3. Połączenie sieciowe z kamera IP za pomocą innych przeglądarek .....	16
<b>4. INTERFEJS WWW - PRACA Z KAMERA</b> .....	18
4.1. Wyświetlanie obrazu na żywo .....	18
<b>5. POŁĄCZENIA ELEKTRYCZNE I ZŁĄCZA AKCESORIÓW</b> .....	20
5.1. Podłączanie zasilania kamery .....	20
5.2. Instalacja karty SD .....	20
<b>6. PRZYWRACANIE USTAWIEŃ FABRYCZNYCH KAMERY</b> .....	21
6.1. Programowe resetowanie ustawień kamery .....	21
6.2. Przywracanie ustawień fabrycznych kamery IP (sprzętowe) .....	21

## INFORMACJE WSTĘPNE

---

---

### 1. INFORMACJE WSTĘPNE

#### 1.1. Charakterystyka ogólna

- Elektroniczna funkcja dzień/noc
- Rozdzielczość przetwornika: 3.0 megapiksele
- Czułość: 0.1 lx/F=1.8 (DSS)
- Szeroki zakres dynamiki (WDR) - funkcja poprawiająca jakość obrazu dla różnych poziomów oświetlenia sceny
- Wydłużony czas ekspozycji (DSS)
- Cyfrowa redukcja szumu (DNR)
- Typ obiektywu: stałogniskowy, f=3.6 mm
- 5 stref prywatności
- Wbudowany webserwer: kompresja i transmisja przez sieć wideo i audio w czasie rzeczywistym
- Kompresja H.264 lub M-JPEG
- Maksymalna rozdzielczość przetwarzania wideo: 2048 x 1536
- Praca w trybie czterostrumieniowym - możliwość definiowania kompresji, rozdzielczości, prędkości i jakości dla strumieni
- Przesyłanie wideo w standardzie RTP/RTSP
- Funkcje przed-alarmu i po-alarmu - nagrywanie wideo w formacie AVI
- Funkcja harmonogramu
- Sprzętowa detekcja ruchu
- Wbudowany web serwer – możliwość podglądu i konfiguracji ustawień kamery przez stronę www
- Obsługa kart micro SD/SDHC
- Możliwość szerokiego definiowania reakcji systemu na zdarzenia alarmowe: e-mail z załącznikiem, zapis pliku na serwer FTP, wyzwolenie wyjścia alarmowego, zapis pliku na kartę micro SD/SDHC, powiadomienie HTTP
- Obsługa protokołów: Onvif (2.0), HTTP, TCP/IP, IPv4/v6, UDP, HTTPS, Multicast, FTP, DHCP, DDNS, NTP, RTSP, RTP, UPnP, SNMP, QoS
- Oprogramowanie: NMS (NOVUS MANAGEMENT SYSTEM) - do rejestracji wideo, podglądu „na żywo”, odtwarzania oraz zdalnej konfiguracji urządzeń wideo IP
- Klasa szczelności IP 66
- Obudowa o podwyższonej wytrzymałości mechanicznej
- Zasilanie: PoE (Power over Ethernet)

## INFORMACJE WSTĘPNE

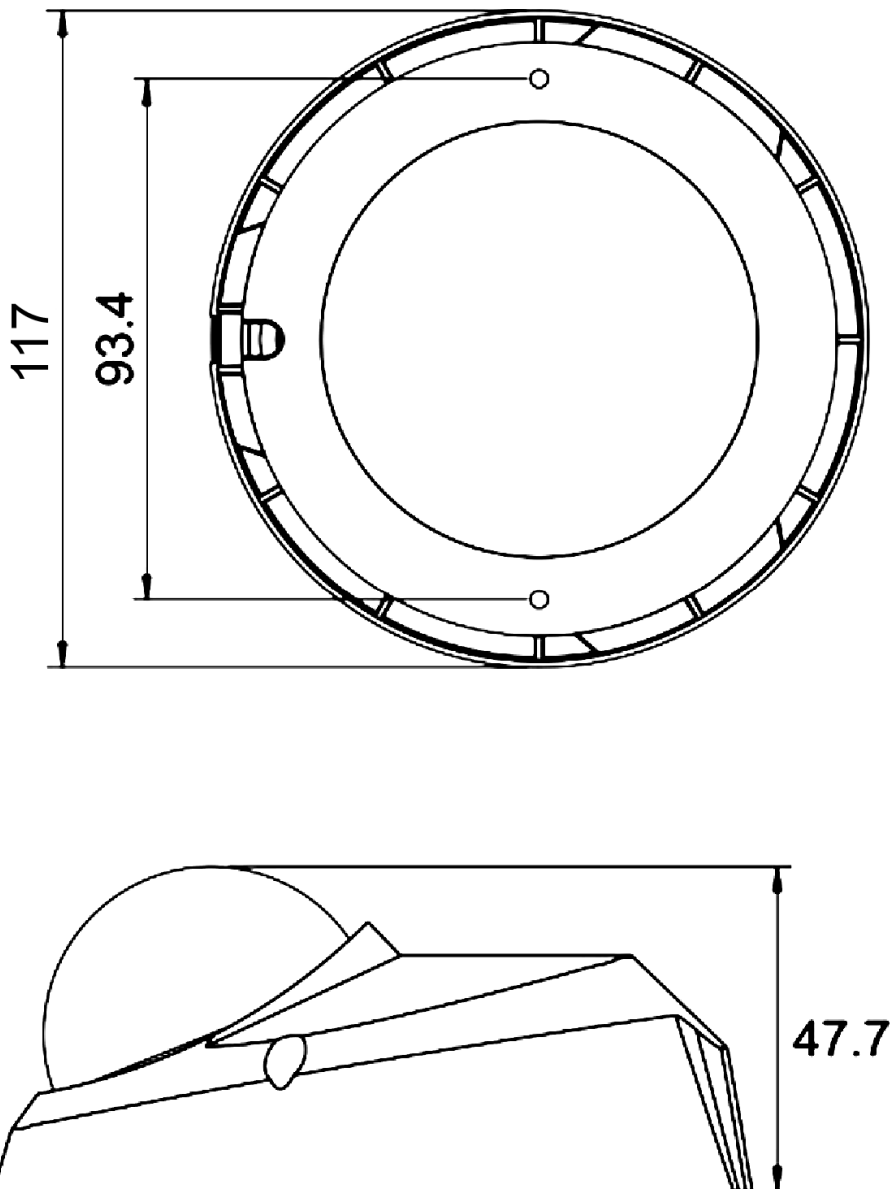
### 1.2. Dane techniczne

Model	<b>NVIP-3C7520V-P</b>
<b>OBRAZ</b>	
Przetwornik obrazu	3.0 MPX, matryca CMOS, 1/2.8"
Liczba efektywnych pikseli	2048 (H) x 1536 (V)
Czułość	0.1 lx/F=1.8 - tryb kolorowy (DSS), 0.1 lx/F=1.8 - tryb czarno-biały (DSS)
Wydłużona migawka (DSS)	do 1 s
Szeroki zakres dynamiki (WDR)	tak
Cyfrowa redukcja szumu (DNR)	tak
<b>OBIEKTYW</b>	
Typ obiektywu	standardowy, f=3.6 mm/F=1.8
Poziomy kąt widzenia obiektywu	78°
<b>DZIEŃ/NOC</b>	
Rodzaj	elektroniczna funkcja dzień/noc
Tryb przełączania	automatyczny
<b>SIEĆ</b>	
Rozdzielczość strumienia wideo	2048 x 1536, 1920 x 1080, 1280 x 1024, 1280 x 720, 1024 x 768, 800 x 600, 720 x 576, 640 x 480, 352 x 288
Prędkość przetwarzania	15 kl/s dla 2048 x 1536, 30 kl/s dla 1920 x 1080 i niższych
Tryb wielostrumieniowy	4 strumienie
Kompresja wideo	H.264, M-JPEG/G.711, G.726
Obsługiwane protokoły sieciowe	Onvif (2.0), HTTP, TCP/IP, IPv4/v6, UDP, HTTPS, Multicast, FTP, DHCP, PPPoE, DDNS, NTP, RTSP, RTP, UPnP, SNMP, QoS
Programy na PC	NOVUS NMS, Internet Explorer
<b>POZOSTAŁE FUNKCJE</b>	
Menu ekranowe	w oknie przeglądarki, języki: polski, angielski, rosyjski i inne
Strefy prywatności	5
Detekcja ruchu	tak
Prealarm/postalarm	20 klatek obrazu lub 3 s/20 klatek obrazu lub 9999 s
Reakcja na zdarzenia alarmowe	e-mail z załącznikiem, zapis na FTP, zapis na karcie SD, powiadomienie HTTP
NTP	synchronizacja z wybranym serwerem
<b>INTERFEJSY</b>	
Interfejs sieciowy	1 x Ethernet - złącze RJ-45, 10/100 Mbit/s
Gniazdo kart pamięci	tak
<b>PARAMETRY INSTALACYJNE</b>	
Wymiary (mm)	117 (Ø) x 48 (wys)
Masa	280 g
Obudowa	wandaloodporna, aluminiowa, lakierowana w kolorze białym
Zasilanie	PoE
Pobór mocy	3,5 W
Temperatura pracy	-10°C ~ 50°C
Klasa szczelności	IP 66

## INFORMACJE WSTĘPNE

### 1.3. Wymiary kamery

Wymiary podano w mm.



## INFORMACJE WSTĘPNE

---

---

### 1.4. Zawartość opakowania

Po otwarciu należy upewnić się czy w opakowaniu znajdują się następujące elementy:

- Kamera IP
- Torebka z akcesoriami montażowymi
- Skrócona instrukcja obsługi urządzenia.
- Płyta CD z instrukcją obsługi i oprogramowaniem

pl

Jeżeli którykolwiek z elementów został uszkodzony w transporcie, należy spakować zawartość z powrotem do oryginalnego opakowania i skontaktować się z dostawcą.

### UWAGA!

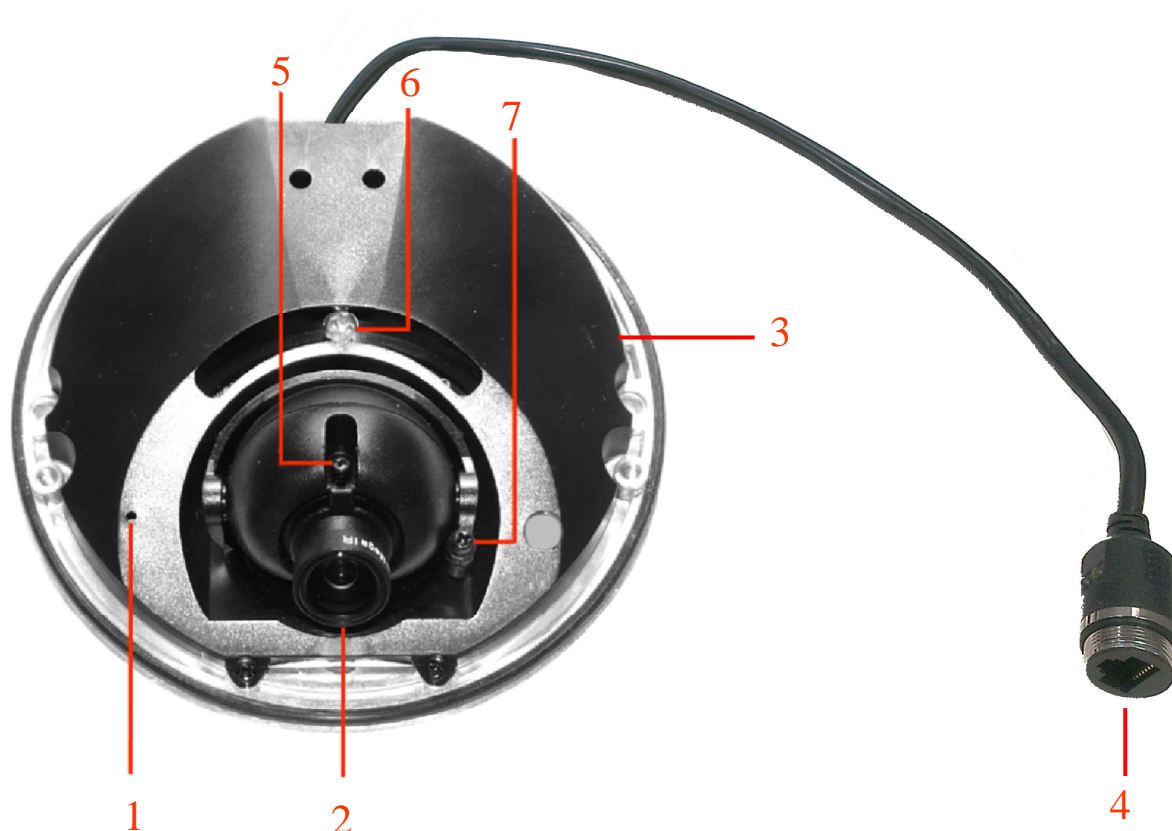
**Jeżeli urządzenie przyniesione zostało z pomieszczenia o niższej temperaturze należy odczekać aż osiągnie temperaturę pomieszczenia, w którym ma pracować. Nie wolno włączać urządzenia bezpośrednio po przyniesieniu z chłodniejszego miejsca. Kondensacja zawartej w powietrzu pary wodnej może spowodować zwarcia i w konsekwencji uszkodzenie urządzenia.**

**Przed uruchomieniem urządzenia należy zapoznać się z opisem i rolą poszczególnych wejść, wyjść oraz elementów regulacyjnych, w które wyposażone są kamery.**

## URUCHAMIANIE I WSTĘPNA KONFIGURACJA KAMERY IP

### 2. URUCHAMIANIE I WSTĘPNA KONFIGURACJA KAMERY IP

#### 2.1. Opis złączy elektrycznych oraz elementów regulacyjnych



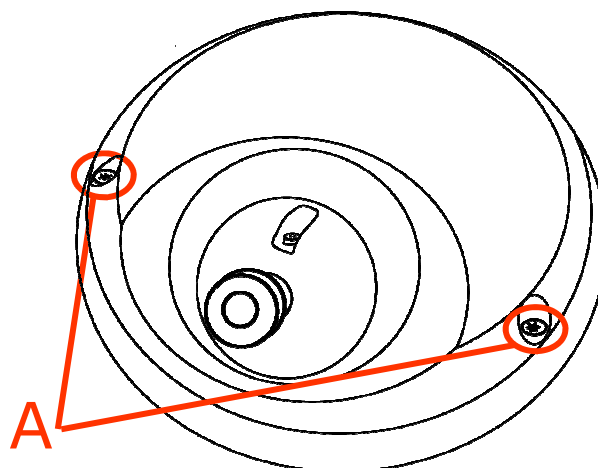
1. Przycisk Reset
2. Obiektyw
3. Złącze kart microSD
4. Port Ethernet 100 Mb/s (gniazdo RJ-45)
5. Śruba kontruująca obiektyw
6. Śruba kontruująca położenie kamery w płaszczyźnie poziomej
7. Śruba kontruująca położenie kamery w płaszczyźnie pionowej

## URUCHAMIANIE I WSTĘPNA KONFIGURACJA KAMERY IP

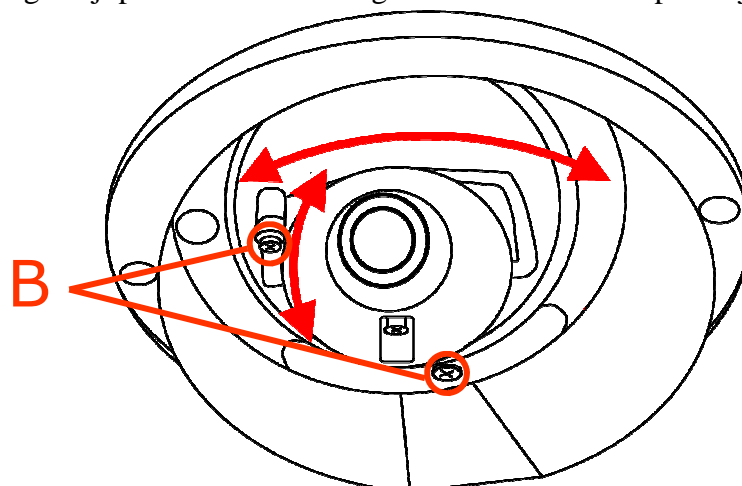
### 2.2. Montaż kamery

W celu zamontowania kamery należy zgodnie z podaną procedurą:

- Odkręcić 2 śruby oznaczone „A”, a następnie zdjąć klosz kamery.  
UWAGA: Należy zwrócić uwagę, aby gumowe podkładki znajdujące się na śrubach pozostały na swoim miejscu.



- Przyłożyć podstawę kamery do ściany lub sufitu.
- Wzorując się na położeniu otworów w podstawie kamery, przy pomocy ostrego punktaka zaznaczyć punkty pod przyszłe otwory mocujące i przepust kablowy
- Wywiercić 2 otwory mocujące.
- Wywiercić otwór pod kabel sygnałowy w miejscu podłączenia.
- Zamocować kamerę przy użyciu załączonych kołków i wkrętów. W celu zachowania szczelności kamery między łbem wkręta, a kamerą należy umieścić uszczelkę znajdującą się w akcesoriach kamery.
- Poluzować wkrętakiem śruby regulacji pionowej i obrotu modułu kamery (oznaczone „B”).
- Dokonać regulacji położenia modułu zgodnie ze schematem poniżej.





## URUCHAMIANIE I WSTĘPNA KONFIGURACJA KAMERY IP

---

---

- Zablokować wkrętakiem śruby regulacji pionowej i obrotu modułu kamery (oznaczone „B”).

UWAGA: Nie należy regulować ustawienia ostrości obiektywu. Kamera ma fabrycznie ustawioną ostrość, skorygowaną do pracy z kopułą obudowy. Po zdjęciu kopuły ostrość będzie pogorszona, dlatego weryfikację ostrości należy każdorazowo przeprowadzać przy założonej kopule.

W przypadku próby regulacji ostrości po zdjęciu kopuły efekt będzie niezadowalający, ponieważ kopuła wprowadza przesunięcie punktu ostrości. W takim przypadku należy próbować korygować ustawienie ostrości i każdorazowo sprawdzać efekt zakładając kopułę.

- Założyć klosz kamery na podstawę i przykręcić wkrętami.

## URUCHAMIANIE I WSTĘPNA KONFIGURACJA KAMERY IP

### 2.3. Uruchomienie kamery IP

W celu uruchomienia kamery należy podłączyć kabel ethernetowy do gniazda sieciowego RJ45 kamery IP, a drugi koniec do przełącznika sieciowego PoE w standardzie zgodnym z IEEE 802.3af.

Po uruchomieniu zasilania zostanie zaświecona zielona dioda. Oznacza to poprawne połączenie z przełącznikiem sieciowym. Migająca pomarańczowa dioda oznacza transfer danych.

Po upływie ok. 30s można przystąpić do łączenia się z kamerą przez przeglądarkę internetową. Jeśli połączenie nie zostanie nawiązane (kabel sieciowy rozłączony) sygnalizowane jest to poprzez wygaszenie zielonej diody przy gnieździe ethernet.

Zalecaną metodą uruchomienia i konfiguracji kamery IP jest połączenie jej do komputera PC lub laptopa w wydzielonym przełączniku PoE do którego nie ma podłączonych innych urządzeń. W celu uzyskania danych potrzebnych do konfiguracji sieci (adres IP, brama, maska sieci itd.) należy skontaktować się z administratorem sieci, w której urządzenie ma pracować.

- Połączenie wykorzystujące przełącznik sieciowy z PoE



#### UWAGA:

W celu ochrony kamery przed uszkodzeniem zalecane jest zastosowanie zabezpieczeń przepięciowych. Awarie powstałe w wyniku przepięć nie podlegają naprawie gwarancyjnej.

## URUCHAMIANIE I WSTĘPNA KONFIGURACJA KAMERY IP

---

---

### 2.4. Konfiguracja parametrów przy użyciu przeglądarki internetowej

Konfigurację sieciową kamery można przeprowadzić przy pomocy przeglądarki internetowej.

Domyślne ustawienia sieciowe dla kamer IP serii NVIP-.... to :

1. Adres IP = **192.168.1.200**
2. Maska sieci - **255.255.255.0**
3. Brama - **192.168.1.1**
4. Nazwa użytkownika - **root**
5. Hasło - **pass**

Znając adres IP kamery należy ustawić adres IP komputera w taki sposób aby oba urządzenia pracowały w jednej podsieci (dla adresu IP kamery 192.168.1.200 jako adres IP komputera PC możemy ustawić adres z zakresu 192.168.1.0 - 192.168.1.254, np.: 192.168.1.60). Niedopuszczalne jest ustawianie adresu komputera takiego samego jak adres kamery.

Wykorzystując połączenie przez przeglądarkę internetową Internet Explorer lub oprogramowanie NMS należy ustawić docelową konfigurację sieciową (adres IP, maskę sieci, bramę, serwery DNS) lub włączyć tryb pracy DHCP pozwalający na pobranie adresu IP z serwera DHCP (wymagany jest wówczas działający serwer DHCP). W przypadku korzystania z serwera DHCP należy upewnić się co do długości okresu dzierżawy adresu IP, jego powiązania z adresem MAC kamery IP w celu uniknięcia zmiany lub utraty adresu IP w czasie pracy urządzenia lub chwilowej awarii sieci / serwera DHCP. Należy pamiętać że po zmianie adresu IP kamera zostanie zresetowana i trzeba wpisać nowy adres w przeglądarce internetowej.

Po konfiguracji ustawień sieciowych pozwalających na bezkonfliktową pracę urządzenia, kamerę IP możemy podłączyć do sieci docelowej.

## POŁĄCZENIA SIECIOWE ZA POMOCĄ PRZEGLĄDARKI WWW

### 3 POŁĄCZENIA SIECIOWE ZA POMOCĄ PRZEGLĄDARKI WWW

#### 3.1. Zalecana konfiguracja komputera PC do połączeń przez przeglądarkę WWW

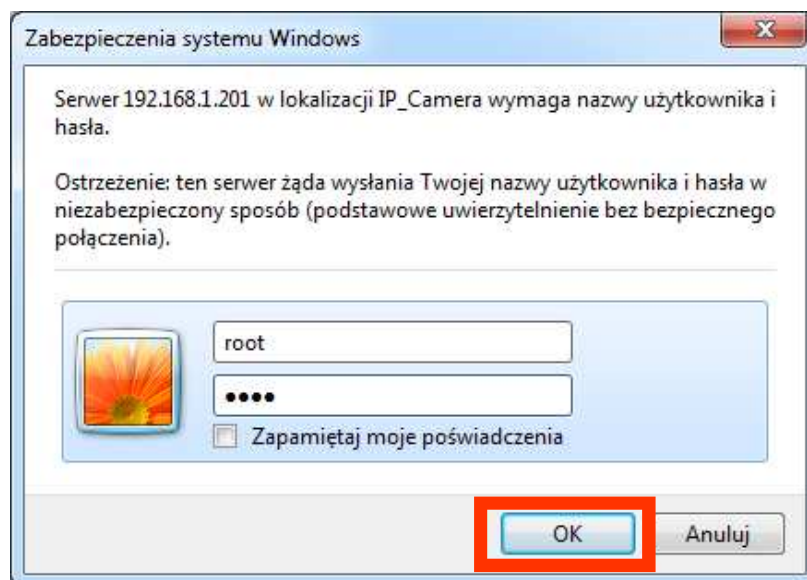
Poniższe wymagania dotyczą połączenia z kamerą IP przy założeniu płynnego wyświetlania obrazu wideo w rozdzielczości 1920x1080 dla 25kl/s.

1. Procesor **Intel Pentium IV 3 GHz** lub wyższy
2. Pamięć **RAM min. 512 MB**
3. Karta grafiki (dowolna obsługująca wyświetlanie **Direct 3D z min. 128MB pamięci RAM**)
4. System operacyjny **Windows XP / VISTA/ Windows 7**
5. **Direct X** w wersji **9.0** lub wyższej
6. Karta sieciowa **10/100/1000 Mb/s**

#### 3.2. Połączenie sieciowe z kamerą IP za pomocą przeglądarki Internet Explorer

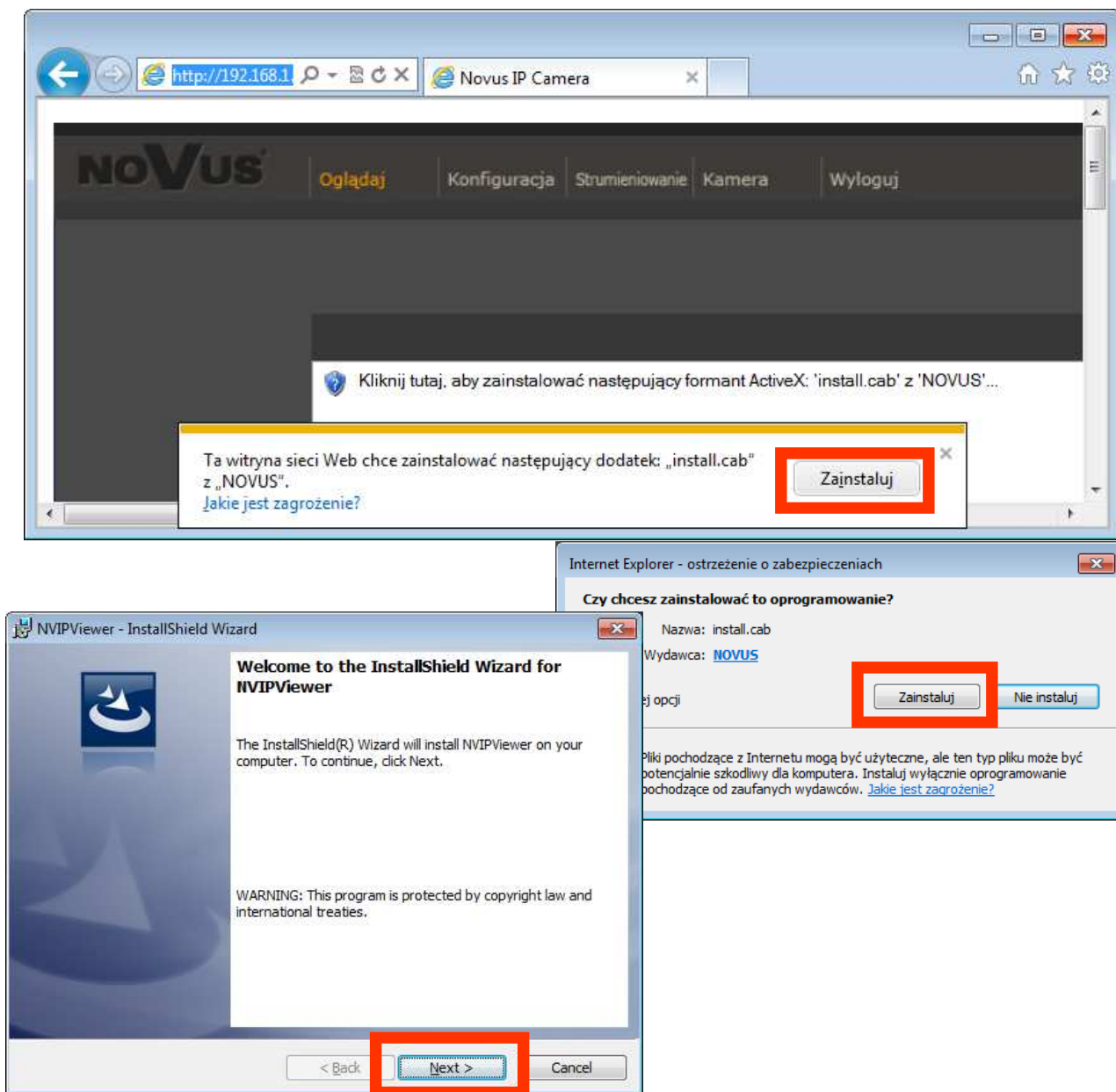
W pasku adresu przeglądarki Internet Explorer należy wpisać adres IP kamery. Jeśli podany adres jest prawidłowy i docelowe urządzenie jest w danej chwili osiągalne zostanie wyświetlone okno logowania do interfejsu sieciowego:

Domyślny użytkownik to **root** a hasło **pass**. Ze względów bezpieczeństwa zaleca się zmianę domyślnych wartości. Nową nazwę użytkownika i hasło należy zapamiętać lub zapisać w bezpiecznym miejscu.



Po prawidłowym zalogowaniu się do kamery Internet Explorer pobierze z urządzenia aplet odpowiedzialny za wyświetlanie obrazu z kamery. W zależności od aktualnych ustawień bezpieczeństwa może okazać się konieczne zaakceptowanie nieznanego dla systemu formantu ActiveX. W tym celu należy kliknąć prawym przyciskiem myszy na komunikacie, wybrać opcję „Uruchom dodatek” a następnie kliknąć *Zainstaluj*. Po pobraniu dodatku NVIP Viewer należy go zainstalować na komputerze.

## POŁĄCZENIA SIECIOWE ZA POMOCĄ PRZEGLĄDARKI WWW



Jeżeli instalacja przeprowadzona w ten sposób się nie powiedzie należy zmienić ustawienia zabezpieczeń przeglądarki. Aby to zrobić należy w przeglądarce Internet Explorer wybrać: *Narzędzia > Opcje internetowe > Zabezpieczenia > Poziom niestandardowy* i następnie zmienić:

- Pobieranie niepodpisanych formantów ActiveX - należy ustawić **Włącz** lub **Monituj**
- Inicjowanie i wykonywanie skryptów formantów ActiveX niezaznaczonych jako bezpieczne do wykonywania - należy ustawić **Włącz** lub **Monituj**

Można również dodać adres IP kamer do strefy *Zaufane witryny* i ustawić dla tej strefy niski poziom zabezpieczeń.

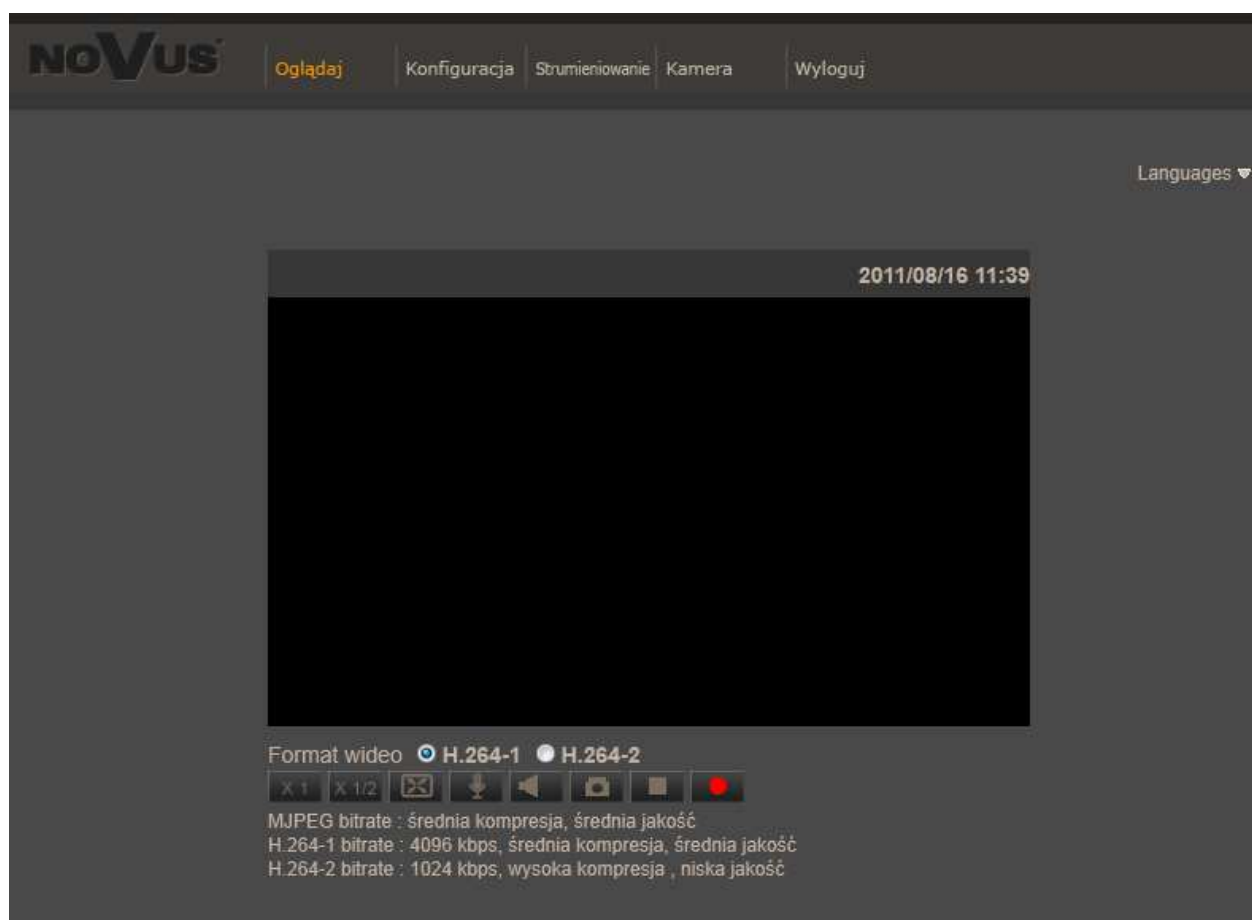
Dodatkowo w przypadku pracy w systemie Windows Vista i 7 możliwe jest zablokowanie apletu ActiveX przez Windows Defender i Kontrolę konta użytkownika. W takim przypadku należy zezwolić na uruchamianie dodatku lub po prostu wyłączyć działanie blokujących aplikacji.

## POŁĄCZENIA SIECIOWE ZA POMOCĄ PRZEGLĄDARKI WWW

### 3.3. Połączenie sieciowe z kamera IP za pomocą innych przeglądarek (np. Chrome, Mozilla Firefox, Safari )

Możliwe jest również połączenie z kamerą przy pomocy innych przeglądarek, ale połączenie takie może nie oferować pełnej funkcjonalności kamery, dlatego zalecaną przeglądarką jest Internet Explorer.

Pierwsze uruchomienie kamery IP w przeglądarce Mozilla Firefox przebiega podobnie do jak w przypadku IE. Po wpisaniu właściwego adresu IP należy wpisać użytkownika i hasło. Domyślny użytkownik to **root** a hasło **pass**.



Po zalogowaniu się otrzymamy okno podglądu wideo bez wyświetlanego strumienia. W celu podglądu strumienia należy pobrać i zainstalować aplikację QuickTime ze strony:

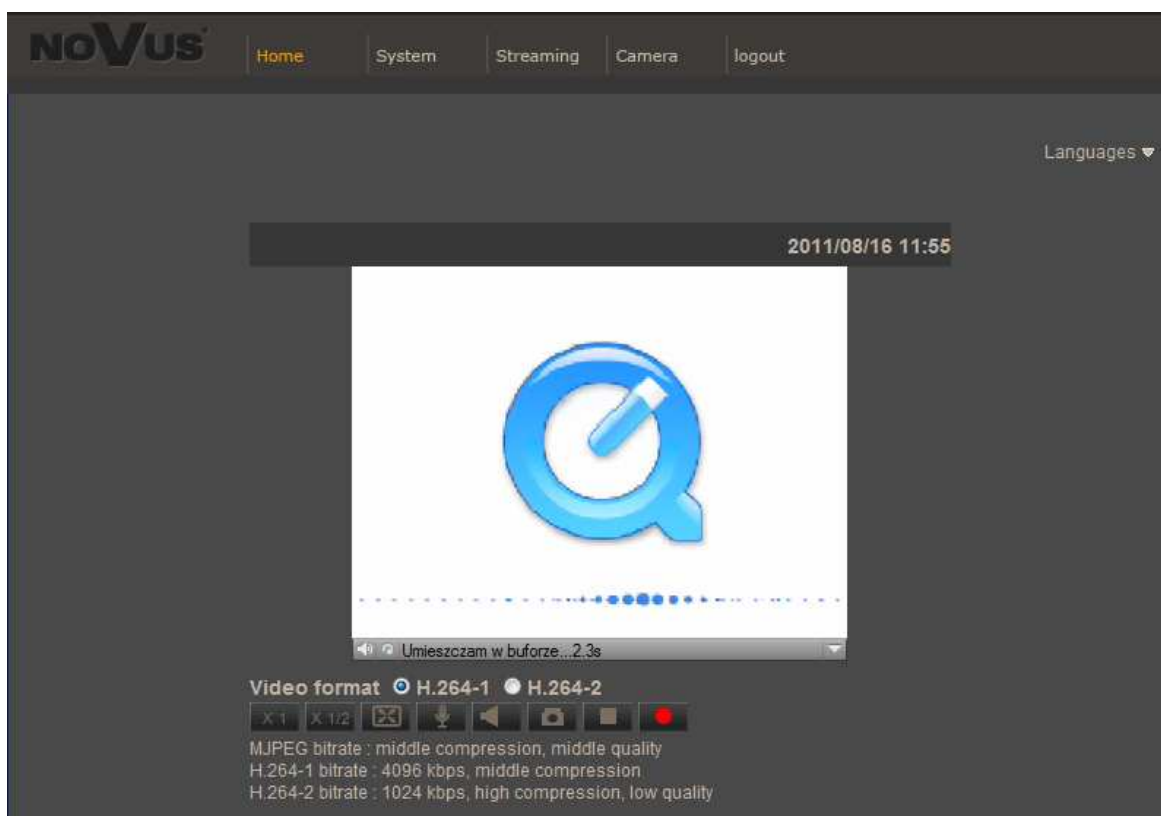
<http://www.apple.com/pl/quicktime/download/>

## POŁĄCZENIA SIECIOWE ZA POMOCĄ PRZEGLĄDARKI WWW



pl

Następnie pojawi się okno potwierdzające instalację poszczególnych komponentów. Po prawidłowym zainstalowaniu niezbędnych składników w oknie przeglądarki powinien pojawić się obraz z kamery.

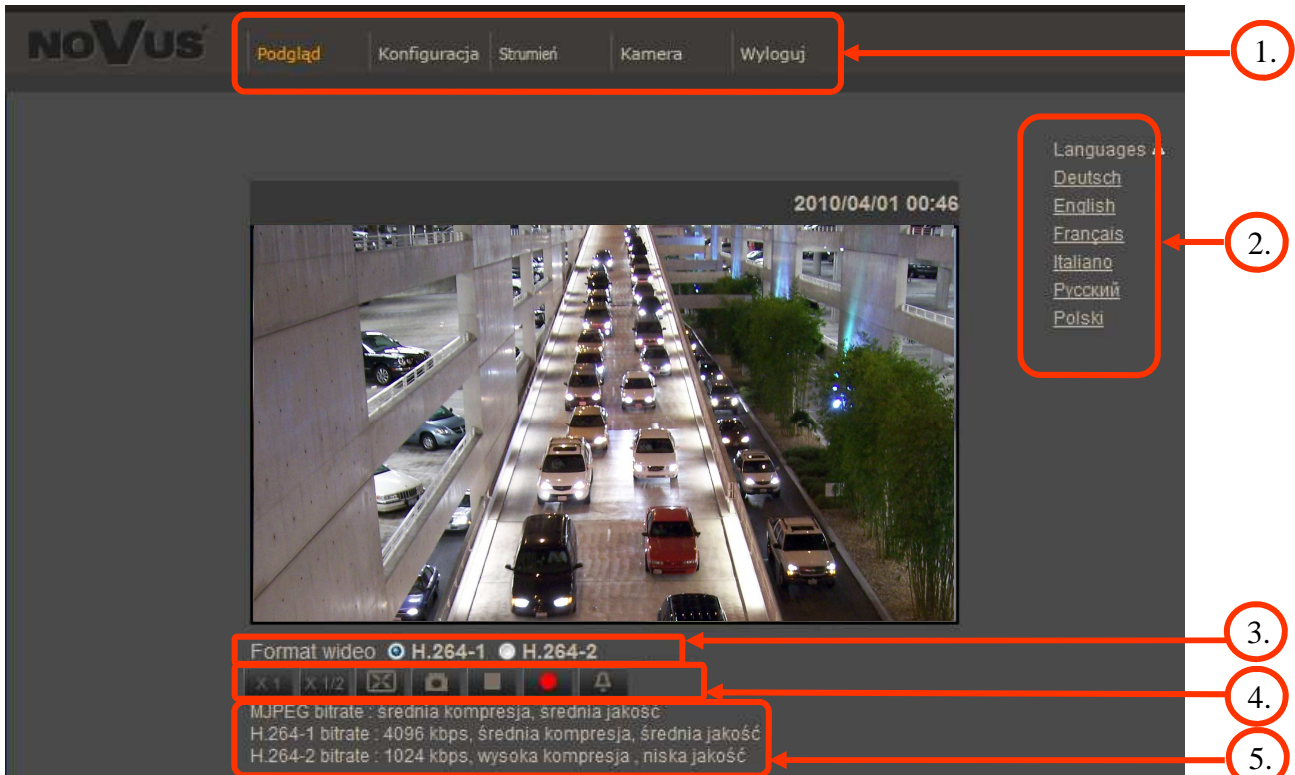




## INTERFEJS WWW - PRACA Z KAMERA

### 4. INTERFEJS WWW - PRACA Z KAMERA

#### 4.1. Wyświetlanie obrazu na żywo



#### 1. Menu podglądu i konfiguracji kamery

Podgląd — podgląd obrazu na żywo z kamery

Konfiguracja — ustawienia kamery ( np. IP, nagrywanie, powiadomienia, detekcja ruchu)

Strumień — ustawienia parametrów strumieni video i audio

Kamera — ustawienia parametrów obrazu kamery

Wyloguj — wylogowanie aktualnego użytkownika

#### 2. Wybór języka menu kamery.

#### 3. Wybór formatu strumienia do podglądu na żywo.

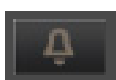
#### 4. Menu ustawień przy podglądzie „na żywo”:



- wielkość wyświetlania obrazu w przeglądarce



- włączenie trybu pełnoekranowego



- włączenie zdarzeń alarmowych zdefiniowanych w menu „Konfiguracja” -> „Zdarzenie” -> „Wyzwalanie ręczne”



## INTERFEJS WWW - PRACA Z KAMERA



- zdjęcie - zapis aktualnego obrazu jako plik \*.JPG



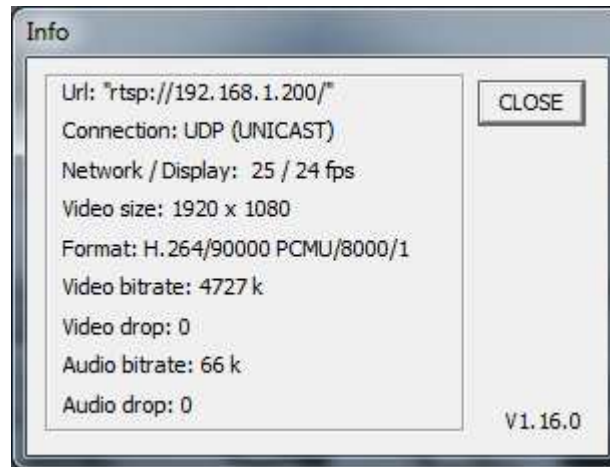
- zatrzymanie/uruchomienie podglądu na żywo



-zapis aktualnego obrazu jako plik AVI

### 5. Parametry aktualnie zdefiniowanych strumieni.

Po podwójnym kliknięciu lewym przyciskiem myszy na ekranie wideo dostępne są dodatkowe informacje o aktualnie wyświetlanym obrazie.



pl

## POŁĄCZENIA ELEKTRYCZNE I ZŁĄCZA AKCESORIÓW

---

---

### 5. POŁĄCZENIA ELEKTRYCZNE I ZŁĄCZA AKCESORIÓW

#### 5.1. Podłączenie zasilania kamery

Kamera jest zasilana poprzez gniazdo sieciowe RJ45 przy wykorzystaniu technologii PoE (IEEE 802.3af). Do zasilania kamery należy użyć przełącznika sieciowego PoE lub zasilacza PoE zgodnego ze standardem IEEE 802.3af.

#### UWAGA:

W celu ochrony kamery przed uszkodzeniem zalecane jest zastosowanie zabezpieczeń przepięciowych. Awarie powstałe w wyniku przepięć nie podlegają naprawie gwarancyjnej.

#### 5.2. Instalacja karty SD

Kamera obsługuje karty microSD i microSDHC o pojemności do 32GB. W celu prawidłowej instalacji karty należy postępować zgodnie z instrukcją:

- Sformatować kartę systemem plików FAT32 przy użyciu komputera PC
- Wyłączyć zasilanie kamery
- Zainstalować kartę SD w gnieździe znajdującym się przy podstawie kamery zgodnie z rysunkiem



- Włączyć kamerę
- Sprawdzić poprawność zainstalowania karty przez zweryfikowanie jej rozmiaru w zakładce *ZARZĄDZANIE DYSKAMI*.

## PRZYWRACANIE USTAWIEŃ FABRYCZNYCH KAMERY

---

---

### 6. PRZYWRACANIE USTAWIEŃ FABRYCZNYCH KAMERY

Kamery IP firmy NOVUS umożliwiają resetowanie ustawień:

- programowo (z poziomu przeglądarki) restartowanie ustawień kamery
- sprzętowo (przy użyciu przycisku reset) przywracanie ustawień fabrycznych kamery.

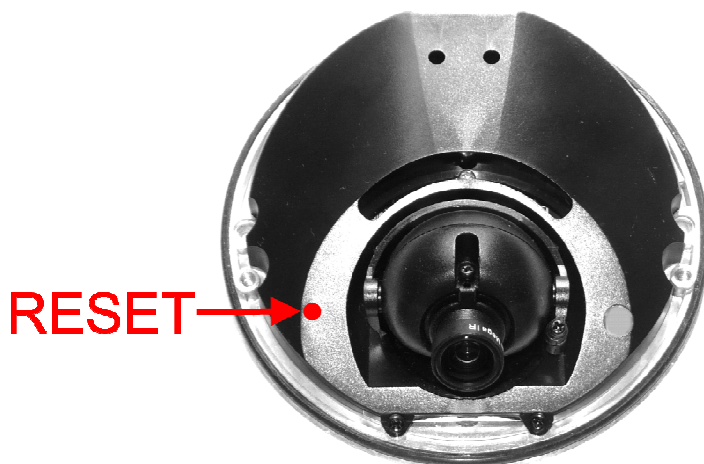
#### 6.1. Programowe resetowanie ustawień kamery IP

Resetowanie ustawień kamery IP powoduje przywrócenie wszystkich domyślnych ustawień kamery (opcjonalnie z pominięciem ustawień sieciowych). Kamera zostanie ponownie uruchomiona po ok. 1 minucie. Opcja do programowego przywrócenia ustawień fabrycznych znajduje się w zakładce *KONFIGURACJA > USTAWIENIA FABRYCZNE*.

#### 6.2. Przywracanie ustawień fabrycznych kamery IP (sprzętowe)

W celu sprzętowego przywrócenia ustawień fabrycznych kamery IP należy postępować zgodnie z instrukcją:

- wcisnąć przycisk *RESET* i przytrzymać przez 10 sekund.
- zwolnić przycisk
- zalogować się ponownie po ok. 1 minucie używając domyślnego adresu IP (<http://192.168.1.200>), nazwy użytkownika (root) i hasła (pass)



Przycisk reset znajduje się wewnątrz otworu zaznaczonego na rysunku. Do jego wciśnięcia zalecane się użyć płaskiego cienkiego przedmiotu

**NOVUS<sup>®</sup>**

2014-05-19 TŁ, MM