

User's manual (short form)



NVIP-3DN3050H/IR-1P
NVIP-3DN3051H/IR-1P



NVIP-3DN3052H/IR-1P

NOVUS[®]

IMPORTANT SAFEGUARDS AND WARNINGS

EMC (2004/108/EC) and LVD (2006/95/EC) Directives



Our products are manufactured to comply with requirements of the following directives and national regulations implementing the directives:

- Electromagnetic compatibility EMC 2004/108/EC.
- Low voltage LVD 2006/95/EC with further amendment. The Directive applies to electrical equipment designed for use with a voltage rating of between 50VAC and 1000VAC as well as 75VDC and 1500VDC.

WEEE Directive 2002/96/EC



Information on Disposal for Users of Waste Electrical and Electronic Equipment

This appliance is marked according to the European 1000VAC Directive on Waste Electrical and Electronic Equipment (2002/96/EC) and further amendments. By ensuring this product is disposed of correctly, you will help to prevent potential negative consequences for the environment and human health, which could otherwise be caused by inappropriate waste handling of this product.

The symbol on the product, or the documents accompanying the product, indicates that this appliance may not be treated as household waste. It shall be handed over to the applicable collection point for used up electrical and electronic equipment for recycling purpose. For more information about recycling of this product, please contact your local authorities, your household waste disposal service or the shop where you purchased the product.

RoHS Directive 2002/95/EC



Out of concern for human health protection and friendly environment, we assure that our products falling under RoHS Directive regulations, regarding the restriction of the use of hazardous substances in electrical and electronic equipment, have been designed and manufactured in compliance with the above mentioned regulations. Simultaneously, we claim that our products have been tested and do not contain hazardous substances whose exceeding limits could have negative impact on human health or natural environment

Information

The device, as a part of professional CCTV system used for surveillance and control, is not designed for self installation in households by individuals without technical knowledge.

Excluding of responsibility in case of damaging data on a disk or other devices:

The manufacturer does not bear any responsibility in case of damaging or losing data on a disk or other devices during device operation.

WARNING!

PRIOR TO UNDERTAKING ANY ACTION THAT IS NOT DESCRIBED FOR THE GIVEN PRODUCT IN USER'S MANUAL AND OTHER DOCUMENTS DELIVERED WITH THE PRODUCT, OR IF IT DOES NOT ARISE FROM THE USUAL APPLICATION OF THE PRODUCT, MANUFACTURER MUST BE CONTACTED UNDER THE RIGOR OF EXCLUDING THE MANUFACTURER'S RESPONSIBILITY FOR THE RESULTS OF SUCH AN ACTION.

IMPORTANT SAFEGUARDS AND WARNINGS

WARNING!

THE KNOWLEDGE OF THIS MANUAL IS AN INDESPENSIBLE CONDITION OF A PROPER DEVICE OPERATION. YOU ARE KINDLY REQUESTED TO FAMILIRIZE YOURSELF WITH THE MANUAL PRIOR TO INSTALLATION AND FURTHER DEVICE OPERATION.

WARNING!

USER IS NOT ALLOWED TO DISASSEMBLE THE CASING AS THERE ARE NO USER -SERVICEABLE PARTS INSIDE THIS UNIT. ONLY AUTHORIZED SERVICE PERSONNEL MAY OPEN THE UNIT

INSTALLATION AND SERVICING SHOULD ONLY BE DONE BY QUALIFIED SERVICE PERSONNEL AND SHOULD CONFORM TO ALL LOCAL REGULATIONS

1. Prior to undertaking any action please consult the following manual and read all the safety and operating instructions before starting the device.
2. Please keep this manual for the lifespan of the device in case referring to the contents of this manual is necessary;
3. All the safety precautions referred to in this manual should be strictly followed, as they have a direct influence on user's safety and durability and reliability of the device;
4. All actions conducted by the servicemen and users must be accomplished in accordance with the user's manual;
5. The device should be disconnected from power sources during maintenance procedures;
6. Usage of additional devices and components neither provided nor recommended by the producer is forbidden;
7. You are not allowed to use the camera in high humidity environment (i.e. close to swimming pools, bath tubs, damp basements);
8. Mounting the device in places where proper ventilation cannot be provided (e. g. closed lockers etc.) is not recommended since it may lead to heat build-up and damaging the device itself as a consequence;
9. Mounting the camera on unstable surface or using not recommended mounts is forbidden. Improperly mounted camera may cause a fatal accident or may be seriously damaged itself. The camera must be mounted by qualified personnel with proper authorization, in accordance with this user's manual.
10. Device should be supplied only from a power sources whose parameters are in accordance with those specified by the producer in the camera technical datasheet. Therefore, it is forbidden to supply the camera from a power sources with unknown parameters, unstable or not meeting producer's requirements;

TABLE OF CONTENTS

TABLE OF CONTENTS	4
1. FOREWORD INFORMATION	5
1.1. General characteristics.....	5
1.2. Technical specification	6
1.3. Camera dimension	7
1.4. Package contents.....	7
2. START-UP AND INITIAL IP CAMERA CONFIGURATION	8
2.1. Description of connectors and control tools.....	8
2.2. Cameras mounting.....	9
2.3. Desiccant mounting guide	10
2.4. Starting the IP camera.....	12
3. NETWORK CONNECTION UTILIZING WEB BROWSER	14
3.1. Recommended PC specification for web browser	14
3.2. Connection with IP camera via web browser.....	14
4. USING AND CONFIGURING	16
4.1. Remote Preview Interface.	16
5. ELECTRIC CONNECTORS AND ACCESORIES	17
5.1. Connecting power supply to the camera.	17
5.2. Camera control RS.	17
5.3. Connecting alarm inputs/outputs.....	17
5.4. SD card installation.	18
6. RESTORING FACTORY DEFAULTS	19
6.1. Restoring software factory defaults.....	19
6.2. Restoring factory defaults by hardware means	19

FOREWORD INFORMATION

1. FOREWORD INFORMATION

1.1. General Characteristics

- Imager resolution: 3 megapixels
- Mechanical IR cut filter ,IR operation capability
- Min. Illumination from 0 lx with IR LED on
- Wide Dynamic Range (WDR) for enhanced image quality in diverse light conditions
- Digital Noise Reduction (DNR)
- Lens type: Standard, f=4 mm/F=1.6 (NVIP-3DN3050H/IR-1P)
Varifocal, f=2.8 ~ 12 mm/F=1.4 (NVIP-3DN3051H/IR-1P)
Varifocal, f=7 ~ 22 mm/F=1.6 (NVIP-3DN3052H/IR-1P)
- Built-in LED illuminator: 42 pcs LED (NVIP-3DN3050H/IR-1P)
36 pcs LED (NVIP-3DN3051H/IR-1P)
25 pcs LED (NVIP-3DN3052H/IR-1P)
- Compression: H.264
- Max video processing resolution: 2048 x 1536
- Multi streaming: compression, resolution, speed and quality defined individually for each video stream
- RTP/RTSP protocol support for video transmission
- Post-alarm functions
- Hardware motion detection
- Built-in webserver: camera configuration through the website
- Wide range of responses to alarm events: e-mail with attachment, saving file on FTP server (all cameras) and triggering alarm output, saving file on SD/SDHC card
- Software: NMS (NOVUS MANAGEMENT SYSTEM) for video recording, live monitoring, playback and remote IP devices administration
- Power supply: 12VDC, PoE (Power over Ethernet)

FOREWORD INFORMATION

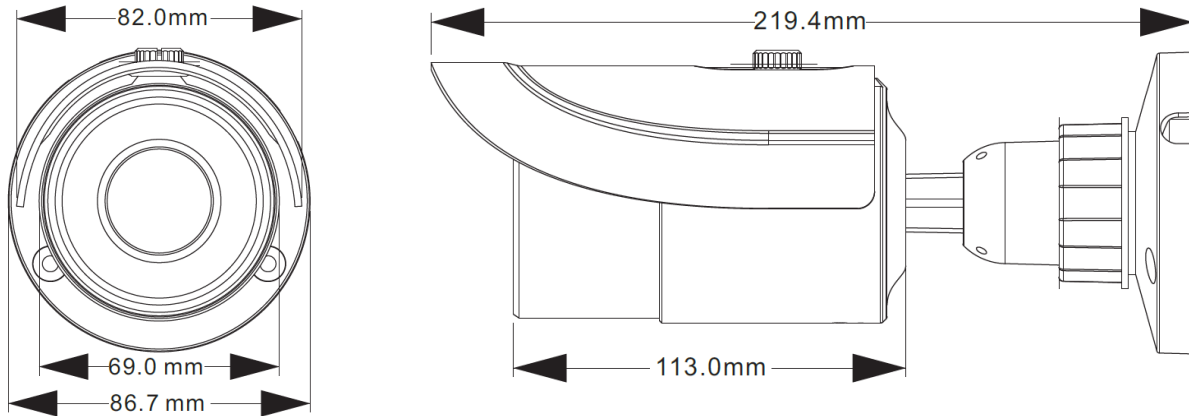
1.2. Technical specification

	NVIP-3DN3050H/IR-1P	NVIP-3DN3051H/IR-1P	NVIP-3DN3052H/IR-1P
IMAGE			
Pick-up Element	1/3" CMOS imager		
Number of Effective Pixels	2048 (H) x 1536 (V)		
Min. Illumination	0.14 lx/F=1.6 - color mode, 0 lx - IR on	0.19 lx/F=1.4 - color mode, 0 lx - IR on	0.11 lx/F=1.6 - color mode, 0 lx - IR on
Wide Dynamic Range (WDR)	Yes		
Digital Noise Reduction (DNR)	Yes		
LENS			
Type	Standard, f=4 mm/F=1.6	Varifocal, f=2.8 ~ 12 mm /F=1.4	Varifocal, f=7 ~ 22 mm /F=1.6
Angle of View (H)	62°	72° ~ 27°	30° ~ 13°
DAY/NIGHT			
Type	Mechanical IR cut filter		
Switching Mode	Auto/manual		
NETWORK			
Stream Resolution	2048 x 1536 (QXGA), 2304 x 1296, 1920x1080 (FullHD), 1280x720(HD), 640x480(VGA), 320x240(QVGA)		
Frame Rate	30 fps for each resolution		
Multistreaming Mode	3 streams		
Video Compression	H.264		
Number of Simultaneous Connections	Max. 10		
Network Protocols Support	ONVIF (2.3), TCP/IP, DHCP, PPPoE, DDNS, SMTP, UPnP, RTSP, NTP		
PC Software	NOVUS NMS, Internet Explorer, Google Chrome, Opera, Mozilla Firefox		
OTHER FUNCTIONS			
OSD	IE browser, Polish, English, Russian and Portuguese		
Motion Detection	Yes		
Postalarm	5 s ~ 2 min		
System Reaction to Alarm Events	E-mail with attachment, saving file on FTP server	E-mail with attachment, saving file on FTP server, saving on micro SD/SDHC card, alarm output activation	
IR LED			
Number	42	36	25
Range	25 m	20 m	50 m
Angle	90°		60°
INTERFACES			
Video Output	BNC		
Audio Input / Output	1 x Jack (3,5 mm) / -		1 x Jack (3,5 mm) / 1 x Jack (3,5 mm)
Alarm Input / Output	- / -		1 / 1
Network Interface	1 x Ethernet - RJ-45 interface, 10/100 Mbit/s		
INSTALLATION PARAMETERS			
Dimensions (mm)	87 (∅) x 219 (L)		109 (∅) x 360 (L)
Weight	602 g	601 g	1,58 kg
Enclosure	Aluminium, white, mounting bracket and sunshield in-set included		
Power Supply	PoE, 12 VDC		
Power Consumption	3,6 W, 7,2 W (IR on)	3,6 W, 7 W (IR on)	3,6 W, 9 W (IR on)
Degree of Protection	IP 66		

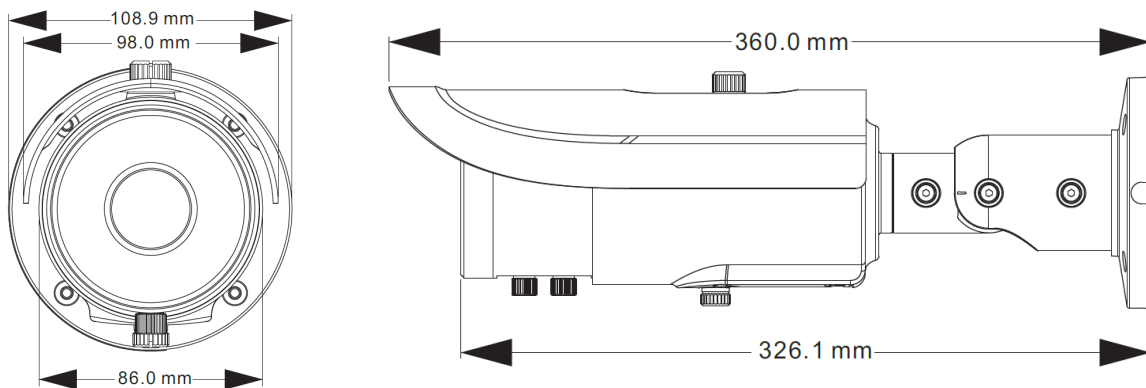
FOREWORD INFORMATION

1.3. Camera dimensions

Cameras NVIP-3DN3050H/IR-1P, NVIP-3DN3051H/IR-1P



Camera NVIP-3DN3052H/IR-1P



1.4. Package contents

After you open the package make sure that the following elements are inside:

- IP camera
- Accessories bag
- Short version of user's manual
- CD containing manual and software

If any of this elements has been damaged during transport, pack all the elements back into the original box and contact your supplier for further assistance.

CAUTION!

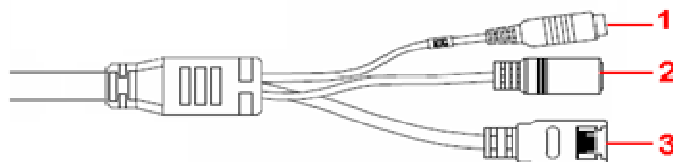
If the device was brought from a location with lower temperature, please wait until it reaches the temperature of location it is currently in. Turning the device on immediately after bringing it from a location with lower ambient temperature is forbidden, as the condensing water vapour may cause short-circuits and damage the device as a result.

Before starting the device familiarize yourself with the description and the role of particular inputs, outputs and adjusting elements that the device is equipped with.

START-UP AND INITIAL CAMERA CONFIGURATION

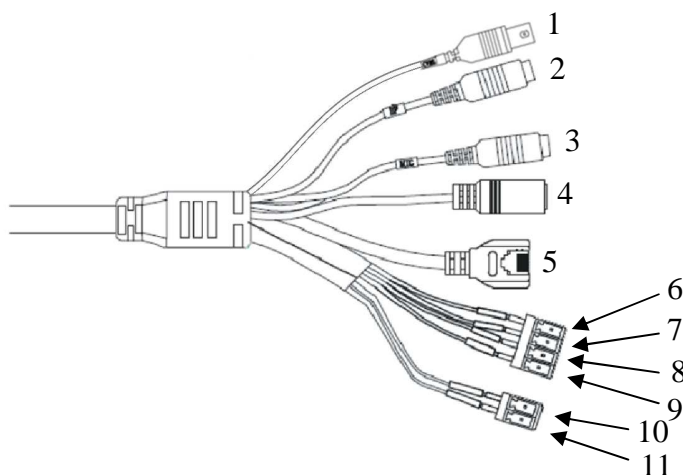
2. START-UP AND INITIAL CAMERA CONFIGURATION

2.1 Description of connectors and control tools



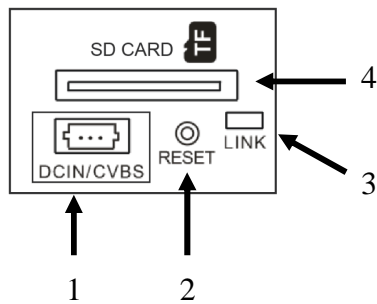
1. Audio input
2. Power supply 12VDC
3. 100 Mb/s Ethernet port (RJ-45 connector)

Camera NVIP-3DN3052H/IR-1P



1. BNC video output
2. Audio output
3. Audio input
4. Power supply 12VDC
5. 100 Mb/s Ethernet port (RJ-45 connector)
6. Alarm COM - Alarm output
7. Alarm NO - Alarm output
8. Alarm IN - Alarm input
9. Alarm GND - Alarm input
10. RS485 T+
11. RS485 T-

START-UP AND INITIAL CAMERA CONFIGURATION



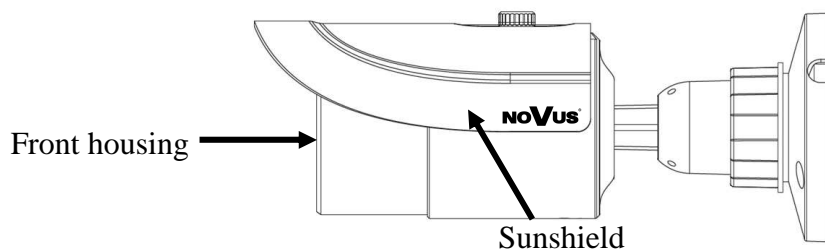
1. 3 pin connector. Video output and power supply - maintenance only
2. Reset button
3. Network indicator
4. SD card slot

WARNING! To get access to above ports it is required to open service compartment.

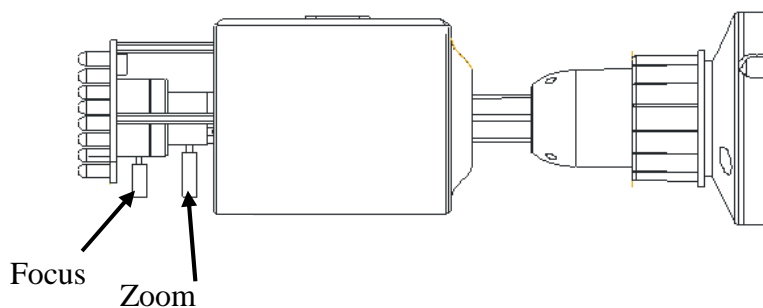
2.2 Zoom and focus adjustment

Camera NVIP-3DN3051H/IR-1P

1. Remove sunshield and front housing.



2. Adjust zoom and focus.

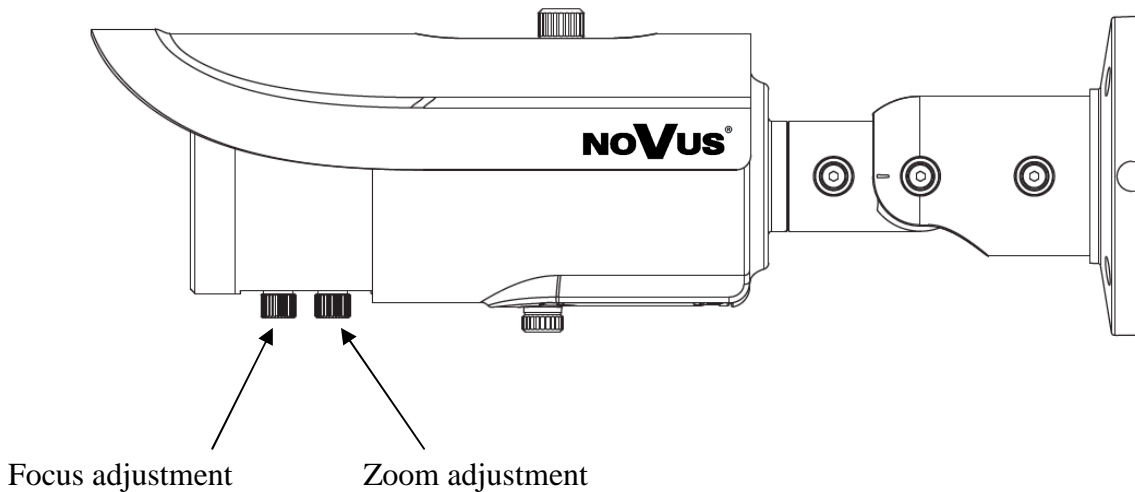


3. Mount front housing and sunshield.

START-UP AND INITIAL CAMERA CONFIGURATION

Camera NVIP-3DN3052H/IR-1P

User can adjust camera zoom and focus. It is recommended to check focus settings in infrared illumination and make correction in color mode to have proper focus in both modes.



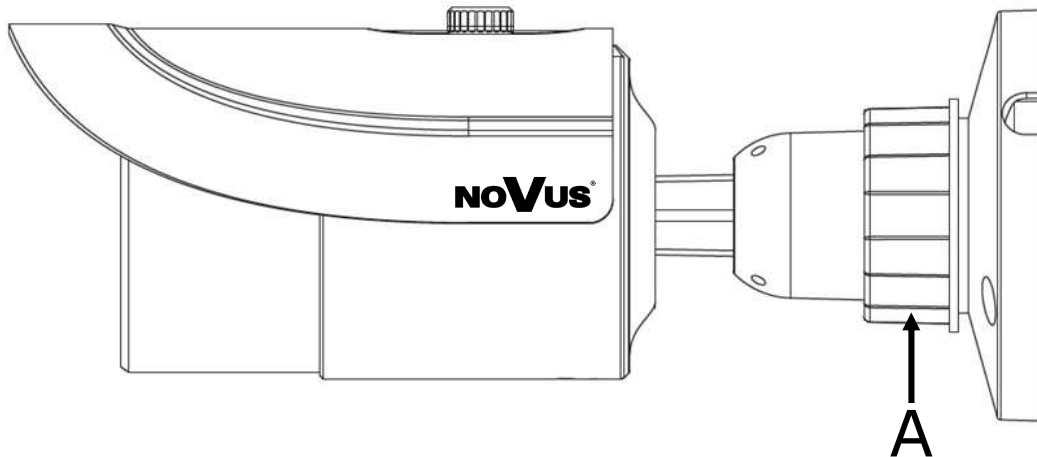
2.2. Cameras mounting

To mount a camera please follow the instructions below:

- Put the bracket to the wall in a desired mounting place (with cable hole). Taking the bracket's base screw holes as a pattern, mark future drilling holes for screws using a punch.
- Drill holes in accordance with previously done markings and base hole placement.
- Mount the camera with bracket on the ceiling/wall with three supplied self tapping screws.
- Loosen nut "A".
- Adjust camera position.
- Adjust zoom and focus.
- Tighten nut "A".

WARNING! Please note that the wall or ceiling must have enough strength to support the IP Camera.

START-UP AND INITIAL CAMERA CONFIGURATION



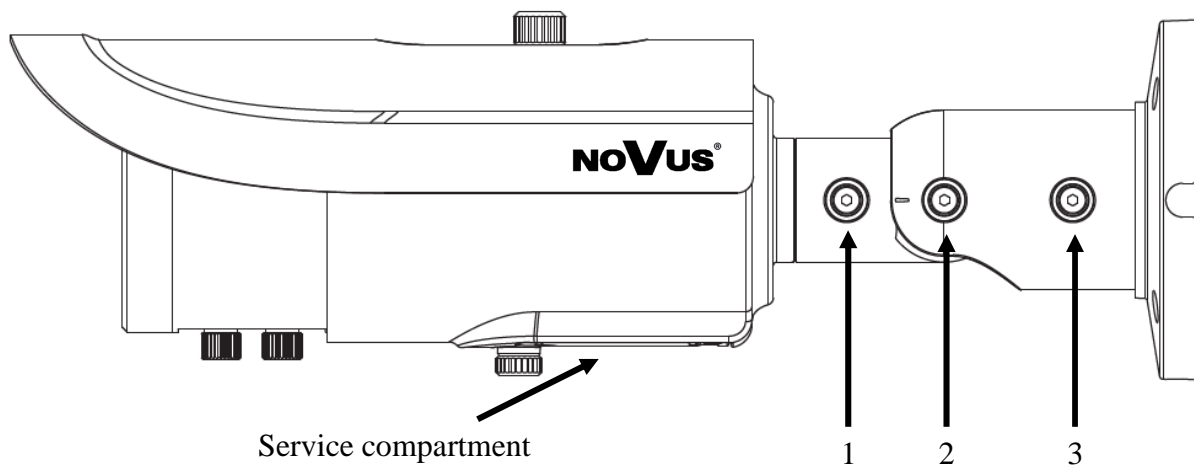
eng

WARNING! In order to obtain declared degree of protection please seal the camera bracket to prevent water getting inside. Furthermore, when installing the bracket on rough/uneven surfaces, please additionally seal the junction with appropriate sealing mass. Please pay special attention to any mounting holes and if they are a loop-through ones, seal them too.

Camera NVIP-3DN3052H/IR-1P

To mount a camera please follow the instructions below:

1. Drill the screw holes and the cable hole on the wall according to the drill template.
2. Route the cables to the cable hole and connect the cables.
3. Using included screws mounting base on smooth surface providing declared degree of IP protection.
4. Optionally open service compartment to insert SD card and connect monitor through DCIN/CVBS cables.
5. Using allen key loosen screws 1, 2 and 3. Then adjust camera position and tight lock screws.



6. Adjust zoom and focus screw until you get the optimum image (after starting IP Camera, details in chapter 2.4).

START-UP AND INITIAL CAMERA CONFIGURATION

2.4. Starting the IP camera

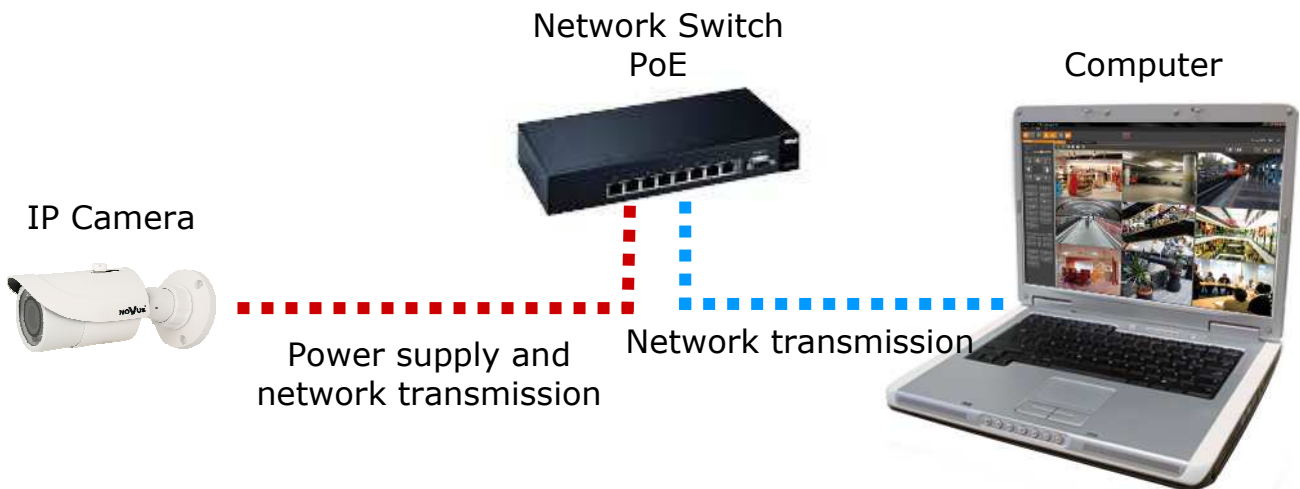
To run NOVUS IP camera you have to connect ethernet cable between camera and network switch.

To power it up you can connect it directly via power supply adapter with parameters compatible with camera power supply specification, or camera can be powered with PoE (IEEE 802.3af) compatible switch.

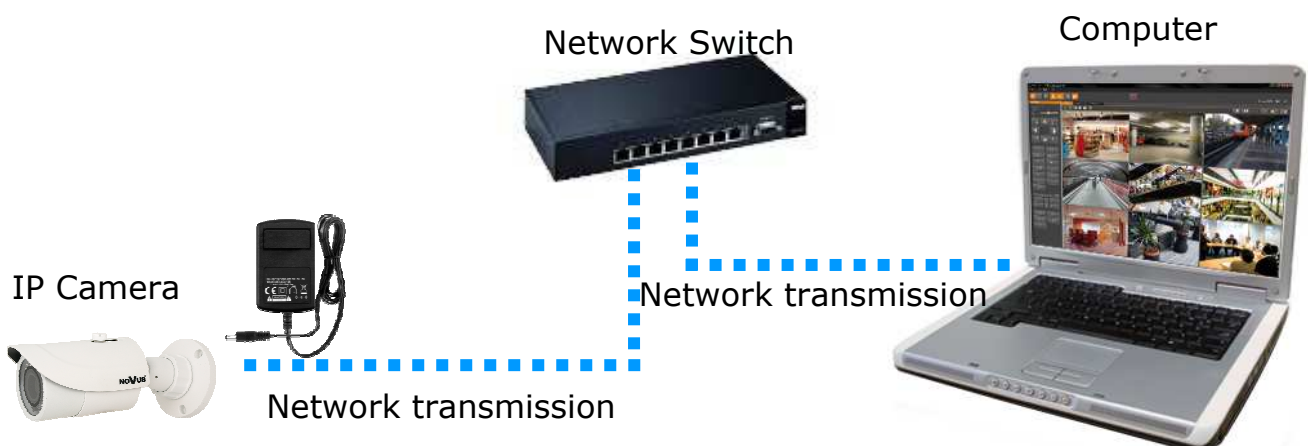
After connecting power supply it takes about 30 seconds to start camera. Then You can proceed to connect to the camera via web browser.

The recommended way to start an IP camera and perform its configuration is a connection directly to the network switch which is not connected to other devices. To obtain further information about network configuration parameters (IP address, gateway, network mask, etc.) please contact your network administrator.

- Connection utilising network switch with PoE support

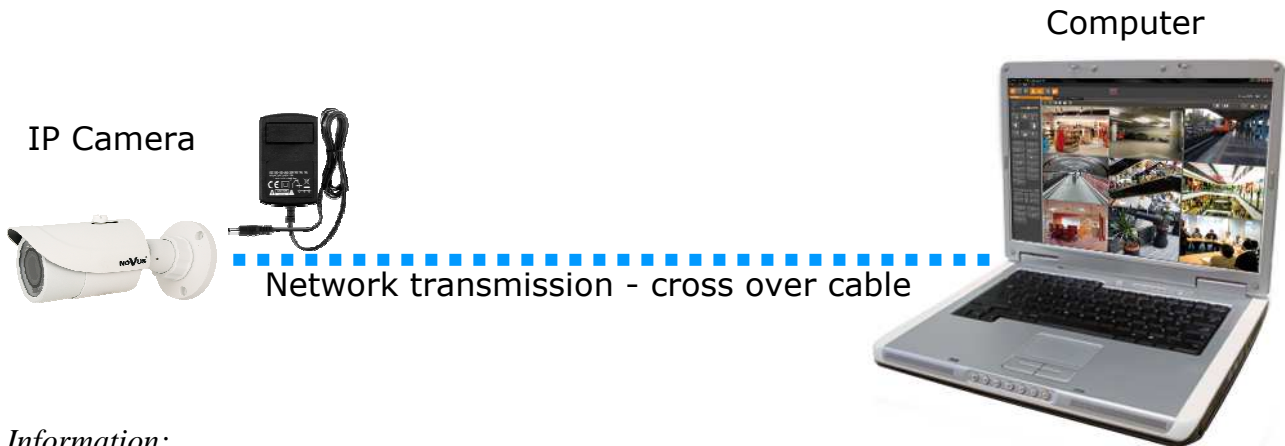


- Connection utilising external power supply and network switch



START-UP AND INITIAL CAMERA CONFIGURATION

- Connection utilising external power supply directly to the computer



eng

Information:

Power supply adapter is not included. Please use power adapter with parameters specified in user 's manual.

Caution:

In order to provide protection against voltage surges/lightning strikes, usage of appropriate surge protectors is advised. Any damages resulting from surges are not eligible for service repairs.

2.5. Initial configuration via the web browser

The default network settings for NVIP-... IP camera series are :

1. IP address= **192.168.1.200**
2. Network mask - **255.255.255.0**
3. Gateway - **192.168.1.1**
4. User name - **root**
5. Password - **pass**

Knowing the camera's IP address you need to appropriately set PC IP address, so the two devices can operate in one network subnet (e.g. for IP 192.168.1.1, appropriate address for the camera ranges from 192.168.1.2 to 192.168.1.254, for example 192.168.1.60). It is not allowed to set the same addresses for camera and PC computer

You can either set a network configuration (IP address, gateway, net mask, etc.) of NOVUS IP camera yourself or select DHCP mode (DHCP server is required in this method in target network) by using web browser or by NMS software. When you use DHCP server check IP address lease and its linking with camera MAC address to avoid changing or losing IP address during device operation or network/DHCP server breakdown. You have to remember to use a new camera IP address after changing network parameters.

After network setting configuration has been done, the camera can be connected to a target network.

NETWORK CONNECTION UTILIZING WEB BROWSER

3. NETWORK CONNECTION UTILIZING WEB BROWSER

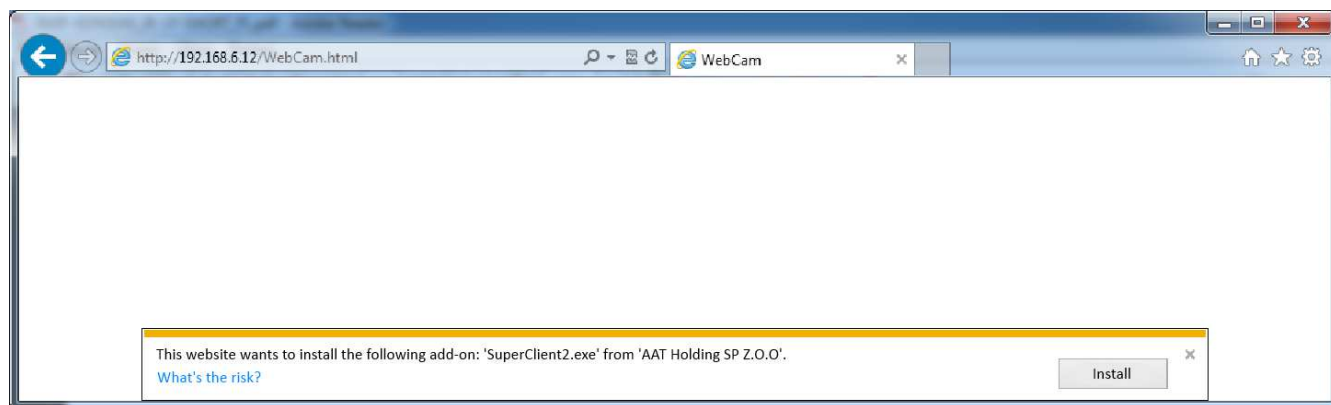
3.1. Recommended PC specification for web browser connections

Requirements below apply to connection with an IP camera, assuming smooth image display in 1920x1080 resolution and 25 fps speed.

1. CPU **Intel Pentium IV 3 GHz** or newer
2. **RAM** Memory min. **512 MB**
3. **VGA** card (any displaying **Direct 3D** with min. **128 MB RAM** memory)
4. OS **Windows XP / VISTA**
5. **Direct X** version **9.0** or newer
6. Network card **10/100/1000 Mb/s**

3.2. Connection with IP camera via web browser

You have to enter camera IP address in the address bar. When you connect to the camera, web browser will download the applet for displaying images from the camera. In Internet Explorer it may be necessary to accept an ActiveX control. To do this, click the right mouse button on the message, select "Install Active X control" and then click Install. After successfully SuperClient2 plug in downloading run and install it on a computer.



NETWORK CONNECTION UTILIZING WEB BROWSER

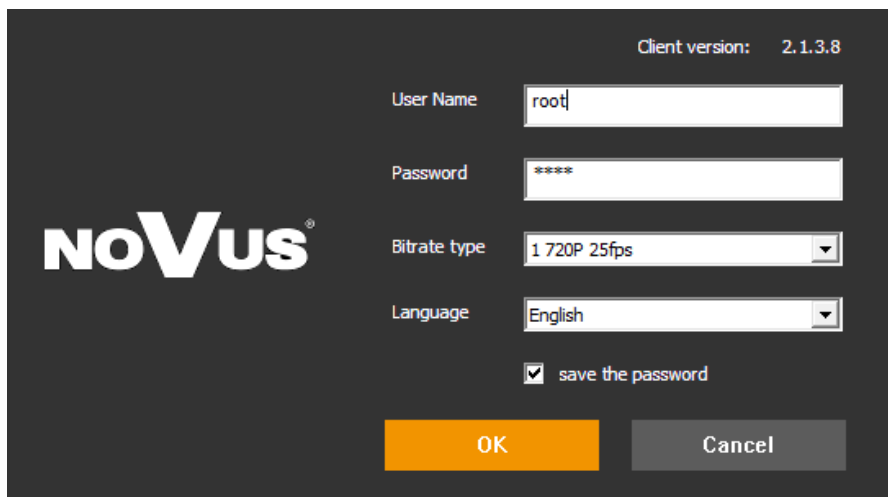
If the installation fails, changing security settings for the IE browser is required. In order to do that, please choose: *Tools > Internet options > Security tab > Custom level* and:

- Under *Download unsigned ActiveX controls* - select either Enable or Prompt
- Under *Initialize and script ActiveX controls not marked as safe* - select Enable or Prompt

You can also add the camera's IP address to "trusted zone" and set lowest security level for it.

In addition, when working in Windows Vista/7 the ActiveX applet may be blocked by Windows Defender or User account control. In such case you should allow to run this applet, or simply disable these functions.

After successful installation login window will be displayed. Default user is **root** and default password is **pass**. For safety reasons, it is recommended to change default user name and password.



Client version: 2.1.3.8

User Name: root

Password: ****

Bitrate type: 1 720P 25fps

Language: English

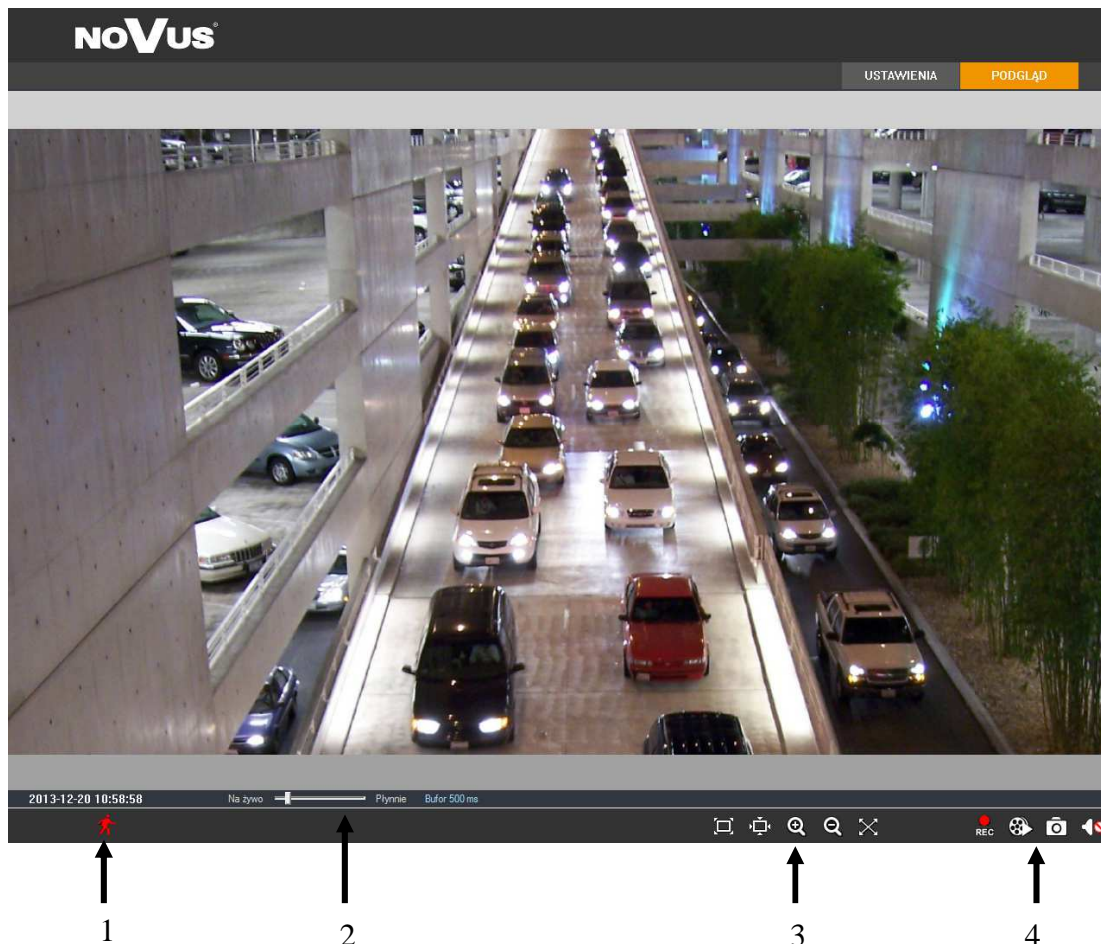
save the password

OK Cancel



REMOTE PREVIEW

4. USING AND CONFIGURING

4.1 Remote Preview Interface



1. Motion detection

-  Motion detection icon changes color from white to red when motion is detected.
-  Alarm icon changes color from white to red when alarm situation has occurred.

2. Display fluency settings

It is possible to increase video display fluency by setting video buffer (0 ~ 4 seconds).

3. Video size settings

-  Fix size
-  Zoom in
-  Zoom in
-  Zoom out
-  Full screen

4. Local record

-  Start record
-  Playback
-  Snap
-  Enable / disable audio

ELECTRIC CONNECTORS AND ACCESORIES

5. ELECTRIC CONNECTORS AND ACCESORIES

5.1. Connecting power supply to the camera.

Camera can be supplied using external power supply unit corresponding with the camera parameters or by using RJ45 network socket and PoE (802.3at Type 1) power supply unit.

Information:

Power supply adapter is not included. Please use power adapter with parameters specified in user's manual.

Caution:

In order to provide protection against voltage surges/lightning strikes, usage of appropriate surge protectors is advised. Any damages resulting from surges are not eligible for service repairs.

- **5.2. Camera control - RS-485**

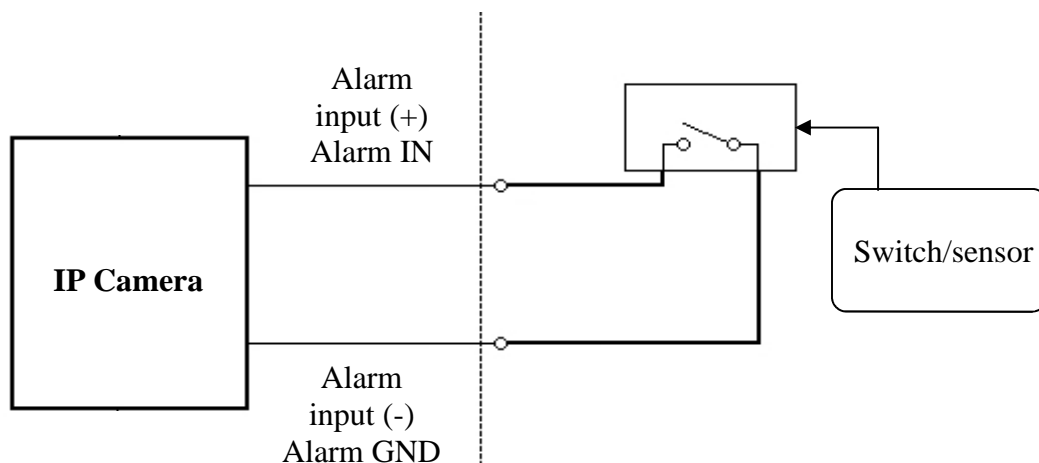
Function unavailable.

5.3. Connecting alarm inputs/outputs.

Function available only for camera NVIP-3DN3052H/IR-1P

Alarm input

- Alarm input connection

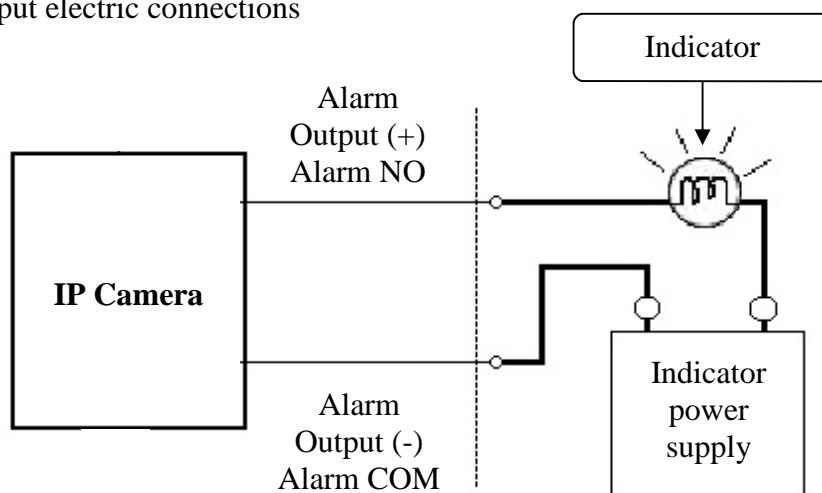


REMOTE PREVIEW

Alarm output

Camera alarm output is an relay output type.

- Alarm output electric connections

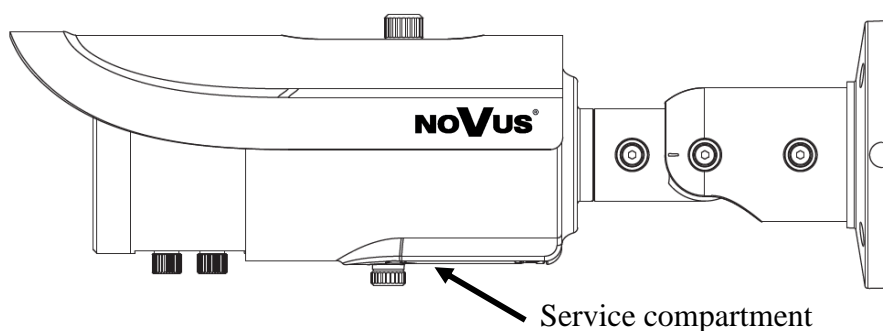


5.4 SD card installation

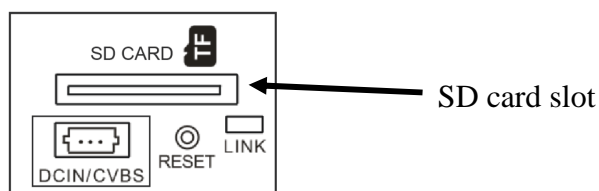
Function available only for camera NVIP-3DN3052H/IR-1P

Camera supports SD/SDHC cards up to a maximum size of 64GB. In order to install the card properly, please follow the instructions below:

- Turn the camera off
- Unscrew the service compartment screw and open the service compartment



- Mount SD card, according to the picture:



- Close service compartment and firmly screw the service compartment screw
- Turn the camera on
- Check the SD card by checking its capacity in the "System Config" -> "SD Card" tab.

RESTORING FACTORY DEFAULTS

6. RESTORING FACTORY DEFAULTS

NOVUS IP cameras allow to restore defaults via:

- software (web browser level)
- hardware (using reset button)

6.1. Restoring factory defaults by software means

User can restore default settings of the IP camera except network settings. To restore to default settings go to: “Advanced Config -> Config Backup & Restore” tab. Process of restoring takes about two minutes.

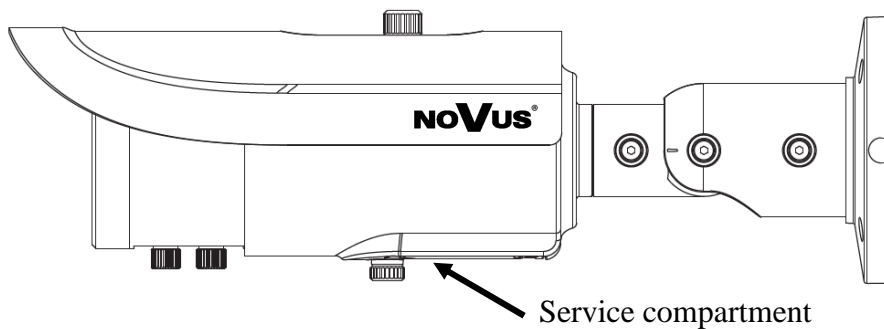
eng

6.2. Restoring factory defaults by hardware means

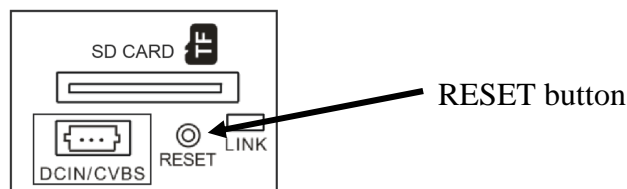
Function available only for camera NVIP-3DN3052H/IR-1P

In order to restore factory defaults for the camera please follow the instructions:

- Unscrew the service compartment screw and open the service compartment



- Press the *RESET* button and hold on for 10 seconds



- Release button
- Close service compartment and firmly screw the service compartment screw
- Log on after approx. 30 seconds using default IP address (<http://192.168.1.200>) and default user name (root) and password (pass)

NOVUS[®]

AAT Holding sp. z o.o., ul. Puławska 431, 02-801 Warszawa, Polska
tel.: 22 546 07 00, faks: 22 546 07 59
www.novuscctv.com

2014-11-05 Tł

instrukcja obsługi (skrótowa)



NVIP-3DN3050H/IR-1P
NVIP-3DN3051H/IR-1P



NVIP-3DN3052H/IR-1P

NOVUS[®]

UWAGI I OSTRZEŻENIA

Dyrektywy EMC (2004/108/EC) i LVD (2006/95/EC)

Oznakowanie CE



Nasze produkty spełniają wymagania zawarte w dyrektywach oraz przepisach krajowych wprowadzających dyrektywy:

Kompatybilność elektromagnetyczna EMC 2004/108/EC.

Niskonapięciowa LVD 2006/95/EC. Dyrektywa ma zastosowanie do sprzętu elektrycznego przeznaczonego do użytkowania przy napięciu nominalnym od 50VAC do 1000VAC oraz od 75VDC do 1500VDC.

Dyrektywa WEEE 2002/96/EC

Informacja dla użytkowników o pozbywaniu się urządzeń elektrycznych i elektronicznych



Niniejszy produkt został oznakowany zgodnie z Dyrektywą WEEE (2002/96/EC) oraz późniejszymi zmianami, dotyczącą zużytego sprzętu elektrycznego i elektronicznego. Zapewniając prawidłowe złomowanie przyczyniają się Państwo do ograniczenia ryzyka wystąpienia negatywnego wpływu produktu na środowisko i zdrowie ludzi, które mogłoby zaistnieć w przypadku niewłaściwej utylizacji urządzenia.

Symbol umieszczony na produkcie lub dołączonych do niego dokumentach oznacza, że nasz produkt nie jest klasyfikowany jako odpad z gospodarstwa domowego. Urządzenie należy oddać do odpowiedniego punktu utylizacji odpadów w celu recyklingu. Aby uzyskać dodatkowe informacje dotyczące recyklingu niniejszego produktu należy skontaktować się z przedstawicielem władz lokalnych, dostawcą usług utylizacji odpadów lub sklepem, gdzie nabyto produkt.

Dyrektywa RoHS 2002/95/EC

Informacja dla użytkowników dotycząca ograniczenia użycia substancji niebezpiecznych w sprzęcie elektrycznym i elektronicznym.



W trosce o ochronę zdrowia ludzi oraz przyjazne środowisko zapewniamy, że nasze produkty podlegające przepisom dyrektywy RoHS, dotyczącej użycia substancji niebezpiecznych w sprzęcie elektrycznym i elektronicznym, zostały zaprojektowane i wyprodukowane zgodnie z wymaganiami tej dyrektywy. Jednocześnie zapewniamy, że nasze produkty zostały przetestowane i nie zawierają substancji niebezpiecznych w ilościach mogących niekorzystnie wpływać na zdrowie człowieka lub środowisko naturalne.

Informacja

Urządzenie, jako element profesjonalnego systemu telewizji dozorowej służącego do nadzoru i kontroli, nie jest przeznaczone do samodzielnego montażu w gospodarstwach domowych przez osoby nie posiadające specjalistycznej wiedzy.

Wyłączenie odpowiedzialności w przypadku uszkodzenia danych zawartych na dysku lub innych urządzeniach:

Producent nie ponosi odpowiedzialności w razie uszkodzenia lub utraty w trakcie eksploatacji Produktu danych zawartych na dyskach lub innych urządzeniach.

Obowiązek konsultowania się z Producentem przed wykonaniem czynności nieprzewidzianej instrukcją obsługi albo innymi dokumentami:

Przed wykonaniem czynności, która nie jest przewidziana dla danego Produktu w instrukcji obsługi, innych dokumentach dołączonych do Produktu lub nie wynika ze zwykłego przeznaczenia Produktu, należy, pod rygorem wyłączenia odpowiedzialności Producenta za następstwa takiej czynności, skontaktować się z Producentem.

WARUNKI BEZPIECZEŃSTWA

UWAGA!

ZNAJOMOŚĆ NINIEJSZEJ INSTRUKCJI JEST NIEZBĘDNYM WARUNKIEM PRAWIDŁOWEJ EKSPLOATACJI URZĄDZENIA. PROSIMY O ZAPOZNANIE SIĘ Z NIM PRZED PRZYSTĄPIENIEM DO INSTALACJI I OBSŁUGI REJESTRATORA.

UWAGA!

NIE WOLNO DOKONYWAĆ ŻADNYCH SAMODZIELNYCH NAPRAW. WSZYSTKIE NAPRAWY MOGĄ BYĆ REALIZOWANE JEDYNIEM PRZEZ WYKWALIFIKOWANYCH PRACOWNIKÓW SERWISU.

1. Przed zainstalowaniem i rozpoczęciem eksploatacji należy dokładnie zapoznać się z niniejszą instrukcją obsługi i zawartymi w niej wymogami bezpieczeństwa;
2. Uprasza się o zachowanie instrukcji na czas eksploatacji kamery na wypadek konieczności odniesienia się do zawartych w niej treści;
3. Należy skrupulatnie przestrzegać wymogów bezpieczeństwa opisanych w instrukcji, gdyż mają one bezpośredni wpływ na bezpieczeństwo użytkowników i trwałość oraz niezawodność urządzenia;
4. Wszystkie czynności wykonywane przez instalatorów i użytkowników muszą być realizowane zgodnie z opisem zawartym w instrukcji;
5. W czasie czynności konserwatorskich urządzenie musi być odłączone od zasilania;
6. Nie wolno stosować żadnych dodatkowych urządzeń lub podzespołów nie przewidzianych i nie zalecanych przez producenta;
7. Nie wolno używać kamery w środowisku o dużej wilgotności (np. w pobliżu basenów, wani, w wilgotnych piwnicach);
8. Nie należy instalować tego urządzenia w miejscu, gdzie nie można zapewnić właściwej wentylacji (np. zamknięte szafki, itp.), co powoduje zatrzymanie się ciepła i w konsekwencji może doprowadzić do uszkodzenia;
9. Nie wolno umieszczać kamery na niestabilnych powierzchniach. Kamera musi być instalowana przez wykwalifikowany personel o odpowiednich uprawnieniach według zaleceń podanych w niniejszej instrukcji;
10. Urządzenie może być zasilane jedynie ze źródeł o parametrach zgodnych ze wskazanymi przez producenta w danych technicznych serwera wideo. Dlatego też, zabrania się zasilania kamery ze źródeł o nieznanym, niestabilnym lub niezgodnym z wymaganiami określonymi przez producenta parametrach.

SPIS TREŚCI

SPIS TREŚCI	4
1. INFORMACJE WSTĘPNE	5
1.1. Charakterystyka ogólna	5
1.2. Dane techniczne	6
1.3. Wymiary kamery	7
1.4. Zawartość opakowania	7
2. URUCHAMIANIE I WSTĘPNA KONFIGURACJA KAMERY IP	8
2.1. Opis złączy elektrycznych oraz elementów regulacyjnych	8
2.2. Ustawienia ostrości i ogniskowej	9
2.3. Montaż kamery	10
2.4. Uruchomienie kamery IP	12
2.5. Konfiguracja parametrów przy użyciu przeglądarki internetowej	13
3. POŁĄCZENIA SIECIOWE ZA POMOCĄ PRZEGLĄDARKI WWW	14
3.1. Zalecana konfiguracja komputera PC do połączeń przez przeglądarkę WWW	14
3.2. Połączenie sieciowe z kamerą IP za pomocą przeglądarki WWW	14
4. INTERFEJS WWW - PRACA Z KAMERA	16
4.1. Widok zdalnego podglądu	16
5. POŁĄCZENIA ELEKTRYCZNE I ZŁĄCZA AKCESORIÓW	17
5.1. Podłączenie zasilania kamery	17
5.2. Sterowanie kamerą	17
5.3. Opis podłączenia wejść i wyjść alarmowych	17
5.4. Instalacja karty SD	18
6. PRZYWRACANIE USTAWIEŃ FABRYCZNYCH KAMERY	19
6.1. Programowe przywracanie ustawień fabrycznych kamery IP	19
6.2. Przywracanie ustawień fabrycznych kamery IP (sprzętowe).....	19

INFORMACJE WSTĘPNE

1. INFORMACJE WSTĘPNE

1.1. Charakterystyka ogólna

- Rozdzielczość przetwornika: 3.0 megapiksele
- Mechaniczny filtr podczerwieni (możliwość pracy w podczerwieni)
- Czulość od 0 lx przy włączonym oświetlaczu IR
- Szeroki zakres dynamiki (WDR) - funkcja poprawiająca jakość obrazu dla różnych poziomów oświetlenia sceny
- Cyfrowa redukcja szumu (DNR)
- Typ obiektywu: standardowy, $f=4$ mm/ $F=1.6$ (NVIP-3DN3050H/IR-1P)
 - ze zmienną ogniskową, $f=2.8 \sim 12$ mm/ $F=1.4$ (NVIP-3DN3051H/IR-1P)
 - ze zmienną ogniskową, $f=7 \sim 22$ mm/ $F=1.6$ (NVIP-3DN3052H/IR-1P)
- Wbudowany oświetlacz podczerwieni:
 - 42 diod LED (NVIP-3DN3050H/IR-1P)
 - 36 diody LED (NVIP-3DN3051H/IR-1P)
 - 25 diod LED (NVIP-3DN3052H/IR-1P)
- Wbudowany webserwer: kompresja i transmisja przez sieć wideo i audio w czasie rzeczywistym
- Kompresja H.264
- Rozdzielczość przetwarzania wideo: 2048 x 1536
- Możliwość definiowania kompresji, rozdzielczości, prędkości i jakości dla każdego strumienia
- Przesyłanie wideo w standardzie RTP/RTSP
- Funkcja po-alarmu - nagrywanie wideo w formacie AVI
- Funkcja harmonogramu
- Sprzętowa detekcja ruchu
- Jednokierunkowa transmisja audio (NVIP-3DN3050H/IR-1P, NVIP-3DN3051H/IR-1P)
- Dwukierunkowa transmisja audio (NVIP-3DN3052H/IR-1P)
- Możliwość szerokiego definiowania reakcji systemu na zdarzenia alarmowe: e-mail z załącznikiem, zapis pliku na serwer FTP (wszystkie kamery) oraz wyzwolenie wyjścia alarmowego, zapis pliku na kartę micro SD/SDHC (NVIP-3DN3052H/IR-1P)
- Oprogramowanie: NMS (NOVUS MANAGEMENT SYSTEM) - do rejestracji wideo, podglądu „na żywo”, odtwarzania oraz zdalnej konfiguracji urządzeń wideo IP
- Zasilanie 12 VDC/ PoE (Power over Ethernet)

NVIP-3DN3050H/IR-1P, NVIP-3DN3051H/IR-1P, NVIP-3DN3052H/IR-1P - Skrócona instrukcja obsługi ver. 1.0.

INFORMACJE WSTĘPNE

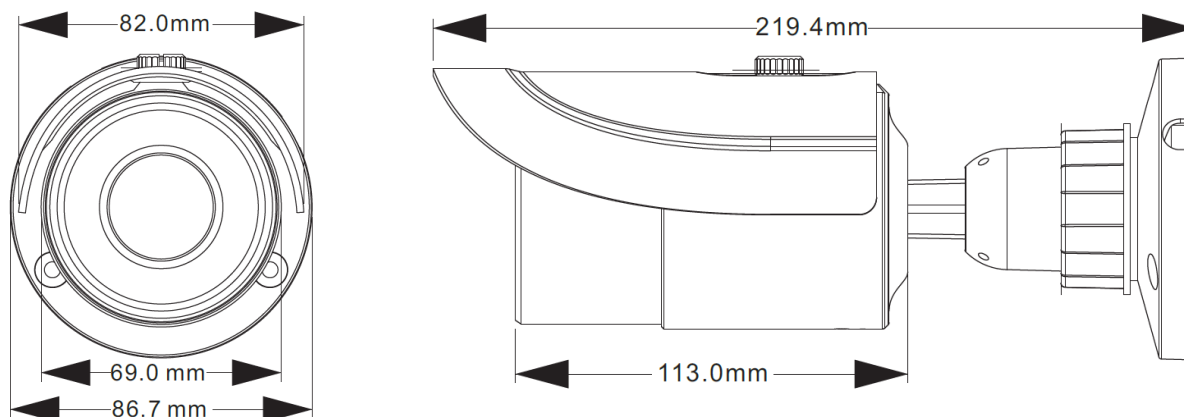
1.2. Dane techniczne

	NVIP-3DN3050H/IR-1P	NVIP-3DN3051H/IR-1P	NVIP-3DN3052H/IR-1P
OBRAZ			
Przetwornik obrazu	matryca CMOS, 1/3"		
Liczba efektywnych pikseli	2048 (H) x 1536 (V)		
Czułość	0.14 lx/F=1.6 – tryb kolorowy, 0 lx – IR włączony	0.19 lx/F=1.4 – tryb kolorowy, 0 lx – IR włączony	0.11 lx/F=1.6 – tryb kolorowy, 0 lx – IR włączony
Szeroki zakres dynamiki (WDR)	tak		
Cyfrowa redukcja szumu (DNR)	tak		
OBIEKTYW			
Typ obiektywu	standardowy, f=4 mm/F=1.6	ze zmienną ogniskową, f=2.8 ~ 12 mm/F=1.4	ze zmienną ogniskową, f=7 ~ 22 mm/F=1.6
Poziomy kąt widzenia obiektywu	62°	72° ~ 27°	30° ~ 13°
DZIEŃ/NOC			
Rodzaj	mechaniczny filtr podczerwieni		
Tryb przełączania	automatyczny/manualny/czasowy		
SIEĆ			
Rozdzielczość strumienia wideo	2048 x 1536 (QXGA), 2304 x 1296, 1920x1080 (FullHD), 1280x720(HD), 640x480(VGA), 320x240(QVGA)		
Prędkość przetwarzania	30 kl/s dla każdej rozdzielczości		
Tryb wielostrumieniowy	3 strumienie		
Kompresja wideo	H.264		
Liczba jednoczesnych połączeń sieciowych	maks. 10		
Obsługiwane protokoły sieciowe	ONVIF (2.3), TCP/IP, DHCP, PPPoE, DDNS, SMTP, UPnP, RTSP, NTP		
Programy na PC	NOVUS NMS, Internet Explorer, Google Chrome, Opera, Mozilla Firefox		
POZOSTAŁE FUNKCJE			
Menu ekranowe	w oknie przeglądarki, języki: polski, angielski, rosyjski i portugalski		
Detekcja ruchu	tak		
Postalarm	5 s ~ 2 min		
Reakcja na zdarzenia alarmowe	e-mail z załącznikiem, zapis na FTP		e-mail z załącznikiem, zapis na FTP, zapis na SD/SDHC, aktywacja wyjścia alarmowego
OŚWIETLACZ IR			
Liczba LED	42	36	25
Zasięg	25 m	20 m	50 m
Kąt świecenia	90°		60°
INTERFEJSY			
Wyjście wideo	nie		BNC
Wejście / wyjście audio	1 x Jack (3,5 mm) / -		1 x Jack (3,5 mm) / 1 x Jack (3,5 mm)
Wejście / wyjście alarmowe	- / -		1 / 1
Interfejs sieciowy	1 x Ethernet - złącze RJ-45, 10/100 Mbit/s		
PARAMETRY INSTALACYJNE			
Wymiary (mm)	87 (Ø) x 219 (dł)		109 (Ø) x 360 (dł)
Masa	602 g	601 g	1,58 kg
Obudowa	alumiowa, lakierowana w kolorze białym, uchwyt i osłona przeciwsłoneczna w zestawie		
Zasilanie	PoE, 12 VDC		
Pobór mocy	3,6 W, 7,2 W (IR włączony)	3,6 W, 7 W (IR włączony)	3,6 W, 9 W (IR włączony)
Klasa szczelności	IP 66		

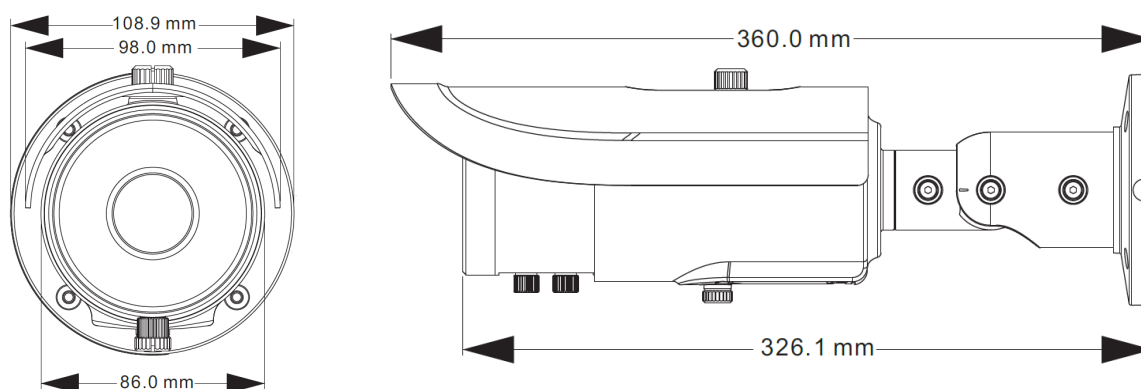
INFORMACJE WSTĘPNE

1.3. Wymiary kamer

Kamery NVIP-3DN3050H/IR-1P, NVIP-3DN3051H/IR-1P



Kamera NVIP-3DN3052H/IR-1P



1.4. Zawartość opakowania

Po otwarciu należy upewnić się czy w opakowaniu znajdują się następujące elementy:

- Kamera IP
- Torebka z akcesoriami montażowymi
- Skrócona instrukcja obsługi.
- Płyta CD z instrukcją obsługi i oprogramowaniem

Jeżeli którykolwiek z elementów został uszkodzony w transporcie, należy spakować zawartość z powrotem do oryginalnego opakowania i skontaktować się z dostawcą.

UWAGA!

Jeżeli urządzenie przyniesione zostało z pomieszczenia o niższej temperaturze należy odczekać aż osiągnie temperaturę pomieszczenia, w którym ma pracować. Nie wolno włączać urządzenia bezpośrednio po przyniesieniu z chłodniejszego miejsca. Kondensacja zawartej w powietrzu pary wodnej może spowodować zwarcia i w konsekwencji uszkodzenie urządzenia.

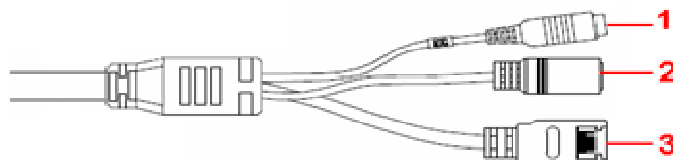
Przed uruchomieniem urządzenia należy zapoznać się z opisem i rolą poszczególnych wejść, wyjść oraz elementów regulacyjnych, w które wyposażone są kamery.

URUCHAMIANIE I WSTĘPNA KONFIGURACJA KAMERY IP

2. URUCHAMIANIE I WSTĘPNA KONFIGURACJA KAMERY IP

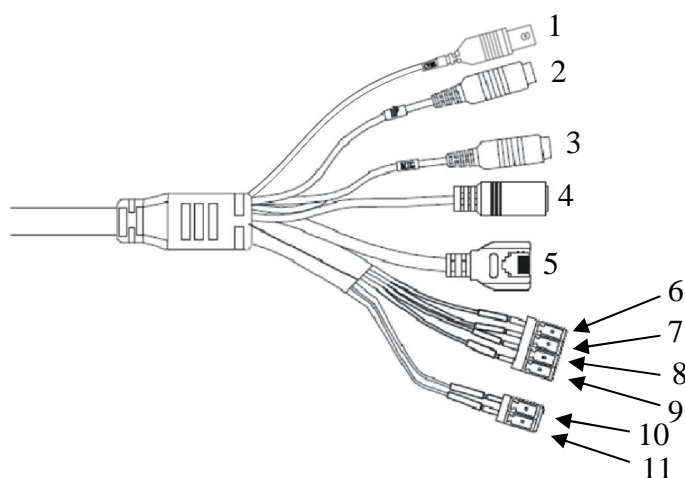
2.1. Opis złączy elektrycznych oraz elementów regulacyjnych

Kamery NVIP-3DN3050H/IR-1P, NVIP-3DN3051H/IR-1P



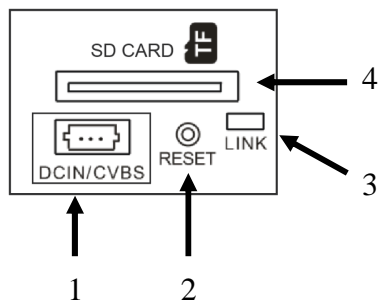
1. Wejście audio
2. Złącze zasilania kamery 12VDC
3. Port Ethernet 100 Mb/s (gniazdo RJ-45)

Kamera NVIP-3DN3052H/IR-1P



1. Wyjście wideo BNC
2. Wyjście audio (HP)
3. Wejście audio (MIC)
4. Złącze zasilania kamery 12VDC
5. Port Ethernet 100 Mb/s (gniazdo RJ-45)
6. Wyjście alarmowe, zacisk przekaźnika alarmu (Alarm COM)
7. Wyjście alarmowe, normalnie otwarte (Alarm NO)
8. Wejście alarmowe (Alarm IN)
9. Wejście alarmowe, GND (Alarm GND)
10. RS485 T+ (opcja niedostępna)
11. RS485 T- (opcja niedostępna)

INFORMACJE WSTĘPNE



1. 3 pinowe złącze serwisowego podglądu wideo i zasilania. W zestawie z kamerą znajduje się kabel z końcówką BNC do podłączenia z 3 złączem wyjściem wideo i zasilania.
2. Przycisk RESET. Dłuższe przytrzymanie przycisku spowoduje powrót do ustawień domyślnych urządzenia.
3. Dioda sygnalizująca połączenie z siecią.
4. Złącze kart SD

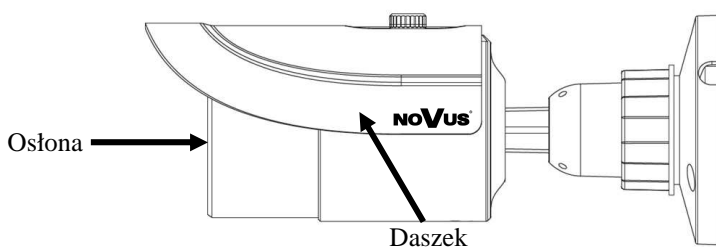
UWAGA! Aby uzyskać dostęp do powyższych portów należy otworzyć drzwiczki serwisowe znajdujące się w dolnej części kamery.

2.2. Ustawienia ostrości i ogniskowej

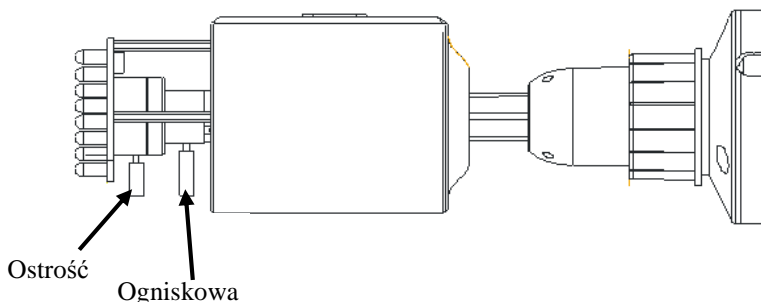
Kamera NVIP-3DN3051H/IR-1P

Aby ustawić ostrość i ogniskową należy:

1. Zdjąć daszek i odkręcić osłonę.



2. Dokonać regulacji przybliżenia i ostrości.

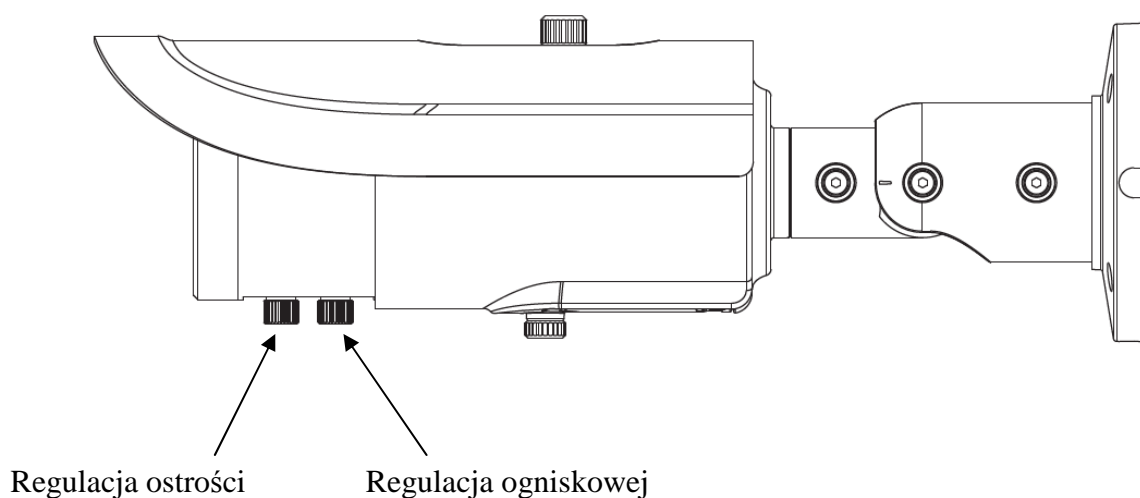


3. Przykręcić osłonę i założyć daszek.

URUCHAMIANIE I WSTĘPNA KONFIGURACJA KAMERY IP

Kamera NVIP-3DN3052H/IR-1P

W razie potrzeby można dokonać regulacji ogniskowej i ostrości obiektywu. Zaleca się sprawdzenie ostrości obrazu w oświetleniu światłem podczerwonym i ewentualne dokonanie korekty w trybie kolorowym tak, aby obraz był ostry w obu trybach pracy kamery.



2.3. Montaż kamery

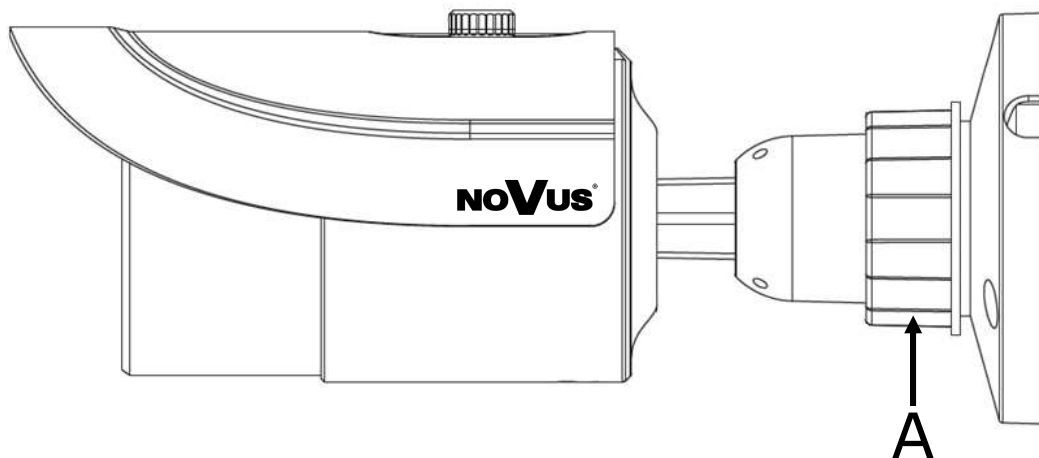
Kamery NVIP-3DN3050H/IR-1P, NVIP-3DN3051H/IR-1P

W celu zamontowania kamery należy postępować zgodnie z podaną procedurą:

- Przyłożyć uchwyt kamery do ściany lub sufitu.
- Wzorując się na położeniu otworów w podstawie kamery, przy pomocy ostrego punktaka zaznaczyć punkty pod przyszłe otwory mocujące i przepust kablowy.
- Wywiercić otwory montażowe i otwór pod kabel sygnałowy w miejscu podłączenia.
- Ustawić a następnie zamocować uchwyt kamery przy użyciu załączonych kołków i wkrętów.
- Poluzować nakrętkę „A”
- Dokonać regulacji położenia kamery
- Dokonać regulacji ogniskowej oraz ostrości odpowiednimi dźwigniami (dotyczy modelu NVIP-3DN3052H/IR-1P)
- Dokręcić nakrętkę „A”

Uwaga! Należy zwrócić szczególną uwagę, aby powierzchnia do której mocowany jest uchwyt i kamera miała odpowiednią nośność.

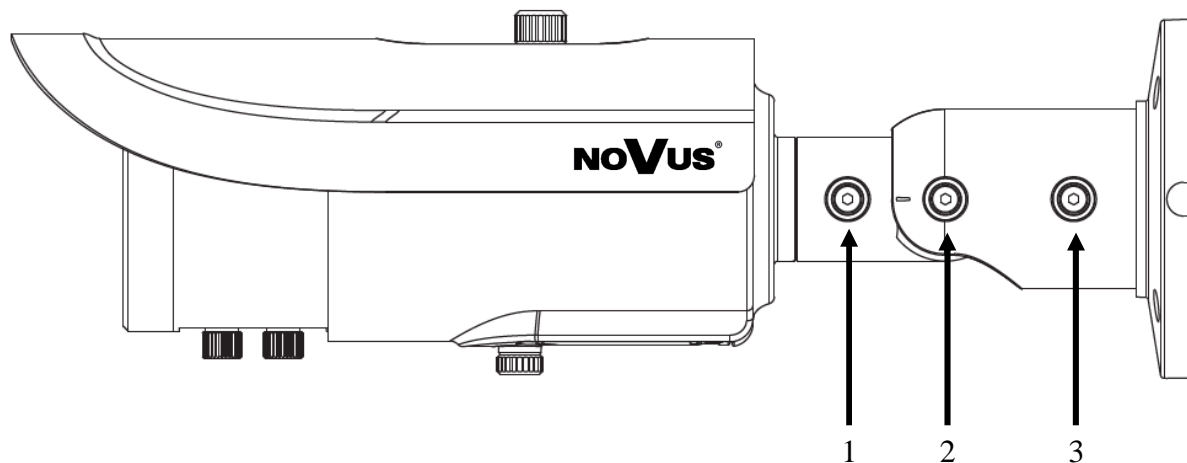
URUCHAMIANIE I WSTĘPNA KONFIGURACJA KAMERY IP



Uwaga! W celu zapewnienia deklarowanej szczelności należy zabezpieczyć uchwyt kamery przed wciekaniem wody do jego środka. W przypadku instalacji na nierównych/chropowatych powierzchniach, miejsce instalacji uchwytu należy dodatkowo uzupełnić masą uszczelniającą. Szczególną uwagę należy zwrócić również na otwory montażowe i jeśli są przelotowe należy je uszczelnić.

Kamera NVIP-3DN3052H/IR-1P

1. Przy pomocy dołączonego szablonu montażowego zaznaczyć punkty wiercenia na powierzchni na której ma zostać zamocowana kamera.
2. Wywiercić w zaznaczonych miejscach otwory pod wkręty mocujące i przewody.
3. Podłączyć kamerę i zamocować podstawę kamery przy użyciu załączonych wkrętów montażowych.
4. Opcjonalnie otworzyć drzwiczki serwisowe i zainstalować kartę SD oraz podłączyć serwisowy kabel wideo.
5. Za pomocą klucza imbusowego poluzować śruby 1, 2, 3 i ustawić kamerę, a następnie dokręcić wszystkie śruby.



6. Dokonać regulacji ogniskowej oraz ostrości (po uruchomieniu kamery opisanym w rozdziale 2.4).

URUCHAMIANIE I WSTĘPNA KONFIGURACJA KAMERY IP

2.4. Uruchomienie kamery IP

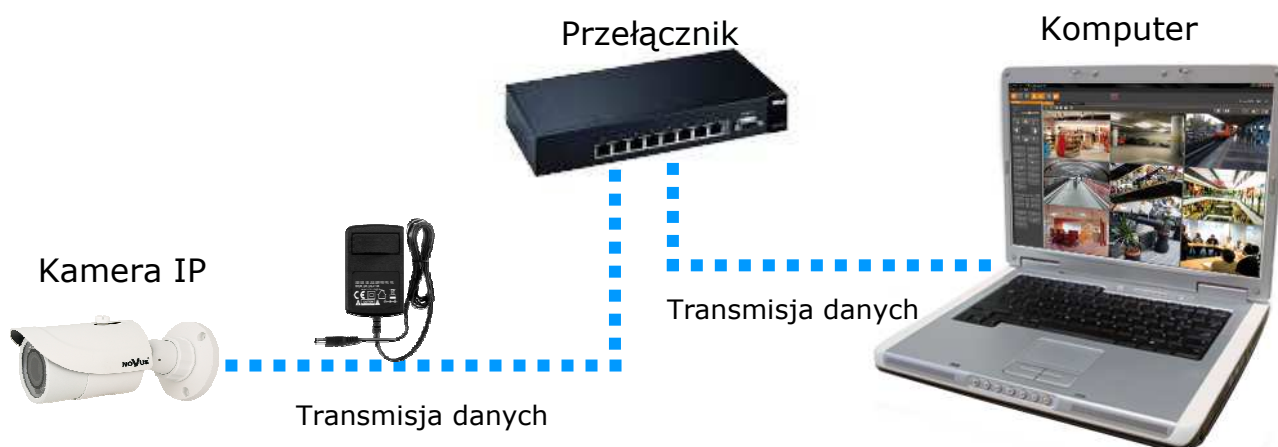
W celu uruchomienia kamery należy podłączyć kabel ethernetowy do gniazda sieciowego RJ45 kamery IP, a drugi koniec do przełącznika sieciowego. Jako źródło zasilania możliwe jest wykorzystanie zewnętrznego stabilizowanego zasilacza o parametrach spełniających wymagania kamery lub przełącznika sieciowego PoE.

Zalecaną metodą uruchomienia i konfiguracji kamery IP jest połączenie jej do komputera PC lub laptopa w wydzielonym przełączniku sieciowym, do którego nie ma podłączonych innych urządzeń. W przypadku zasilania z zewnętrznego zasilacza wystarczy zastosować dowolny przełącznik sieciowy, lub kabel podłączony bezpośrednio do komputera. W celu uzyskania danych potrzebnych do konfiguracji sieci (adres IP, brama, maska sieci itd.) należy skontaktować się z administratorem sieci, w której urządzenie ma pracować.

- Połączenie wykorzystujące przełącznik sieciowy PoE

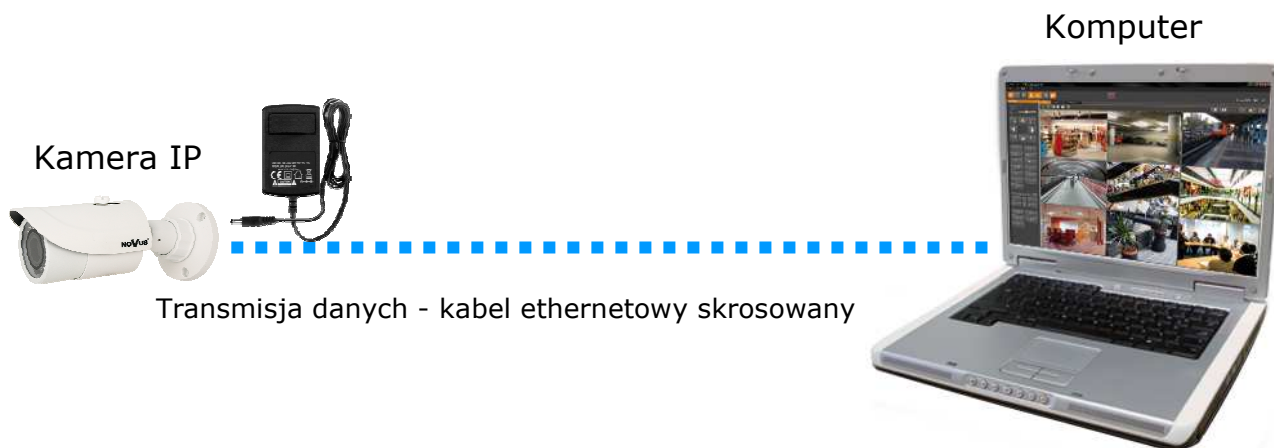


- Połączenie wykorzystujące zewnętrzne zasilanie kamery i przełącznik sieciowy



URUCHAMIANIE I WSTĘPNA KONFIGURACJA KAMERY IP

- Połączenie wykorzystujące zewnętrzne zasilanie kamery i kabel ethernetowy



Informacja:

Zasilacz zewnętrzny nie wchodzi w skład zestawu, należy się w niego zaopatrzyć we własnym zakresie.

UWAGA:

W celu ochrony kamery przed uszkodzeniem zalecane jest zastosowanie zabezpieczeń przepięciowych. Awarie powstałe w wyniku przepięć nie podlegają naprawie gwarancyjnej.

2.5. Konfiguracja parametrów przy użyciu przeglądarki internetowej

Konfigurację sieciową kamery można przeprowadzić przy pomocy przeglądarki internetowej.

Domyślne ustawienia sieciowe dla kamer IP serii NVIP-.... to :

1. Adres IP = **192.168.1.200**
2. Maska sieci - **255.255.255.0**
3. Brama - **192.168.1.1**
4. Nazwa użytkownika - **root**
5. Hasło - **pass**

Znając adres IP kamery należy ustawić adres IP komputera w taki sposób aby oba urządzenia pracowały w jednej podsieci (dla adresu IP kamery 192.168.1.200 jako adres IP komputera PC możemy ustawić adres z zakresu 192.168.1.0 - 192.168.1.254, np.: 192.168.1.60). Niedopuszczalne jest ustawianie adresu komputera takiego samego jak adres kamery.

Wykorzystując połączenie przez przeglądarkę internetową Internet Explorer lub oprogramowanie NMS należy ustawić docelową konfigurację sieciową (adres IP, maskę sieci, bramę, serwery DNS) lub włączyć tryb pracy DHCP pozwalający na pobranie adresu IP z serwera DHCP (wymagany jest wówczas działający serwer DHCP). W przypadku korzystania z serwera DHCP należy upewnić się co do długości okresu dzierżawy adresu IP, jego powiązania z adresem MAC kamery IP w celu uniknięcia zmiany lub utraty adresu IP w czasie pracy urządzenia lub chwilowej awarii sieci / serwera DHCP. Należy pamiętać że po zmianie adresu IP kamera zostanie zresetowana i trzeba wpisać nowy adres w przeglądarce internetowej. Po konfiguracji ustawień sieciowych pozwalających na bezkonfliktową pracę urządzenia, kamerę IP możemy podłączyć do sieci docelowej.

POŁĄCZENIA SIECIOWE ZA POMOCĄ PRZEGLĄDARKI WWW

3 POŁĄCZENIA SIECIOWE ZA POMOCĄ PRZEGLĄDARKI WWW

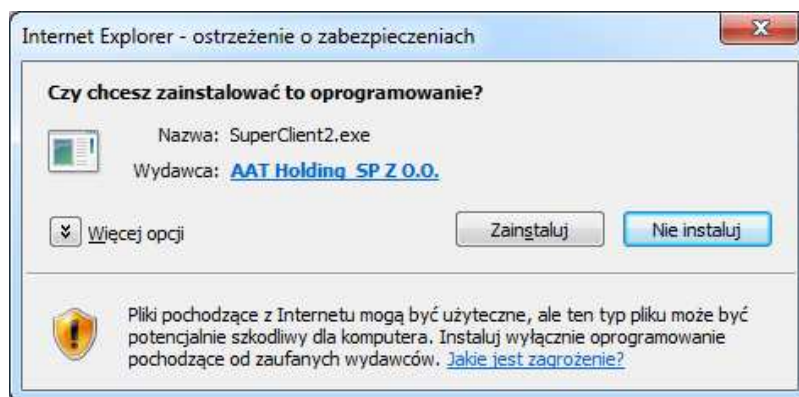
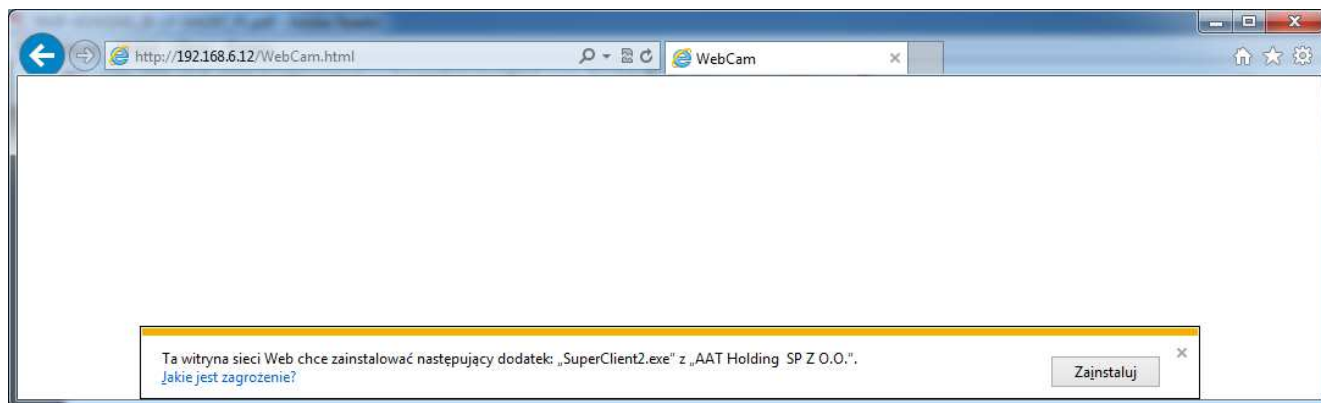
3.1. Zalecana konfiguracja komputera PC do połączeń przez przeglądarkę WWW

Poniższe wymagania dotyczą połączenia z kamerą IP przy założeniu płynnego wyświetlania obrazu wideo w rozdzielczości 1920x1080 dla 25kl/s.

1. Procesor **Intel Pentium IV 3 GHz** lub wyższy
2. Pamięć **RAM min. 512 MB**
3. Karta grafiki (dowolna obsługująca wyświetlanie **Direct 3D z min. 128MB pamięci RAM**)
4. System operacyjny **Windows XP / VISTA/ Windows 7**
5. **Direct X** w wersji **9.0** lub wyższej
6. Karta sieciowa **10/100/1000 Mb/s**

3.2. Połączenie sieciowe z kamerą IP za pomocą przeglądarki WWW

W pasku adresu przeglądarki WWW należy wpisać adres IP kamery. Jeśli podany adres jest prawidłowy i docelowe urządzenie jest w danej chwili osiągalne, przed pierwszym logowaniem należy zaakceptować i zainstalować dodatek SuperClient2.



POŁĄCZENIA SIECIOWE ZA POMOCĄ PRZEGLĄDARKI WWW

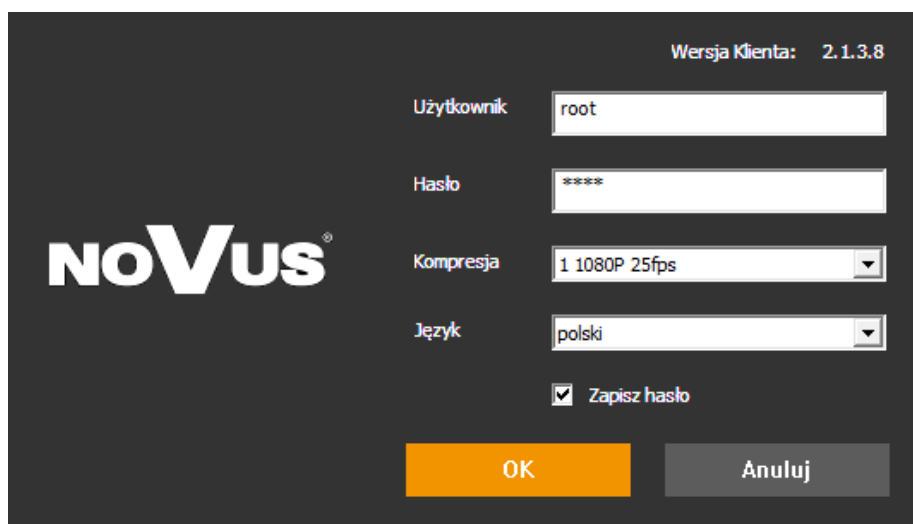
Jeżeli dla przeglądarki Internet Explorer instalacja przeprowadzona w ten sposób się nie powiedzie należy zmienić ustawienia zabezpieczeń przeglądarki. Aby to zrobić należy w przeglądarce Internet Explorer wybrać: *Narzędzia > Opcje internetowe > Zabezpieczenia > Poziom niestandardowy* i następnie zmienić:

- Pobieranie niepodpisanych formantów ActiveX - należy ustawić Włącz lub Monituj
- Inicjowanie i wykonywanie skryptów formantów ActiveX niezaznaczonych jako bezpieczne do wykonywania - należy ustawić Włącz lub Monituj

Można również dodać adres IP kamer do strefy *Zaufane witryny* i ustawić dla tej strefy niski poziom zabezpieczeń.

Dodatkowo w przypadku pracy w systemie Windows Vista i 7 możliwe jest zablokowanie apletu ActiveX przez Windows Defender i Kontrolę konta użytkownika. W takim przypadku należy zezwolić na uruchamianie dodatku lub po prostu wyłączyć działanie blokujących aplikacji.

Po zainstalowaniu dodatku możliwe będzie zalogowanie się do kamery. Domyślny użytkownik to **root**, a hasło **pass**. Ze względów bezpieczeństwa zaleca się zmianę domyślnych wartości. Nową nazwę użytkownika i hasło należy zapamiętać lub zapisać w bezpiecznym miejscu.



Wersja Klienta: 2.1.3.8

Użytkownik: root

Hasło: ****

Kompresja: 1 1080P 25fps

Język: polski

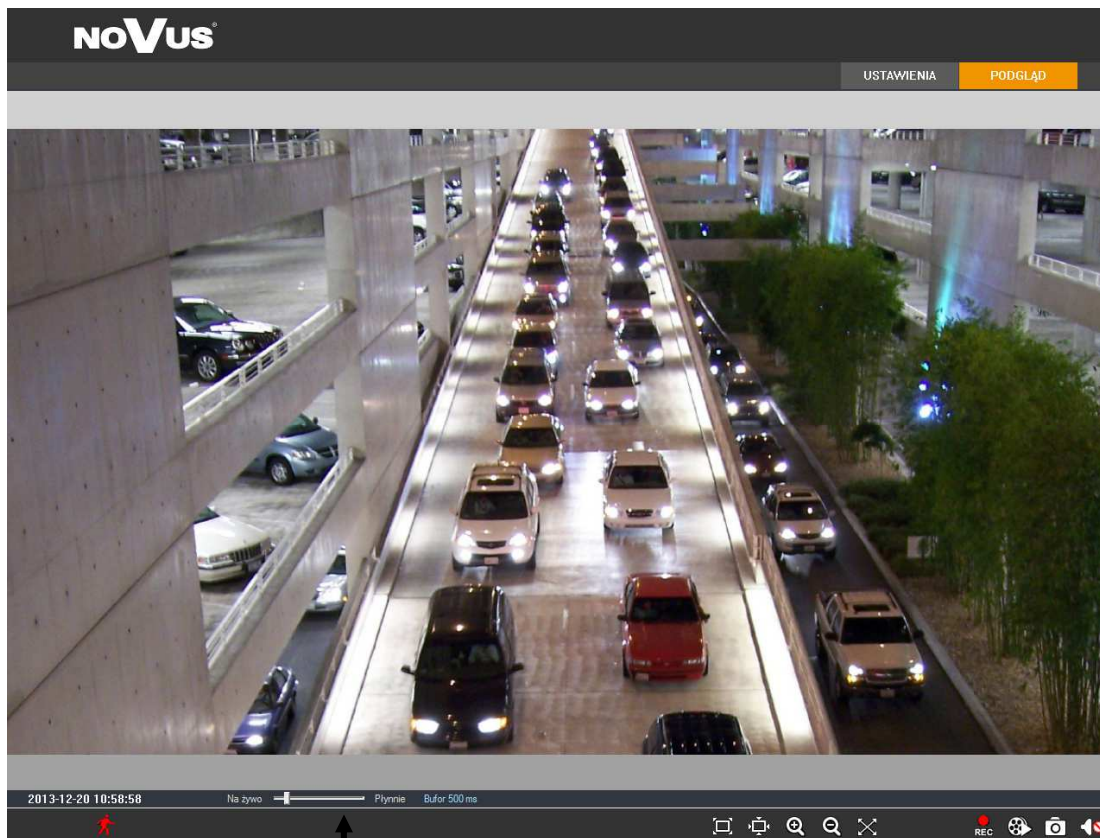
Zapisz hasło

OK Anuluj

INTERFEJS WWW - PRACA Z KAMERA

4. INTERFEJS WWW - PRACA Z KAMERA

4.1. Widok zdalnego podglądu



1

2

3

4

1. Detekcja ruchu

Po wykryciu ruchu ikona zmienia kolor z białego na czerwony.

2. Ustawienia płynności wyświetlania

Aby uzyskać płynny podgląd obrazu przy połączeniu sieciowym słabej jakości można ustawić bufor obrazu w zakresie 0-4s.

3. Ustawienia rozmiaru obrazu



Dopasuj rozmiar



Przybliż



Pełny ekran



Aktualny rozmiar



Oddal

4. Lokalne nagrywanie



Rozpocznij nagrywanie



Zrób zdjęcie



Odtwarzanie



Włącz / wyłącz audio

POŁĄCZENIA ELEKTRYCZNE I ZŁĄCZA AKCESORIÓW

5. POŁĄCZENIA ELEKTRYCZNE I ZŁĄCZA AKCESORIÓW

5.1. Podłączenie zasilania kamery

Kamera może być zasilana przez zewnętrzny zasilacz o parametrach zgodnych z zasilaniem kamery lub przez gniazdo sieciowe RJ45 przy wykorzystaniu technologii PoE (IEEE 802.3af). Do zasilenia kamery poprzez PoE należy użyć przełącznika sieciowego lub zasilacza PoE zgodnego ze standardem IEEE 802.3af.

Informacja:

Zasilacz zewnętrzny nie wchodzi w skład zestawu, należy się w niego zaopatrzyć we własnym zakresie.

UWAGA:

W celu ochrony kamery przed uszkodzeniem zalecane jest zastosowanie zabezpieczeń przepięciowych. Awarie powstałe w wyniku przepięć nie podlegają naprawie gwarancyjnej.

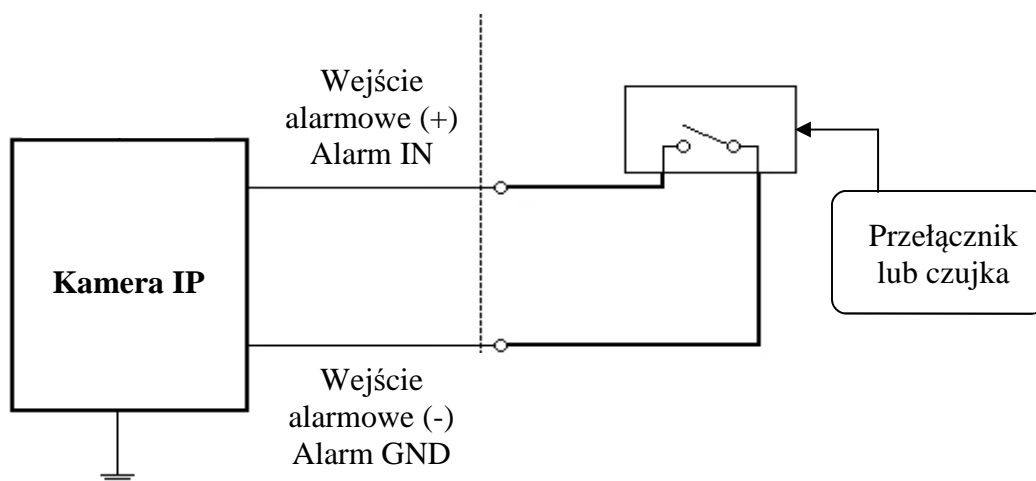
5.2. Sterowanie kamerą - RS-485

Funkcja niedostępna.

5.3. Opis podłączenia wejść i wyjść alarmowych.

Funkcja dostępna tylko dla kamery NVIP-3DN3052H/IR-1P

Wejście alarmowe



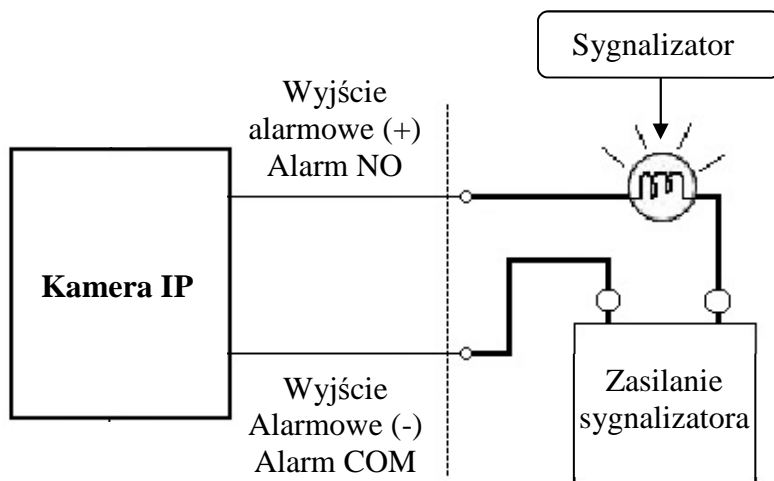
- Typowe połączenia wejścia alarmowego

POŁĄCZENIA ELEKTRYCZNE I ZŁĄCZA AKCESORIÓW

Wyjście alarmowe

Wyjście alarmowe kamery jest wyjściem przekaźnikowym.

- Typowe połączenia przekaźnikowego wyjścia alarmowego.

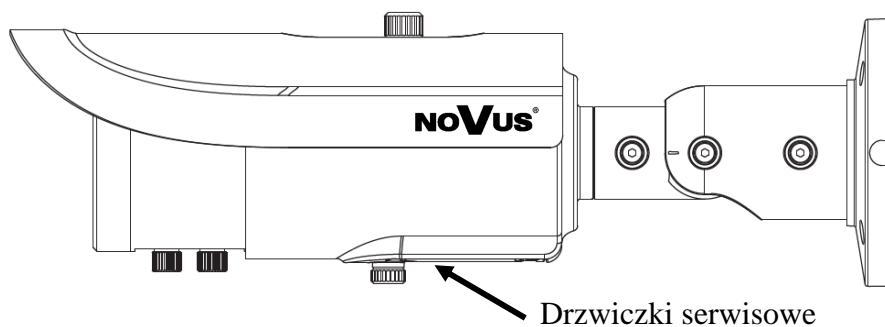


5.4. Instalacja karty SD

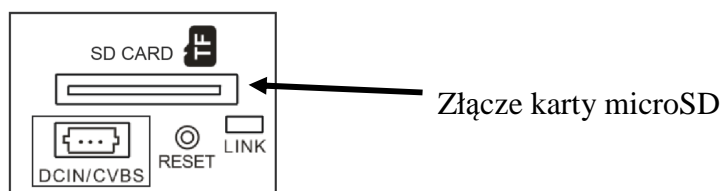
Funkcja dostępna tylko dla kamery NVIP-3DN3052H/IR-1P

Kamera obsługuje karty SD/SDHC o pojemności do 64GB. W celu prawidłowej instalacji karty należy postępować zgodnie z instrukcją:

- Wyłączyć zasilanie kamery
- Odkręcić śrubę do drzwiczek serwisowych i otworzyć drzwiczki serwisowe



- Zainstalować kartę SD w gnieździe znajdującym się przy podstawie kamery zgodnie z rysunkiem



- Zamknąć drzwiczki serwisowe i mocno dokręcić śrubę dociskającą drzwiczki serwisowe
- Włączyć kamerę
- Sprawdzić poprawność zainstalowania karty przez zweryfikowanie jej rozmiaru w zakładce „System -> Karta SD”

PRZYWRACANIE USTAWIENÍ FABRYCZNYCH KAMERY

6. PRZYWRACANIE USTAWIENÍ FABRYCZNYCH KAMERY

Kamery IP firmy NOVUS umożliwiają resetowanie ustawień:

- programowo (z poziomu przeglądarki)
- sprzętowo (przy użyciu przycisku reset)

6.1. Programowe przywracanie ustawień fabrycznych kamery IP

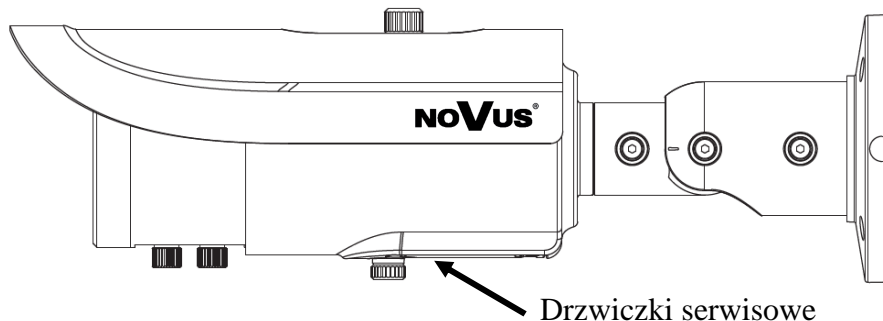
Przywracanie ustawień fabrycznych kamery IP powoduje przywrócenie wszystkich domyślnych ustawień kamery. Kamera zostanie ponownie uruchomiona po ok. 30 sekundach. Opcja do programowego przywrócenia ustawień fabrycznych znajduje się w zakładce „Kopia zapasowana, ustawienia fabryczne”.

6.2. Przywracanie ustawień fabrycznych kamery IP (sprzętowo)

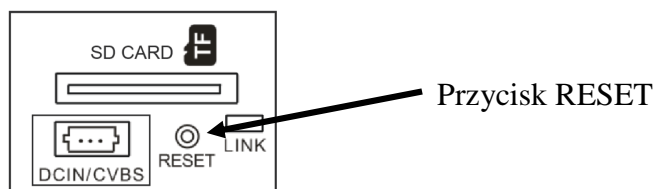
Funkcja dostępna tylko dla kamery NVIP-3DN3052H/IR-1P

W celu sprzętowego przywrócenia ustawień fabrycznych kamery IP należy postępować zgodnie z instrukcją:

- Odkręcić śrubę do drzwiczek serwisowych i otworzyć drzwiczki serwisowe



- Nacisnąć przycisk *RESET* i przytrzymać przez 10 sekund



- Zwolnić przycisk
- Zamknąć drzwiczki serwisowe i mocno dokręcić śrubę dociskającą drzwiczki serwisowe
- Zalogować się ponownie po ok. 30 sekundach używając domyślnego adresu IP (<http://192.168.1.200>), nazwy użytkownika (root) i hasła (pass)

NOVUS[®]

AAT Holding sp. z o.o., ul. Puławska 431, 02-801 Warszawa, Polska
tel.: 22 546 07 00, faks: 22 546 07 59
www.novuscctv.com

2014-11-05 TŁ