

User's manual (short form)

eng



NVIP-5DN3512H/IR-1P

NOVUS[®]

IMPORTANT SAFEGUARDS AND WARNINGS



Our products are manufactured to comply with requirements of the following directives and national regulations implementing the directives:

EMC (2004/108/EC) and LVD (2006/95/EC) Directives

- Electromagnetic compatibility EMC 2004/108/EC.
- Low voltage LVD 2006/95/EC with further amendment. The Directive applies to electrical equipment designed for use with a voltage rating of between 50VAC and 1000VAC as well as 75VDC and 1500VDC.

WEEE Directive 2012/19/EU



Information on Disposal for Users of Waste Electrical and Electronic Equipment

This appliance is marked according to the European 1000VAC Directive on Waste Electrical and Electronic Equipment (2002/96/EC) and further amendments. By ensuring this product is disposed of correctly, you will help to prevent potential negative consequences for the environment and human health, which could otherwise be caused by inappropriate waste handling of this product.

The symbol on the product, or the documents accompanying the product, indicates that this appliance may not be treated as household waste. It shall be handed over to the applicable collection point for used up electrical and electronic equipment for recycling purpose. For more information about recycling of this product, please contact your local authorities, your household waste disposal service or the shop where you purchased the product.

RoHS Directive 2011/65/EU

Out of concern for human health protection and friendly environment, we assure that our products falling under RoHS Directive regulations, regarding the restriction of the use of hazardous substances in electrical and electronic equipment, have been designed and manufactured in compliance with the above mentioned regulations. Simultaneously, we claim that our products have been tested and do not contain hazardous substances whose exceeding limits could have negative impact on human health or natural environment

Information

The device, as a part of professional CCTV system used for surveillance and control, is not designed for self installation in households by individuals without technical knowledge.

Excluding of responsibility in case of damaging data on a disk or other devices:

The manufacturer does not bear any responsibility in case of damaging or losing data on a disk or other devices during device operation.

WARNING!

PRIOR TO UNDERTAKING ANY ACTION THAT IS NOT DESCRIBED FOR THE GIVEN PRODUCT IN USER'S MANUAL AND OTHER DOCUMENTS DELIVERED WITH THE PRODUCT, OR IF IT DOES NOT ARISE FROM THE USUAL APPLICATION OF THE PRODUCT, MANUFACTURER MUST BE CONTACTED UNDER THE RIGOR OF EXCLUDING THE MANUFACTURER'S RESPONSIBILITY FOR THE RESULTS OF SUCH AN ACTION.

IMPORTANT SAFEGUARDS AND WARNINGS

WARNING!

THE KNOWLEDGE OF THIS MANUAL IS AN INDESPENSIBLE CONDITION OF A PROPER DEVICE OPERATION. YOU ARE KINDLY REQUESTED TO FAMILIRIZE YOURSELF WITH THE MANUAL PRIOR TO INSTALLATION AND FURTHER DEVICE OPERATION.

WARNING!

USER IS NOT ALLOWED TO DISASSEMBLE THE CASING AS THERE ARE NO USER -SERVICEABLE PARTS INSIDE THIS UNIT. ONLY AUTHORIZED SERVICE PERSONNEL MAY OPEN THE UNIT

INSTALLATION AND SERVICING SHOULD ONLY BE DONE BY QUALIFIED SERVICE PERSONNEL AND SHOULD CONFORM TO ALL LOCAL REGULATIONS

1. Prior to undertaking any action please consult the following manual and read all the safety and operating instructions before starting the device.
2. Please keep this manual for the lifespan of the device in case referring to the contents of this manual is necessary;
3. All the safety precautions referred to in this manual should be strictly followed, as they have a direct influence on user's safety and durability and reliability of the device;
4. All actions conducted by the servicemen and users must be accomplished in accordance with the user's manual;
5. The device should be disconnected from power sources during maintenance procedures;
6. Usage of additional devices and components neither provided nor recommended by the producer is forbidden;
7. Mounting the device in places where proper ventilation cannot be provided (e. g. closed lockers etc.) is not recommended since it may lead to heat build-up and damaging the device itself as a consequence;
8. Mounting the camera on unstable surface or using not recommended mounts is forbidden. Improperly mounted camera may cause a fatal accident or may be seriously damaged itself. The camera must be mounted by qualified personnel with proper authorization, in accordance with this user's manual.
9. Device should be supplied only from a power sources whose parameters are in accordance with those specified by the producer in the camera technical datasheet. Therefore, it is forbidden to supply the camera from a power sources with unknown parameters, unstable or not meeting producer's requirements;

Due to the product being constantly enhanced and optimized, certain parameters and functions described in the manual in question may change without further notice.

We strongly suggest visiting the www.novusctv.com website in order to access the newest full manual

TABLE OF CONTENTS

TABLE OF CONTENTS	4
1. FOREWORD INFORMATION	5
1.1. General characteristics.....	5
1.2. Technical specification	6
1.3. Camera dimension	7
1.4. Package contents.....	7
2. START-UP AND INITIAL IP CAMERA CONFIGURATION	8
2.1. Description of connectors and control tools.....	8
2.2. Cameras mounting.....	9
2.3. Starting the IP camera.....	10
2.4 Configure parameters using web browser.....	11
3. NETWORK CONNECTION UTILIZING WEB BROWSER	12
3.1. Recommended PC specification for web browser	12
3.2. Connection with IP camera via web browser.....	12
4. USING AND CONFIGURING	14
4.1. Remote Preview Interface.	14
5. ELECTRIC CONNECTORS AND ACCESORIES	15
5.1. Connecting power supply to the camera.	15
5.2. Camera control RS.	15
5.3. Connecting alarm inputs/outputs.....	15
5.4. SD card installation.	16
6. RESTORING FACTORY DEFAULTS	17
6.1. Restoring software factory defaults.....	17
6.2. Restoring factory defaults by hardware means	17

FOREWORD INFORMATION

WARNING!

This statement is a summary containing basic information on the operation and installation of IP cameras. Full and the most recent version of the manual is available at the: www.novuscctv.com.

1. FOREWORD INFORMATION

1.1. General Characteristics

- Imager resolution: 5 megapixels
- Mechanical IR cut filter ,IR operation capability
- Min. Illumination from 0 lx with IR LED on
- Wide Dynamic Range (WDR) for enhanced image quality in diverse light conditions
- Digital Noise Reduction (DNR)
- Lens type: varifocal, f=3.6 ~ 10 mm/F1.5
- Built-in LED illuminator: 48 LED diodes
- Compression: H.265, H.264, MJPEG
- Max video processing resolution: 2592 x 1944
- Multi streaming: compression, resolution, speed and quality defined individually for each video stream
- RTP/RTSP protocol support for video transmission
- Post-alarm functions
- Hardware motion detection
- Built-in webserver: camera configuration through the website
- Wide range of responses to alarm events: e-mail with attachment, saving file on FTP server and triggering alarm output, saving file on SD card
- Software: NMS (NOVUS MANAGEMENT SYSTEM) for video recording, live monitoring, playback and remote IP devices administration
- Power supply: 12VDC, PoE (Power over Ethernet)

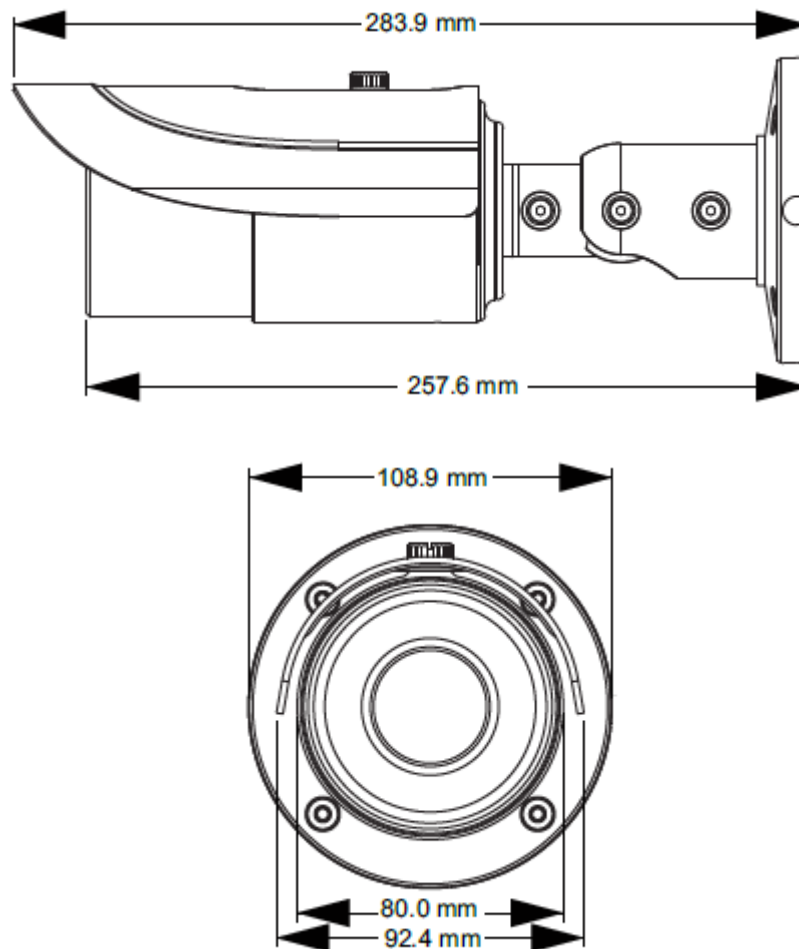
FOREWORD INFORMATION

1.2. Technical specification

Image	
Image Sensor	5 MPX CMOS sensor 1/1.8",OV
Number of Effective Pixels	2592 (H) x 1944 (V)
Min. Illumination	0.016 lx/F1.5 - color mode, 0 lx (IR on) - B/W mode
Electronic Shutter	auto 1/25 s ~ 1/100000 s
Wide Dynamic Range (WDR)	yes
Digital Noise Reduction (DNR)	2D, 3D
Defog Function (F-DNR)	no
Lens	
Lens Type	varifocal, f=3.6 ~ 10 mm/F1.5
Angle of View (H)	83.7° ~ 36.7°
Day/Night	
Switching Type	mechanical IR cut filter
Switching Mode	auto, manual, time, light sensor
Switching Level Adjustment	yes
Switching Schedule	yes
Visible Light Sensor	yes
Network	
Stream Resolution	2592 x 1944, 2560 x 1440 (QHD), 1920 x 1080 (Full HD), 1280 x 720 (HD), 720 x 576 (D1), 352 x 288 (CIF)
Frame Rate	30 fps for 2592 x 1944 and lower resolutions
Multistreaming Mode	3 streams
Video/Audio Compression	H.264, H.265, MJPEG/G.711
Number of Simultaneous Connections	max. 10
Bandwidth	20 Mb/s in total
Network Protocols Support	TCP/IP, UDP, FTP, DHCP, DDNS, NTP, SNTP, RTSP, PPPoE
ONVIF Protocol Support	Profile S (ONVIF 2.3)
Camera Configuration	from Internet Explorer, Firefox, Chrome, languages: Polish, English, Russian, and others
Compatible Software	NMS
Other functions	
Privacy Zones	4
Motion Detection	yes
Region of interest (ROI)	8
Image Processing	90° image rotation, 180° image rotation, sharpening, mirror effect
Prealarm/Postalarm	-/up to 120 s
System Reaction to Alarm Events	e-mail with attachment, saving file on FTP server, saving file on SD card
IR LED	
LED Number	48
Range	50 m
Interfaces	
Video Output	BNC, 1.0 Vp-p, 75 Ohm
Audio Input/Output	1 x Jack (3.5 mm)/1 x Jack (3.5 mm)
Alarm Input/Output	1 (NO/NC)/1 relay type
Network Interface	1 x Ethernet - RJ-45 interface, 10/100/1000 Mbit/s
Installation parameters	
Dimensions (mm)	with bracket: 87 (Φ) x 260 (L)
Weight	0.6 kg
Enclosure	aluminium, white, wall mount bracket in-set included
Power Supply	PoE, 12 VDC
Power Consumption	5 W,
	8.5 W (IR on)
Operating Temperature	-20°C ~ 50°C
Degree of Protection	IP 66

FOREWORD INFORMATION

1.3. Camera dimensions



eng

1.4. Package contents

After you open the package make sure that the following elements are inside:

- IP camera
- Accessories bag
- Short version of user's manual

If any of this elements has been damaged during transport, pack all the elements back into the original box and contact your supplier for further assistance.

CAUTION!

If the device was brought from a location with lower temperature, please wait until it reaches the temperature of location it is currently in. Turning the device on immediately after bringing it from a location with lower ambient temperature is forbidden, as the condensing water vapour may cause short-circuits and damage the device as a result.

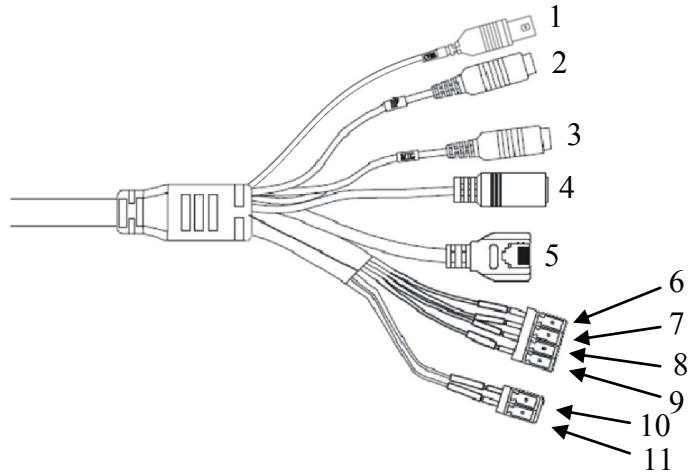
Before starting the device familiarize yourself with the description and the role of particular inputs, outputs and adjusting elements that the device is equipped with.

START-UP AND INITIAL CAMERA CONFIGURATION

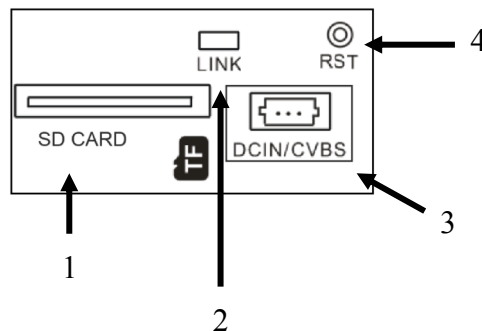
2. START-UP AND INITIAL CAMERA CONFIGURATION

2.1 Description of connectors and control tools

1. BNC video output
2. Audio output
3. Audio input
4. Power supply 12VDC
5. 100 Mb/s Ethernet port (RJ-45 connector)
6. Alarm COM - Alarm output
7. Alarm NO - Alarm output
8. Alarm IN - Alarm input
9. Alarm GND - Alarm input
10. RS485 T+
11. RS485 T-



Internal slots:



1. SD card slot
2. Network indicator
3. Reset button

WARNING! To get access to above ports it is required to open front cover

WARNING! In order to obtain declared degree of protection please seal the camera bracket to prevent water getting inside. Furthermore, when installing the bracket on rough/uneven surfaces, please additionally seal the junction with appropriate sealing mass. Please pay special attention to any mounting holes and if they are a loop-through ones, seal them too.

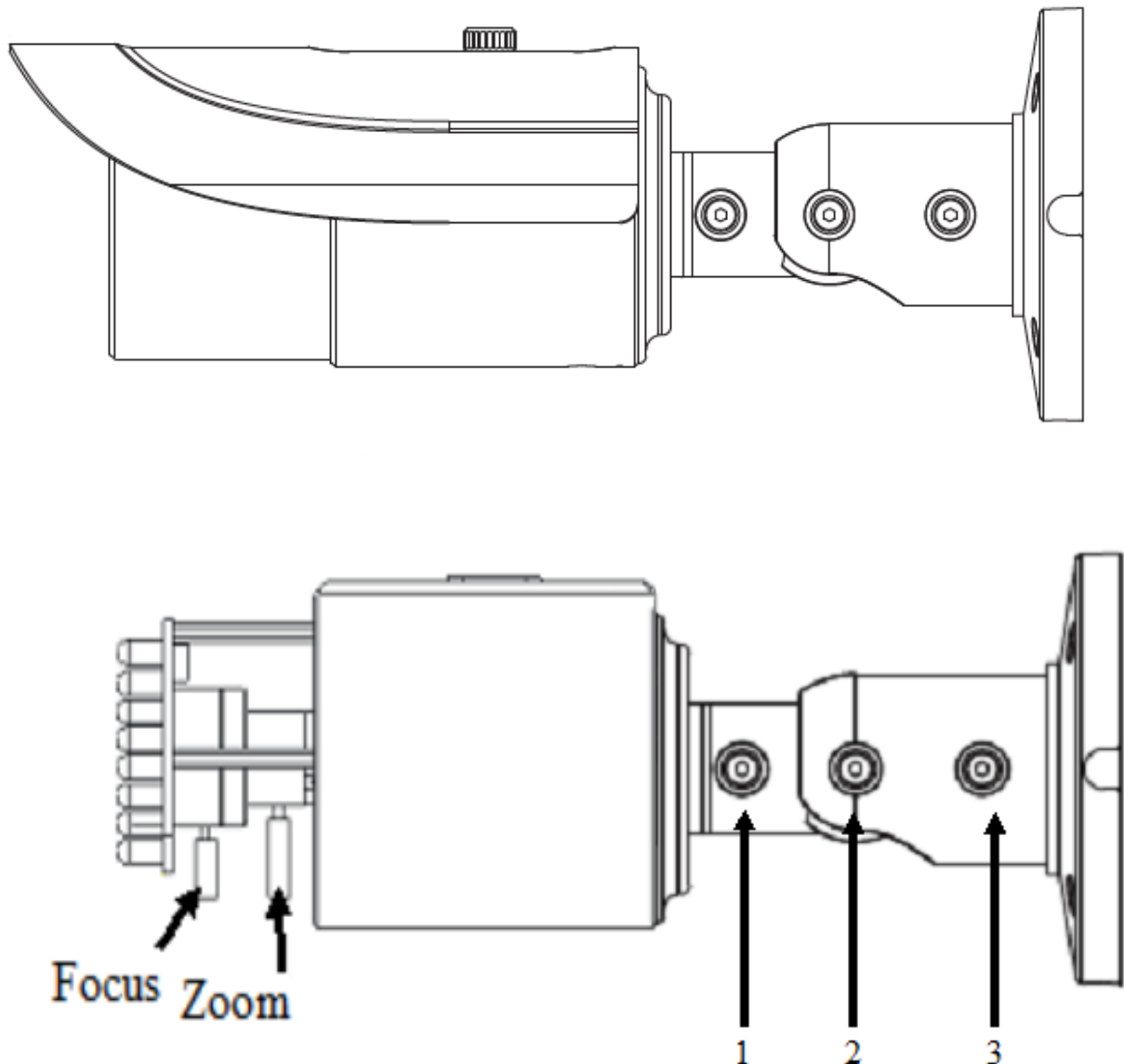
START-UP AND INITIAL CAMERA CONFIGURATION

2.2. Cameras mounting and focus adjustments

To mount a camera please follow the instructions below:

1. Drill the screw holes and the cable hole on the wall according to the drill template.
2. Route the cables to the cable hole and connect the cables.
3. Using included screws mounting base on smooth surface providing declared degree of IP protection.
4. Using allen key loosen screws 1, 2 and 3. Then adjust camera position and tight lock screws.
5. Remover sunshield and front housing and adjust zoom and focus.
6. Optionally insert SD card.
7. Mount front housing and sunshield.

WARNING! Please note that the wall or ceiling must have enough strength to support the IP Camera.



START-UP AND INITIAL CAMERA CONFIGURATION

2.4. Starting the IP camera

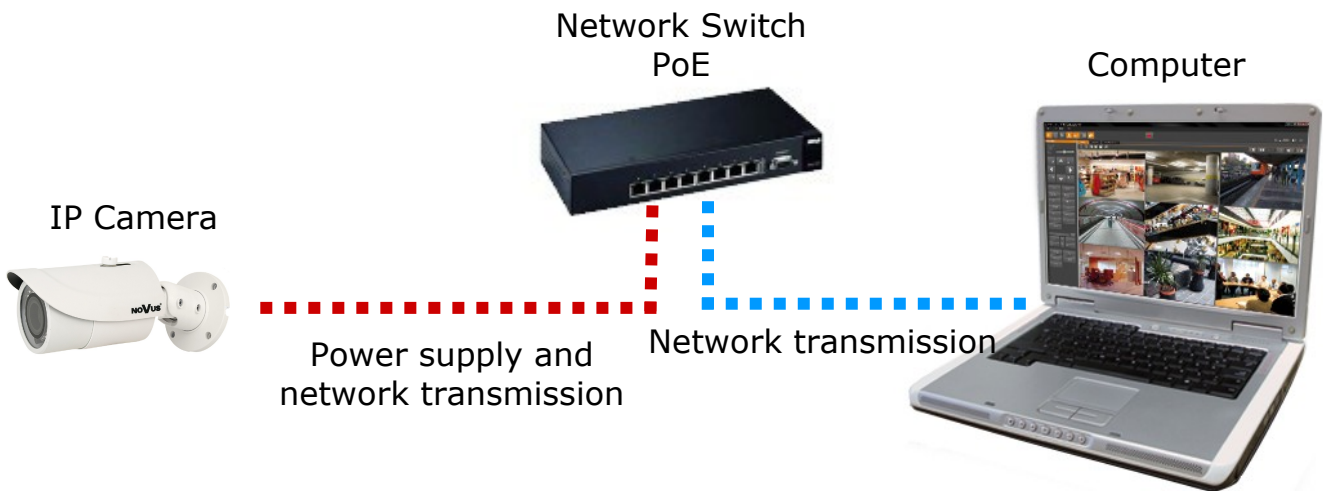
To run NOVUS IP camera you have to connect ethernet cable between camera and network switch.

To power it up you can connect it directly via power supply adapter with parameters compatible with camera power supply specification, or camera can be powered with PoE (IEEE 802.3af) compatible switch.

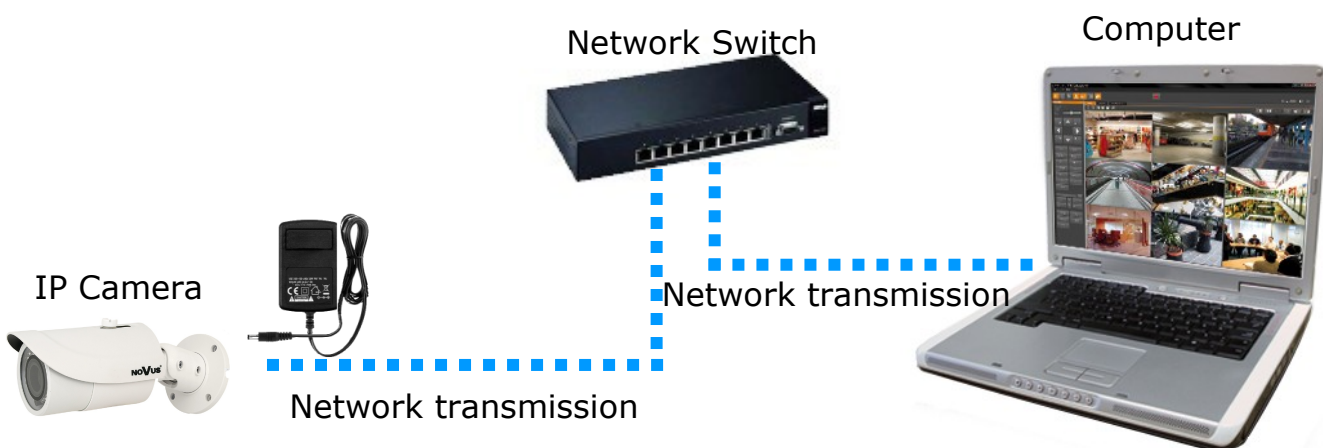
After connecting power supply it takes about 30 seconds to start camera. Then You can proceed to connect to the camera via web browser.

The recommended way to start an IP camera and perform its configuration is a connection directly to the network switch which is not connected to other devices. To obtain further information about network configuration parameters (IP address, gateway, network mask, etc.) please contact your network administrator.

- Connection utilising network switch with PoE support

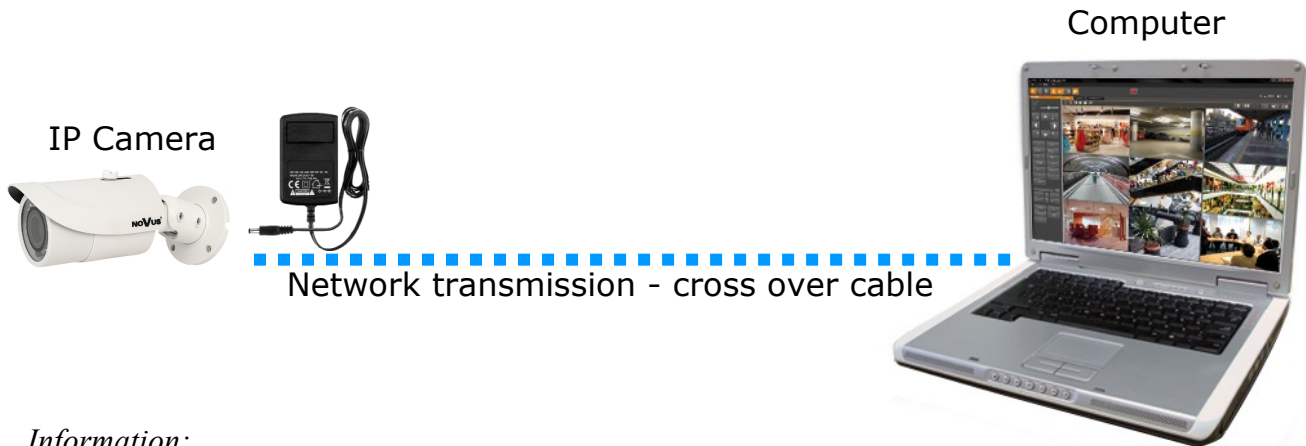


- Connection utilising external power supply and network switch



START-UP AND INITIAL CAMERA CONFIGURATION

- Connection utilising external power supply directly to the computer



Information:

Power supply adapter is not included. Please use power adapter with parameters specified in user 's manual.

Caution:

In order to provide protection against voltage surges/lightning strikes, usage of appropriate surge protectors is advised. Any damages resulting from surges are not eligible for service repairs.

2.5. Initial configuration via the web browser

The default network settings for NVIP-5DN3512H/IR-1P IP camera series are :

1. IP address= **192.168.1.200**
2. Network mask - **255.255.255.0**
3. Gateway - **192.168.1.1**
4. User name - **root**
5. Password - **pass**

Knowing the camera's IP address you need to appropriately set PC IP address, so the two devices can operate in one network subnet (e.g. for IP 192.168.1.1, appropriate address for the camera ranges from 192.168.1.2 to 192.168.1.254, for example 192.168.1.60). It is not allowed to set the same addresses for camera and PC computer

You can either set a network configuration (IP address, gateway, net mask, etc.) of NOVUS IP camera yourself or select DHCP mode (DHCP server is required in this method in target network) by using web browser or by NMS software. When you use DHCP server check IP address lease and its linking with camera MAC address to avoid changing or losing IP address during device operation or network/DHCP server breakdown. You have to remember to use a new camera IP address after changing network parameters.

After network setting configuration has been done, the camera can be connected to a target network.

NETWORK CONNECTION UTILIZING WEB BROWSER

3. NETWORK CONNECTION UTILIZING WEB BROWSER

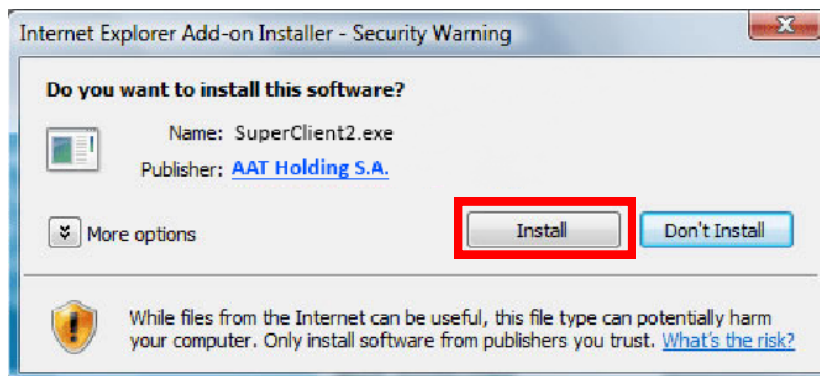
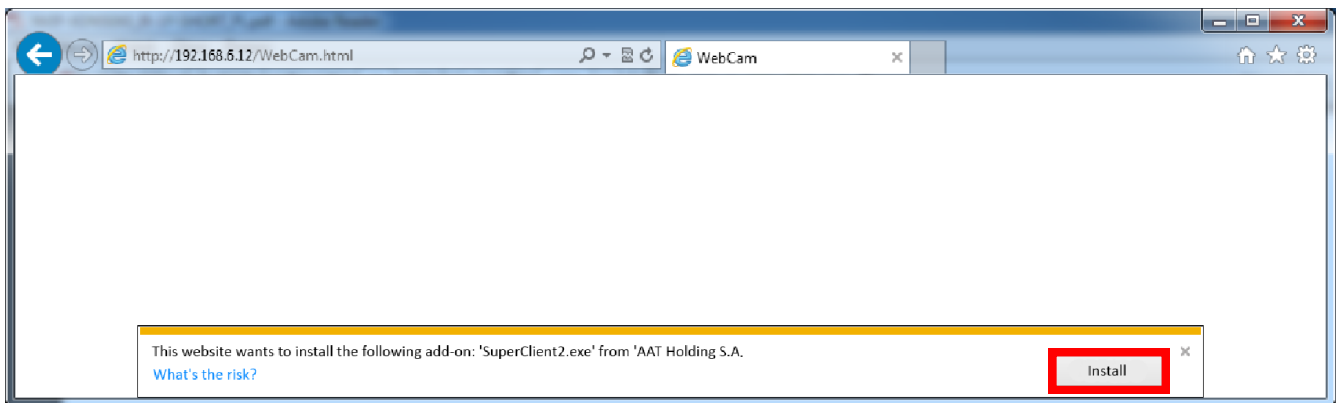
3.1. Recommended PC specification for web browser connections

Requirements below apply to connection with an IP camera, assuming smooth image display in 2592x1944 resolution and 30 fps speed.

1. CPU **Intel Core i3 3 GHz** or newer
2. **RAM** Memory min. **4 GB**
3. Graphic card **NVIDIA GeForce 512 MB** or equivalent
4. OS **Windows 7 / 8 / 8.1 / 10**
5. Network card **10/100/1000 Mb/s**

3.2. Connection with IP camera via web browser

You have to enter camera IP address in the address bar. When you connect to the camera, web browser will download the applet for displaying images from the camera. In Internet Explorer it may be necessary to accept an ActiveX control. To do this, click the right mouse button on the message, select "Install Active X control" and then click Install. After successfully SuperClientEx plug in downloading run and install it on a computer.



NETWORK CONNECTION UTILIZING WEB BROWSER

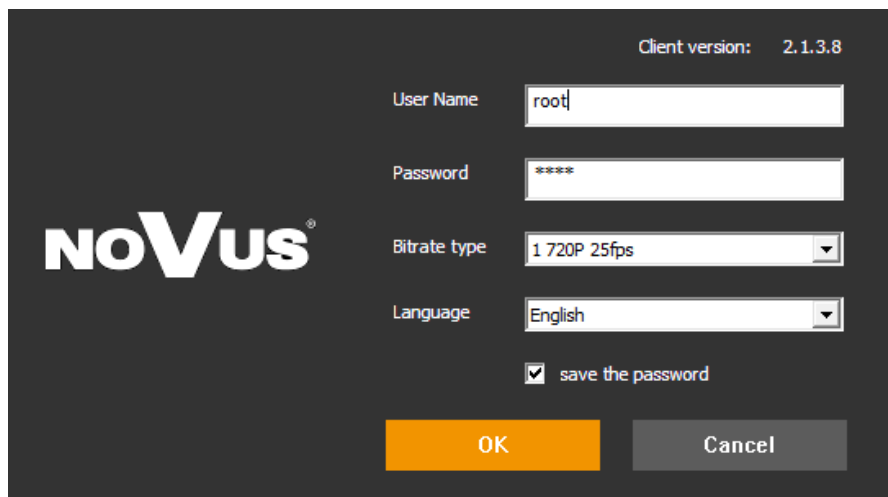
If the installation fails, changing security settings for the IE browser is required. In order to do that, please choose: *Tools > Internet options > Security tab > Custom level* and:

- Under *Download unsigned ActiveX controls* - select either Enable or Prompt
- Under *Initialize and script ActiveX controls not marked as safe* - select Enable or Prompt

You can also add the camera's IP address to "trusted zone" and set lowest security level for it.

In addition, when working in Windows 7/ 8/ 8.1 / 10 the ActiveX applet may be blocked by Windows Defender or User account control. In such case you should allow to run this applet, or simply disable these functions.

After successful installation login window will be displayed. Default user is **root** and default password is **pass**. For safety reasons, it is recommended to change default user name and password.



Client version: 2.1.3.8

User Name: root

Password: ****

Bitrate type: 1 720P 25fps

Language: English

save the password

OK Cancel



REMOTE PREVIEW

4. USING AND CONFIGURING

4.1 Remote Preview Interface








1. Motion detection

-  Motion detection icon changes color from white to red when motion is detected.
-  Alarm icon changes color from white to red when alarm situation has occurred.

2. Display fluency settings

It is possible to increase video display fluency by setting video buffer (0 ~ 4 seconds).

3. Video size settings

-  Fix size
-  Actual size
-  Zoom in (digital)
-  Zoom out (digital)
-  Full screen

4. Local record

-  Start record
-  Snap
-  On/Off microphone
-  Playback
-  Enable / disable audio

5. PTZ

Allow user to configure zoom and focus. (lens control)

ELECTRIC CONNECTORS AND ACCESORIES

5. ELECTRIC CONNECTORS AND ACCESORIES

5.1. Connecting power supply to the camera.

Camera can be supplied using external power supply unit corresponding with the camera parameters or by using RJ45 network socket and PoE (802.3at Type 1) power supply unit.

Information:

Power supply adapter is not included. Please use power adapter with parameters specified in user's manual.

Caution:

In order to provide protection against voltage surges/lightning strikes, usage of appropriate surge protectors is advised. Any damages resulting from surges are not eligible for service repairs.

eng

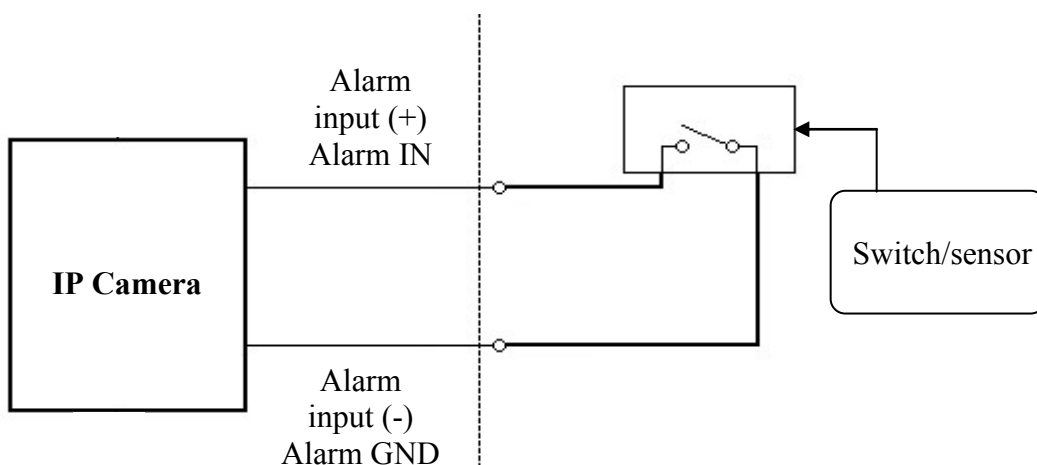
5.2. Camera control - RS-485

Function unavailable.

5.3. Connecting alarm inputs/outputs.

Alarm input

- Alarm input connection

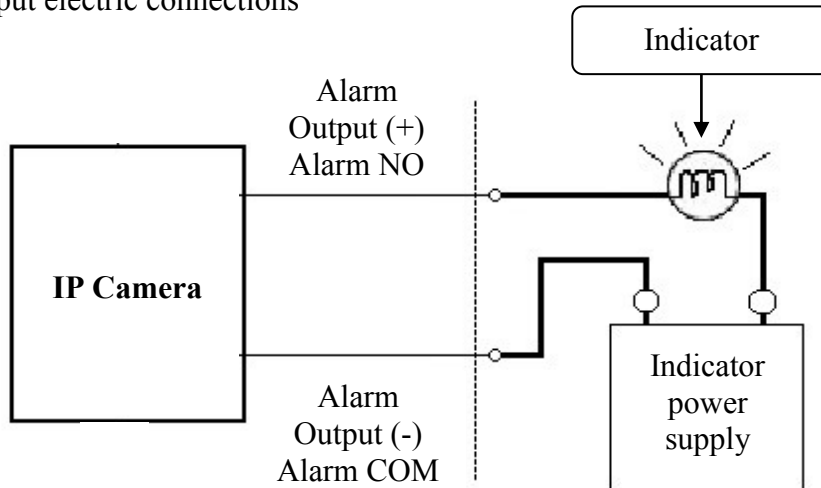


REMOTE PREVIEW

Alarm output

Camera alarm output is an relay output type.

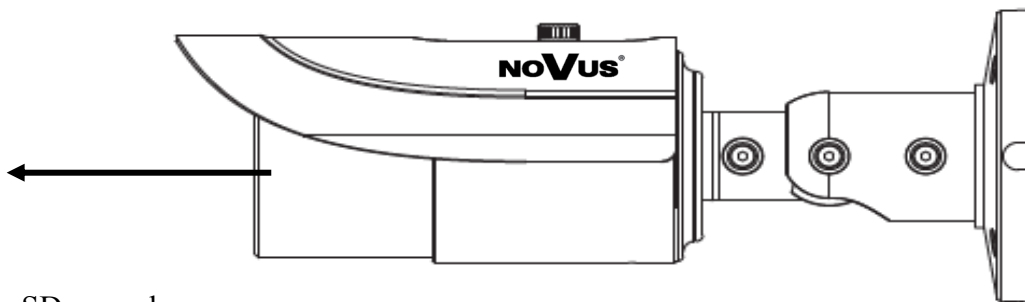
- Alarm output electric connections



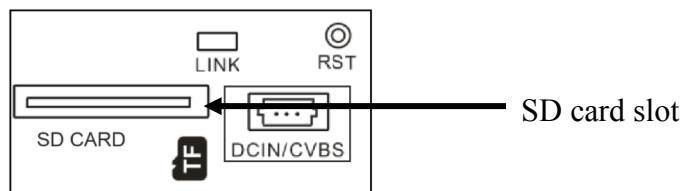
5.4 SD card installation

Camera supports SD/SDHC cards up to a maximum size of 64GB. In order to install the card properly, please follow the instructions below:

- Turn the camera off
- Remove front cover to get access to internal connectors



- Mount SD card, to the picture:



- Close front cover
- Turn the camera on
- Check the SD card by checking its capacity in the “System Config” -> “SD Card” tab.

RESTORING FACTORY DEFAULTS

6. RESTORING FACTORY DEFAULTS

NOVUS IP cameras allow to restore defaults via:

- software (web browser level)
- hardware (using reset button)

6.1. Restoring factory defaults by software means

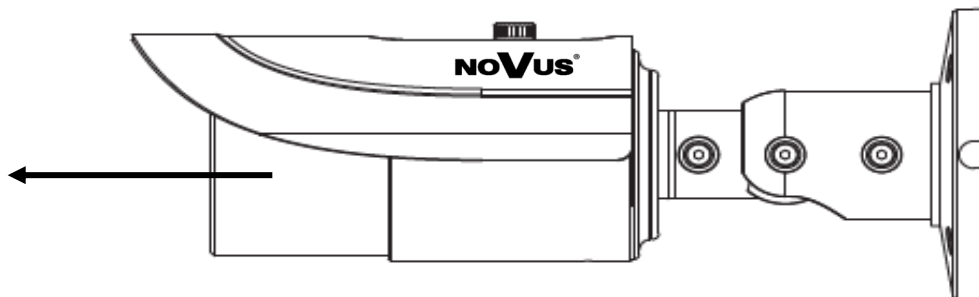
User can restore default settings of the IP camera except network settings. To restore to default settings go to: “Advanced Config -> Config Backup & Restore” tab. Process of restoring takes about two minutes.

eng

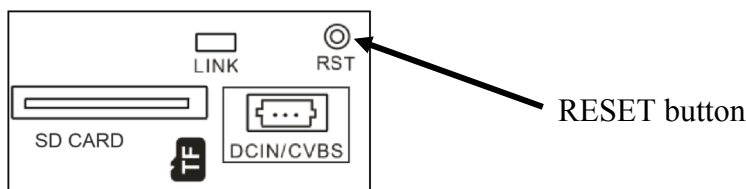
6.2. Restoring factory defaults by hardware means

In order to restore factory defaults for the camera please follow the instructions:

- Remove front cover to get access to internal connectors



- Press the *RESET* button and hold on for 10 seconds



- Release button
- Close front cover off the camera
- Log on after approx. 30 seconds using default IP address (<http://192.168.1.200>) and default user name (root) and password (pass)

NOVUS[®]

AAT Holding S.A., ul. Puławska 431, 02-801 Warszawa, Polska
tel.: 22 546 07 00, faks: 22 546 07 59
www.novuscctv.com

2016-03-31 JB, MK

Instrukcja obsługi (skrótowa)

pl



NVIP-5DN3512H/IR-1P

NOVUS[®]

UWAGI I OSTRZEŻENIA

Dyrektywy EMC (2004/108/EC) i LVD (2006/95/EC)



Oznakowanie CE

Nasze produkty spełniają wymagania zawarte w dyrektywach oraz przepisach krajowych wprowadzających dyrektywy:

Kompatybilność elektromagnetyczna EMC 2004/108/EC.

Niskonapięciowa LVD 2006/95/EC. Dyrektywa ma zastosowanie do sprzętu elektrycznego przeznaczonego do użytkowania przy napięciu nominalnym od 50VAC do 1000VAC oraz od 75VDC do 1500VDC.



Dyrektywa WEEE 2012/19/UE

Informacja dla użytkowników o pozbywaniu się urządzeń elektrycznych i elektronicznych

Niniejszy produkt został oznakowany zgodnie z Dyrektywą WEEE (2002/96/EC) oraz późniejszymi zmianami, dotyczącą zużytego sprzętu elektrycznego i elektronicznego. Zapewniając prawidłowe złomowanie przyczyniają się Państwo do ograniczenia ryzyka wystąpienia negatywnego wpływu produktu na środowisko i zdrowie ludzi, które mogłoby zaistnieć w przypadku niewłaściwej utylizacji urządzenia.

Symbol umieszczony na produkcie lub dołączonych do niego dokumentach oznacza, że nasz produkt nie jest klasyfikowany jako odpad z gospodarstwa domowego. Urządzenie należy oddać do odpowiedniego punktu utylizacji odpadów w celu recyklingu. Aby uzyskać dodatkowe informacje dotyczące recyklingu niniejszego produktu należy skontaktować się z przedstawicielem władz lokalnych, dostawcą usług utylizacji odpadów lub sklepem, gdzie nabyto produkt.



Dyrektywa RoHS 2011/65/UE

Informacja dla użytkowników dotycząca ograniczenia użycia substancji niebezpiecznych w sprzęcie elektrycznym elektronicznym.

W trosce o ochronę zdrowia ludzi oraz przyjazne środowisko zapewniamy, że nasze produkty podlegające przepisom dyrektywy RoHS, dotyczącej użycia substancji niebezpiecznych w sprzęcie elektrycznym i elektronicznym, zostały zaprojektowane i wyprodukowane zgodnie z wymaganiami tej dyrektywy. Jednocześnie zapewniamy, że nasze produkty zostały przetestowane i nie zawierają substancji niebezpiecznych w ilościach mogących niekorzystnie wpływać na zdrowie człowieka lub środowisko naturalne.

Informacja

Urządzenie, jako element profesjonalnego systemu telewizji dozorowej służącego do nadzoru i kontroli, nie jest przeznaczone do samodzielnego montażu w gospodarstwach domowych przez osoby nie posiadające specjalistycznej wiedzy.

Wyłączenie odpowiedzialności w przypadku uszkodzenia danych zawartych na dysku lub innych urządzeniach:



Producent nie ponosi odpowiedzialności w razie uszkodzenia lub utraty w trakcie eksploatacji Produktu danych zawartych na dyskach lub innych urządzeniach.

Obowiązek konsultowania się z Producentem przed wykonaniem czynności nieprzewidzianej instrukcją obsługi albo innymi dokumentami:

Przed wykonaniem czynności, która nie jest przewidziana dla danego Produktu w instrukcji obsługi, innych dokumentach dołączonych do Produktu lub nie wynika ze zwykłego przeznaczenia Produktu, należy, pod rygorem wyłączenia odpowiedzialności Producenta za następstwa takiej czynności, skontaktować się z Producentem.

WARUNKI BEZPIECZEŃSTWA

UWAGA!

ZNAJOMOŚĆ NINIEJSZEJ INSTRUKCJI JEST NIEZBĘDNYM WARUNKIEM PRAWIDŁOWEJ EKSPLOATACJI URZĄDZENIA. PROSIMY O ZAPOZNANIE SIĘ Z NIM PRZED PRZYSTĄPIENIEM DO INSTALACJI I OBSŁUGI REJESTRATORA.

UWAGA!

NIE WOLNO DOKONYWAĆ ŻADNYCH SAMODZIELNYCH NAPRAW. WSZYSTKIE NAPRAWY MOGĄ BYĆ REALIZOWANE JEDYNIEM PRZEZ WYKWALIFIKOWANYCH PRACOWNIKÓW SERWISU.

1. Przed zainstalowaniem i rozpoczęciem eksploatacji należy dokładnie zapoznać się z niniejszą instrukcją obsługi i zawartymi w niej wymogami bezpieczeństwa;
2. Uprasza się o zachowanie instrukcji na czas eksploatacji kamery na wypadek konieczności odniesienia się do zawartych w niej treści;
3. Należy skrupulatnie przestrzegać wymogów bezpieczeństwa opisanych w instrukcji, gdyż mają one bezpośredni wpływ na bezpieczeństwo użytkowników i trwałość oraz niezawodność urządzenia;
4. Wszystkie czynności wykonywane przez instalatorów i użytkowników muszą być realizowane zgodnie z opisem zawartym w instrukcji;
5. W czasie czynności konserwatorskich urządzenie musi być odłączone od zasilania;
6. Nie wolno stosować żadnych dodatkowych urządzeń lub podzespołów nie przewidzianych i nie zalecanych przez producenta;
7. Nie należy instalować tego urządzenia w miejscu, gdzie nie można zapewnić właściwej wentylacji (np. zamknięte szafki, itp.), co powoduje zatrzymanie się ciepła i w konsekwencji może doprowadzić do uszkodzenia;
8. Nie wolno umieszczać kamery na niestabilnych powierzchniach. Kamera musi być instalowana przez wykwalifikowany personel o odpowiednich uprawnieniach według zaleceń podanych w niniejszej instrukcji;
9. Urządzenie może być zasilane jedynie ze źródeł o parametrach zgodnych ze wskazanymi przez producenta w danych technicznych serwera wideo. Dlatego też, zabrania się zasilania kamery ze źródeł o nieznanym, niestabilnym lub niezgodnym z wymaganiami określonymi przez producenta parametrach.

Informacja

Ponieważ produkt jest stale ulepszany i optymalizowany niektóre parametry i funkcje opisane w załączonej instrukcji mogły ulec zmianie. Prosimy o zapoznanie się z najnowszą pełną instrukcją obsługi znajdującą się na stronie www.novuscctv.pl.

Producent, firma AAT Holding S.A. zastrzega sobie możliwość wystąpienia błędów w druku oraz zmian parametrów technicznych bez uprzedniego powiadomienia.

SPIS TREŚCI

SPIS TREŚCI	4
1. INFORMACJE WSTĘPNE	5
1.1. Charakterystyka ogólna	5
1.2. Dane techniczne	6
1.3. Wymiary kamery	7
1.4. Zawartość opakowania	7
2. URUCHAMIANIE I WSTĘPNA KONFIGURACJA KAMERY IP	8
2.1. Opis złączy elektrycznych oraz elementów regulacyjnych	8
2.2. Montaż kamery	9
2.3. Uruchomienie kamery IP	10
2.4. Konfiguracja parametrów przy użyciu przeglądarki internetowej	11
3. POŁĄCZENIA SIECIOWE ZA POMOCĄ PRZEGLĄDARKI WWW	12
3.1. Zalecana konfiguracja komputera PC do połączeń przez przeglądarkę WWW	12
3.2. Połączenie sieciowe z kamerą IP za pomocą przeglądarki WWW	12
4. INTERFEJS WWW - PRACA Z KAMERĄ	14
4.1. Widok zdalnego podglądu	14
5. POŁĄCZENIA ELEKTRYCZNE I ZŁĄCZA AKCESORIÓW	15
5.1. Podłączenie zasilania kamery	15
5.2. Sterowanie kamerą	15
5.3. Opis podłączenia wejść i wyjść alarmowych	15
5.4. Instalacja karty SD	16
6. PRZYWRACANIE USTAWIEŃ FABRYCZNYCH KAMERY	17
6.1. Programowe przywracanie ustawień fabrycznych kamery IP	17
6.2. Przywracanie ustawień fabrycznych kamery IP (sprzętowe)	17

INFORMACJE WSTĘPNE

UWAGA!

Niniejsza instrukcja jest instrukcją skróconą, zawierającą podstawowe informacje na temat funkcjonowania i instalacji kamery IP. Pełna i najbardziej aktualna wersja instrukcji jest dostępna na stronie: www.novusctv.pl.

1. INFORMACJE WSTĘPNE

1.1. Charakterystyka ogólna

- Rozdzielczość przetwornika: 5.0 megapikseli
- Mechaniczny filtr podczerwieni (możliwość pracy w podczerwieni)
- Czułość od 0 lx przy włączonym oświetlaczu IR
- Szeroki zakres dynamiki (WDR) - funkcja poprawiająca jakość obrazu dla różnych poziomów oświetlenia sceny
- Cyfrowa redukcja szumu (DNR)
- Typ obiektywu: zmiennoogniskowy $f=3.6 \sim 10$ mm/F1.5
- Wbudowany oświetlacz podczerwieni: 48 diod LED
- Wbudowany webserwer: kompresja i transmisja przez sieć wideo i audio w czasie rzeczywistym
- Kompresja H.265, H.264, MJPEG
- Rozdzielczość przetwarzania wideo: 2592 x 1944
- Możliwość definiowania kompresji, rozdzielczości, prędkości i jakości dla każdego strumienia
- Przesyłanie wideo w standardzie RTP/RTSP
- Funkcja po-alarmu
- Funkcja harmonogramu
- Sprzętowa detekcja ruchu
- Jednokierunkowa transmisja audio
- Dwukierunkowa transmisja audio
- Możliwość szerokiego definiowania reakcji systemu na zdarzenia alarmowe: e-mail z załącznikiem, zapis pliku na serwer FTP (oraz wyzwolenie wyjścia alarmowego, zapis pliku na kartę SD
- Oprogramowanie: NMS (NOVUS MANAGEMENT SYSTEM) - do rejestracji wideo, podglądu „na żywo”, odtwarzania oraz zdalnej konfiguracji urządzeń wideo IP
- Zasilanie 12 VDC/ PoE (Power over Ethernet)

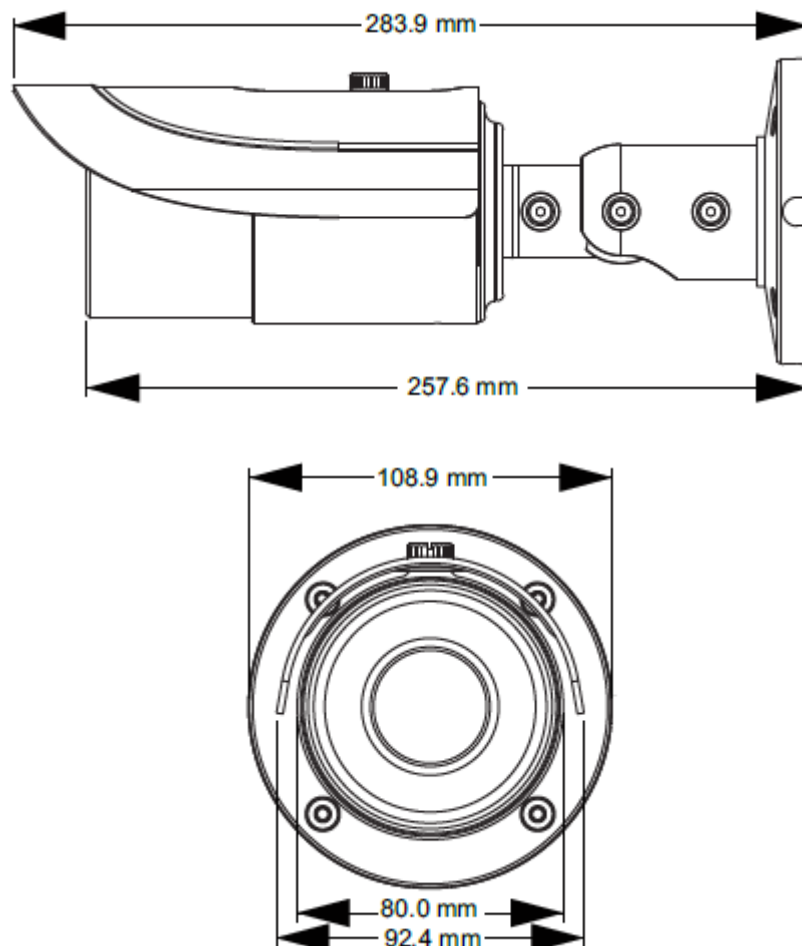
INFORMACJE WSTĘPNE

1.2. Dane techniczne

Obraz	
Przetwornik obrazu	5 MPX, matryca CMOS, 1/1.8", OV
Liczba efektywnych pikseli	2592 (H) x 1944 (V)
Czułość	0.016 lx/F1.5 - tryb kolorowy,
	0 lx (IR wł.) - tryb czarno-biały
Elektroniczna migawka	automatyczna: 1/25 s ~ 1/100000 s
Szeroki zakres dynamiki (WDR)	tak
Cyfrowa redukcja szumu (DNR)	2D, 3D
Funkcja Defog (F-DNR)	nie
Obiektyw	
Typ obiektywu	ze zmienną ogniskową, f=3.6 ~ 10 mm/F1.5
Poziomy kąt widzenia obiektywu	83.7° ~ 36.7°
Dzień/noc	
Rodzaj przełączania	mechaniczny filtr podczerwieni
Tryb przełączania	automatyczny, manualny, czasowy, czujnik światła
Regulacja poziomu przełączania	tak
Harmonogram przełączania	tak
Czujnik światła widzialnego	tak
Sieć	
Rozdzielczość strumienia wideo	2592 x 1944, 2560 x 1440 (QHD), 1920 x 1080 (Full HD), 1280 x 720 (HD), 720 x 576 (D1),
Prędkość przetwarzania	30 kl/s dla 2592 x 1944 i niższych rozdzielczości
Tryb wielostrumieniowy	3 strumienie
Kompresja wideo/audio	H.264, H.265, MJPEG/G.711
Liczba jednoczesnych połączeń	maks. 10
Przepustowość	łącznie 20 Mb/s
Obsługiwane protokoły sieciowe	TCP/IP, UDP, FTP, DHCP, DDNS, NTP, SNTP, RTSP, PPPoE
Wsparcie protokołu ONVIF	Profile S (ONVIF 2.3)
Konfiguracja kamery	z poziomu przeglądarki Internet Explorer, Firefox, Chrome, Opera języki: polski, angielski, rosyjski, i inne
Kompatybilne oprogramowanie	NMS
Pozostałe funkcje	
Strefy prywatności	4
Detekcja ruchu	tak
Obszar obserwacji (ROI)	8
Obróbka obrazu	obrót obrazu o 90°, obrót obrazu o 180°, wyostrzenie, odbicie lustrzane
Prealarm/postalarm	-/do 120 s
Reakcja na zdarzenia alarmowe	e-mail z załącznikiem, zapis na FTP, zapis na kartę SD
Oświetlacz IR	
Liczba LED	48
Zasięg	50 m
Interfejsy	
Wyjście wideo	BNC, 1.0 Vp-p, 75 Ohm
Wejścia/wyjścia audio	1 x Jack (3.5 mm)/1 x Jack (3.5 mm)
Wejścia/wyjścia alarmowe	1 (NO/NC)/1 typu przekaźnik
Interfejs sieciowy	1 x Ethernet - złącze RJ-45, 10/100/1000 Mbit/s
Parametry instalacyjne	
Wymiary (mm)	z uchwytem: 87 (Φ) x 260 (dł.)
Masa	0.6 kg
Obudowa	aluminiowa, w kolorze białym, uchwyt ścienny w zestawie
Zasilanie	PoE, 12 VDC
Pobór mocy	5 W,
	8.5 W (IR wł.)
Temperatura pracy	-20°C ~ 50°C
Klasa szczelności	IP 66

INFORMACJE WSTĘPNE

1.3. Wymiary kamery



1.4. Zawartość opakowania

Po otwarciu należy upewnić się czy w opakowaniu znajdują się następujące elementy:

- Kamera IP
- Torebka z akcesoriami montażowymi
- Skrócona instrukcja obsługi.

Jeżeli którykolwiek z elementów został uszkodzony w transporcie, należy spakować zawartość z powrotem do oryginalnego opakowania i skontaktować się z dostawcą.

UWAGA!

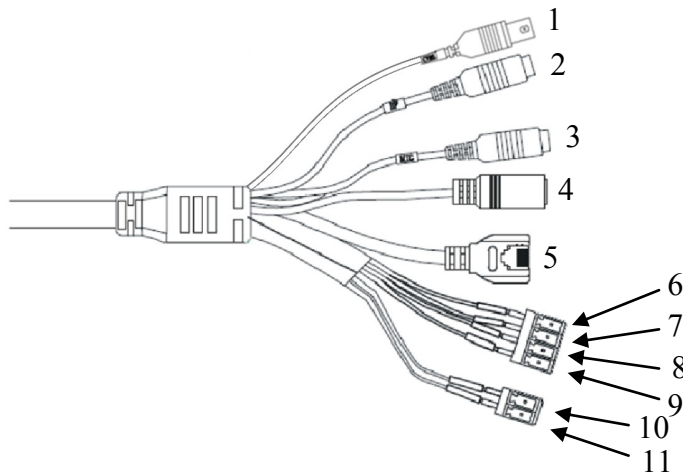
Jeżeli urządzenie przyniesione zostało z pomieszczenia o niższej temperaturze należy odczekać aż osiągnie temperaturę pomieszczenia, w którym ma pracować. Nie wolno włączać urządzenia bezpośrednio po przyniesieniu z chłodniejszego miejsca. Kondensacja zawartej w powietrzu pary wodnej może spowodować zwarcia i w konsekwencji uszkodzenie urządzenia.

Przed uruchomieniem urządzenia należy zapoznać się z opisem i rolą poszczególnych wejść, wyjść oraz elementów regulacyjnych, w które wyposażone są kamery.

INFORMACJE WSTĘPNE

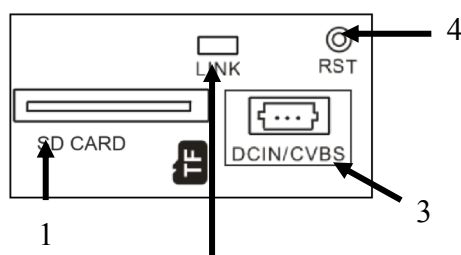
2. URUCHAMIANIE I WSTĘPNA KONFIGURACJA KAMERY IP

2.1. Opis złączy elektrycznych oraz elementów regulacyjnych



1. Wyjście wideo BNC
2. Wyjście audio (HP)
3. Wejście audio (MIC)
4. Złącze zasilania kamery 12VDC
5. Port Ethernet 100 Mb/s (gniazdo RJ-45)
6. Wyjście alarmowe, zacisk przekaźnika alarmu (Alarm COM)
7. Wyjście alarmowe, normalnie otwarte (Alarm NO)
8. Wejście alarmowe (Alarm IN)
9. Wejście alarmowe, GND (Alarm GND)
10. RS485 T+ (opcja niedostępna)
11. RS485 T- (opcja niedostępna)

Złącza wewnętrzne:



1. Złącze kart SD
2. Dioda sygnalizująca połączenie z siecią.
3. Przycisk RESET. Dłuższe przytrzymanie przycisku spowoduje powrót do ustawień domyślnych urządzenia.

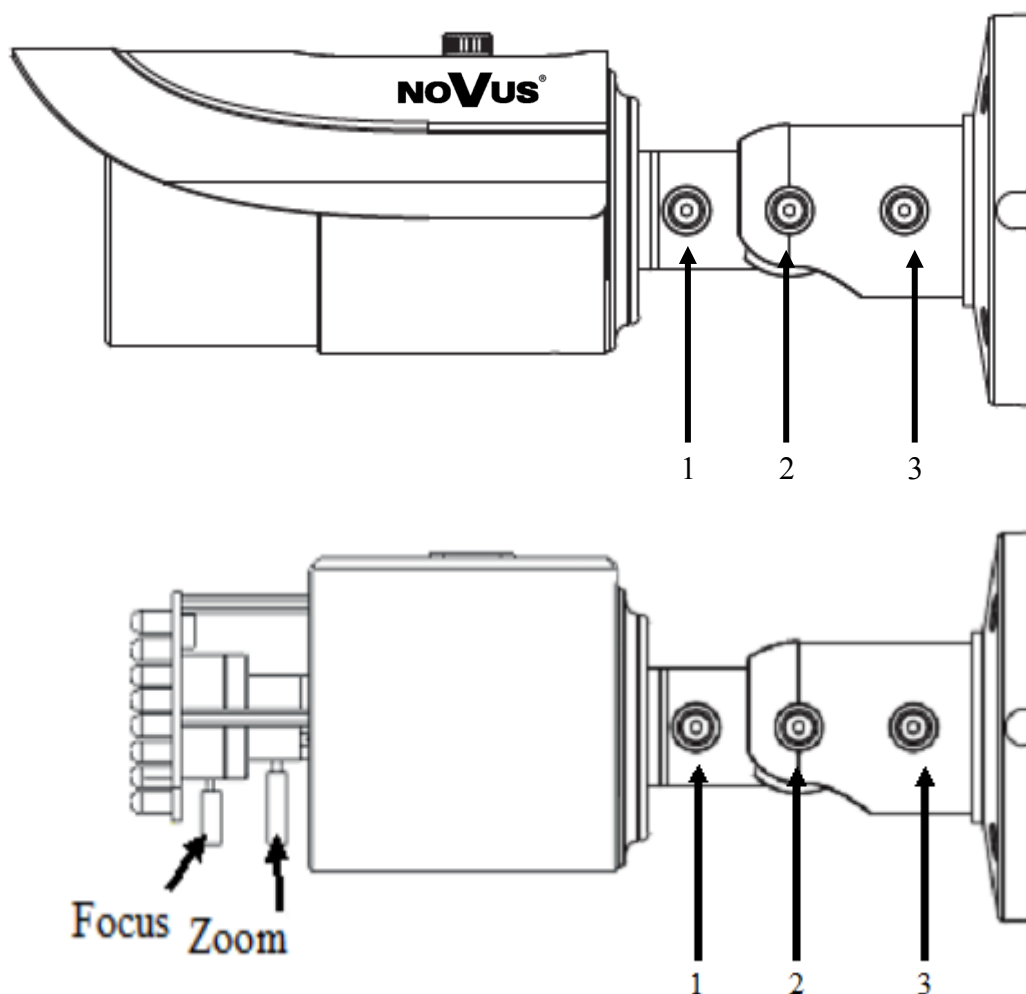
UWAGA! Aby uzyskać dostęp do powyższych portów należy otworzyć drzwiczki serwisowe znajdujące się w dolnej części kamery.

INFORMACJE WSTĘPNE

Uwaga! W celu zapewnienia deklarowanej szczelności należy zabezpieczyć uchwyt kamery przed wciekaniem wody do jego środka. W przypadku instalacji na nierównych/chropowatych powierzchniach, miejsce instalacji uchwytu należy dodatkowo uzupełnić masą uszczelniającą. Szczególną uwagę należy zwrócić również na otwory montażowe i jeśli są przelotowe należy je uszczelnić.

2.2 Montaż kamery

1. Przy pomocy dołączonego szablonu montażowego zaznaczyć punkty wiercenia na powierzchni na której ma zostać zamocowana kamera.
2. Wywiercić w zaznaczonych miejscach otwory pod wkręty mocujące i przewody.
3. Podłączyć kamerę i zamocować podstawę kamery przy użyciu załączonych wkrętów montażowych.
4. Za pomocą klucza imbusowego poluzować śruby 1, 2, 3 i ustawić kamerę, a następnie dokręcić wszystkie śruby.
5. Zdjąć daszek i odkręcić osłonę, dokonać regulacji przybliżenia i ostrości
6. Opcjonalnie zainstalować kartę SD
7. Przykręcić osłonę i założyć daszek.



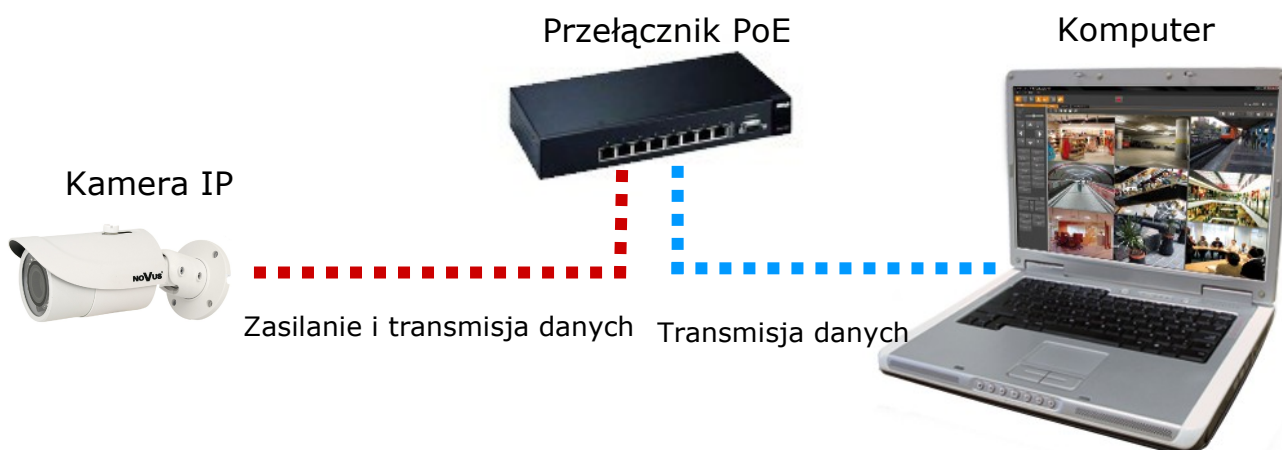
URUCHAMIANIE I WSTĘPNA KONFIGURACJA KAMERY IP

2.3. Uruchomienie kamery IP

W celu uruchomienia kamery należy podłączyć kabel ethernetowy do gniazda sieciowego RJ45 kamery IP, a drugi koniec do przełącznika sieciowego. Jako źródło zasilania możliwe jest wykorzystanie zewnętrznego stabilizowanego zasilacza o parametrach spełniających wymagania kamery lub przełącznika sieciowego PoE.

Zalecaną metodą uruchomienia i konfiguracji kamery IP jest połączenie jej do komputera PC lub laptopa w wydzielonym przełączniku sieciowym, do którego nie ma podłączonych innych urządzeń. W przypadku zasilania z zewnętrznego zasilacza wystarczy zastosować dowolny przełącznik sieciowy, lub kabel podłączony bezpośrednio do komputera. W celu uzyskania danych potrzebnych do konfiguracji sieci (adres IP, brama, maska sieci itd.) należy skontaktować się z administratorem sieci, w której urządzenie ma pracować.

- Połączenie wykorzystujące przełącznik sieciowy PoE

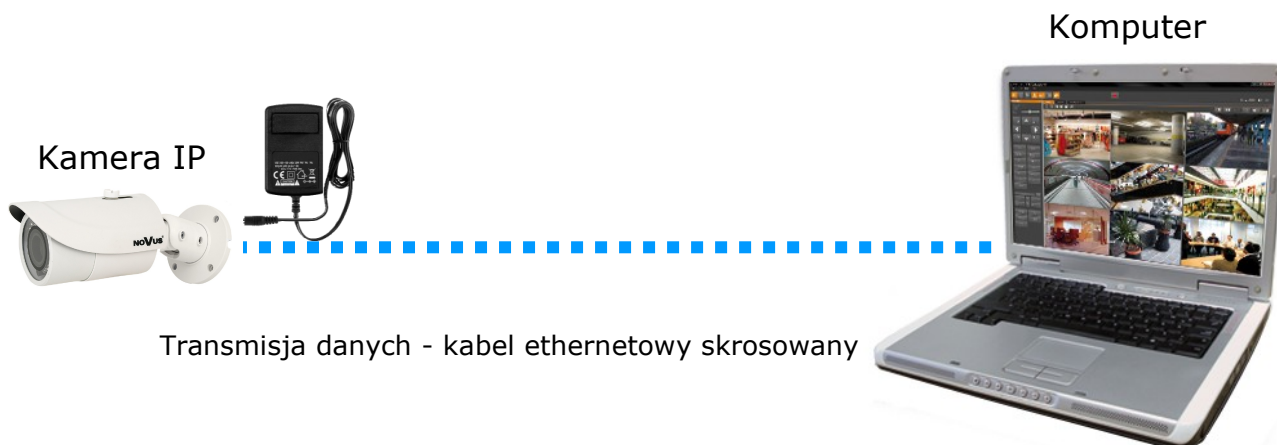


- Połączenie wykorzystujące zewnętrzne zasilanie kamery i przełącznik sieciowy



URUCHAMIANIE I WSTĘPNA KONFIGURACJA KAMERY IP

- Połączenie wykorzystujące zewnętrzne zasilanie kamery i kabel ethernetowy



Informacja:

Zasilacz zewnętrzny nie wchodzi w skład zestawu, należy się w niego zaopatrzyć we własnym zakresie.

UWAGA:

W celu ochrony kamery przed uszkodzeniem zalecane jest zastosowanie zabezpieczeń przepięciowych. Awarie powstałe w wyniku przepięć nie podlegają naprawie gwarancyjnej.

2.5. Konfiguracja parametrów przy użyciu przeglądarki internetowej

Konfigurację sieciową kamery można przeprowadzić przy pomocy przeglądarki internetowej.

Domyślne ustawienia sieciowe dla kamer IP serii NVIP-5DN3512H/IR-1P to :

1. Adres IP = **192.168.1.200**
2. Maska sieci - **255.255.255.0**
3. Brama - **192.168.1.1**
4. Nazwa użytkownika - **root**
5. Hasło - **pass**

Znając adres IP kamery należy ustawić adres IP komputera w taki sposób aby oba urządzenia pracowały w jednej podsieci (dla adresu IP kamery 192.168.1.200 jako adres IP komputera PC możemy ustawić adres z zakresu 192.168.1.0 - 192.168.1.254, np.: 192.168.1.60). Niedopuszczalne jest ustawianie adresu komputera takiego samego jak adres kamery.

Wykorzystując połączenie przez przeglądarkę internetową Internet Explorer lub oprogramowanie NMS należy ustawić docelową konfigurację sieciową (adres IP, maskę sieci, bramę, serwery DNS) lub włączyć tryb pracy DHCP pozwalający na pobranie adresu IP z serwera DHCP (wymagany jest wówczas działający serwer DHCP). W przypadku korzystania z serwera DHCP należy upewnić się co do długości okresu dzierżawy adresu IP, jego powiązania z adresem MAC kamery IP w celu uniknięcia zmiany lub utraty adresu IP w czasie pracy urządzenia lub chwilowej awarii sieci / serwera DHCP. Należy pamiętać że po zmianie adresu IP kamera zostanie zresetowana i trzeba wpisać nowy adres w przeglądarce internetowej. Po konfiguracji ustawień sieciowych pozwalających na bezkonfliktową pracę urządzenia, kamerę IP możemy podłączyć do sieci docelowej.

POŁĄCZENIA SIECIOWE ZA POMOCĄ PRZEGLĄDARKI WWW

3 POŁĄCZENIA SIECIOWE ZA POMOCĄ PRZEGLĄDARKI WWW

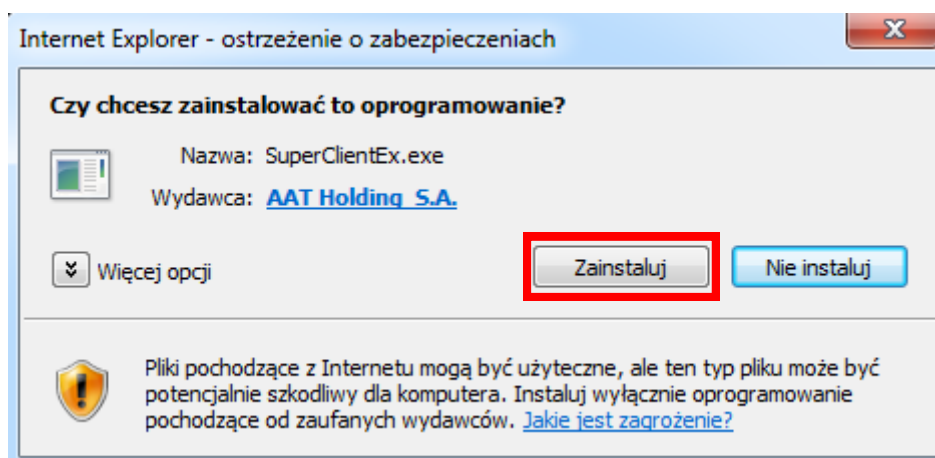
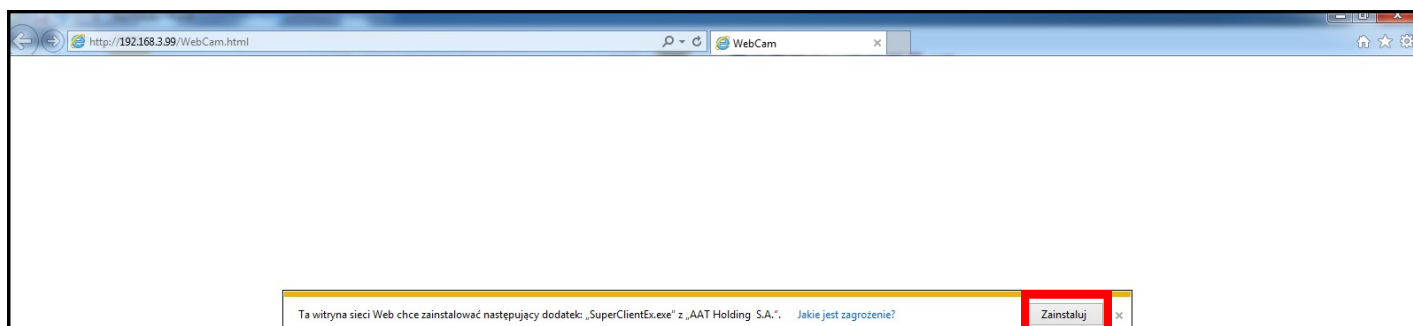
3.1. Zalecana konfiguracja komputera PC do połączeń przez przeglądarkę WWW

Poniższe wymagania dotyczą połączenia z kamerą IP przy założeniu płynnego wyświetlania obrazu wideo w rozdzielczości 2592 x 1944 dla 30kl/s.

1. Procesor **Intel Core i3 3 GHz** lub wyższy
2. Pamięć **RAM min. 4 GB**
3. Karta grafiki **NVIDIA GeForce 512MB** pamięci RAM lub odpowiednik.
4. System operacyjny **Windows 7 / 8 / 8.1 / 10**
5. Karta sieciowa **10/100/1000 Mb/s**

3.2. Połączenie sieciowe z kamerą IP za pomocą przeglądarki WWW

W pasku adresu przeglądarki WWW należy wpisać adres IP kamery. Jeśli podany adres jest prawidłowy i docelowe urządzenie jest w danej chwili osiągalne, przed pierwszym logowaniem należy zaakceptować i zainstalować dodatek SuperClientEx.



POŁĄCZENIA SIECIOWE ZA POMOCĄ PRZEGLĄDARKI WWW

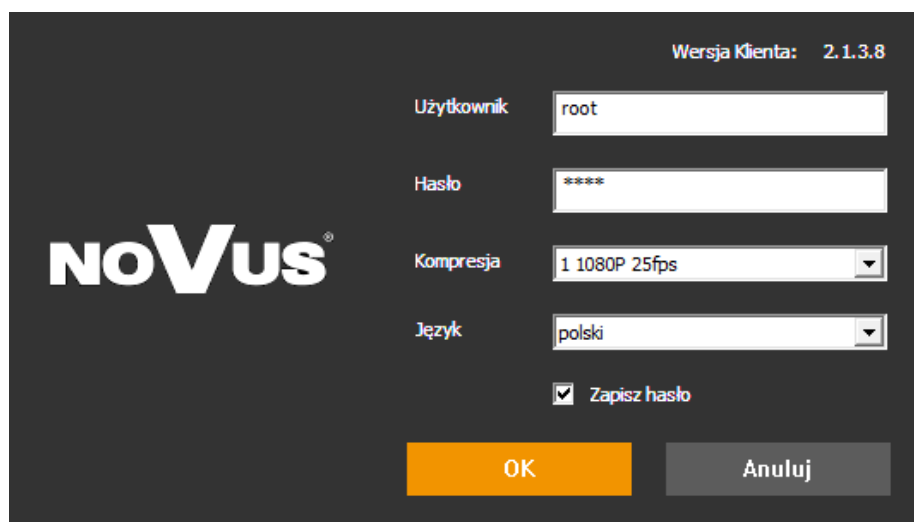
Jeżeli dla przeglądarki Internet Explorer instalacja przeprowadzona w ten sposób się nie powiedzie należy zmienić ustawienia zabezpieczeń przeglądarki. Aby to zrobić należy w przeglądarce Internet Explorer wybrać: *Narzędzia > Opcje internetowe > Zabezpieczenia > Poziom niestandardowy* i następnie zmienić:

- Pobieranie niepodpisanych formantów ActiveX - należy ustawić Włącz lub Monituj
- Inicjowanie i wykonywanie skryptów formantów ActiveX niezaznaczonych jako bezpieczne do wykonywania - należy ustawić Włącz lub Monituj

Można również dodać adres IP kamer do strefy *Zaufane witryny* i ustawić dla tej strefy niski poziom zabezpieczeń.

Dodatkowo w przypadku pracy w systemie Windows 7 / 8 / 8.1 / 10 możliwe jest zablokowanie apletu ActiveX przez Windows Defender i Kontrolę konta użytkownika. W takim przypadku należy zezwolić na uruchamianie dodatku lub po prostu wyłączyć działanie blokujących aplikacji.

Po zainstalowaniu dodatku możliwe będzie zalogowanie się do kamery. Domyślny użytkownik to **root**, a hasło **pass**. Ze względów bezpieczeństwa zaleca się zmianę domyślnych wartości. Nową nazwę użytkownika i hasło należy zapamiętać lub zapisać w bezpiecznym miejscu.



Wersja Klienta: 2.1.3.8

Użytkownik: root

Hasło: ****

Kompresja: 1 1080P 25fps

Język: polski

Zapisz hasło

OK Anuluj



INTERFEJS WWW - PRACA Z KAMERA

4. INTERFEJS WWW - PRACA Z KAMERA

4.1. Widok zdalnego podglądu








1. Detekcja ruchu /Alarm

-  Po wykryciu ruchu ikona zmienia kolor z białego na czerwony.
-  Po wystąpieniu alarmu ikona zmienia kolor z białego na czerwony






2. Ustawienia płynności wyświetlania

Aby uzyskać płynny podgląd obrazu przy połączeniu sieciowym słabej jakości można ustawić bufor obrazu w zakresie 0-4s.

3. Ustawienia rozmiaru obrazu

-  Dopasuj rozmiar
-  Aktualny rozmiar
-  Przybliż (zoom cyfrowy)
-  Oddal (zoom cyfrowy)
-  Pełny ekran

4. Lokalne nagrywanie

-  Rozpocznij nagrywanie
-  Zrób zdjęcie
-  Włącz/Wyłącz mikrofon
-  Odtwarzanie
-  Włącz / wyłącz audio

5. PTZ

Możliwość zdalnej konfiguracji zoomem i ostrością kamery (sterowanie obiektywem)

POŁĄCZENIA ELEKTRYCZNE I ZŁĄCZA AKCESORIÓW

5. POŁĄCZENIA ELEKTRYCZNE I ZŁĄCZA AKCESORIÓW

5.1. Podłączenie zasilania kamery

Kamera może być zasilana przez zewnętrzny zasilacz o parametrach zgodnych z zasilaniem kamery lub przez gniazdo sieciowe RJ45 przy wykorzystaniu technologii PoE (IEEE 802.3af). Do zasilenia kamery poprzez PoE należy użyć przełącznika sieciowego lub zasilacza PoE zgodnego ze standardem IEEE 802.3af.

Informacja:

Zasilacz zewnętrzny nie wchodzi w skład zestawu, należy się w niego zaopatrzyć we własnym zakresie.

UWAGA:

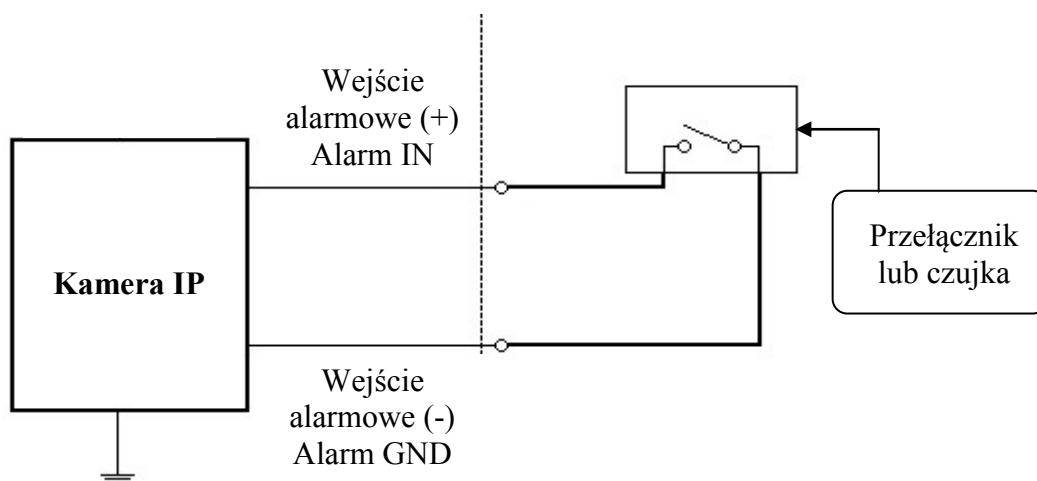
W celu ochrony kamery przed uszkodzeniem zalecane jest zastosowanie zabezpieczeń przepięciowych. Awarie powstałe w wyniku przepięć nie podlegają naprawie gwarancyjnej.

5.2. Sterowanie kamerą - RS-485

Funkcja niedostępna.

5.3. Opis podłączenia wejść i wyjść alarmowych.

Wejście alarmowe



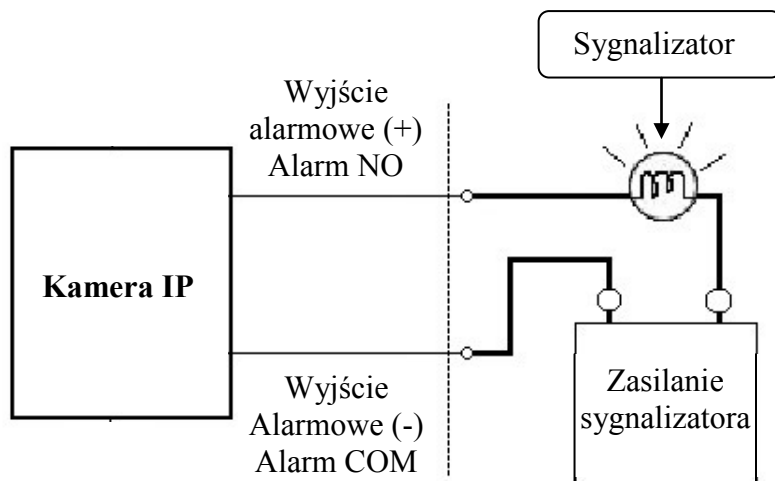
- Typowe połączenia wejścia alarmowego

POŁĄCZENIA ELEKTRYCZNE I ZŁĄCZA AKCESORIÓW

Wyjście alarmowe

Wyjście alarmowe kamery jest wyjściem przekaźnikowym.

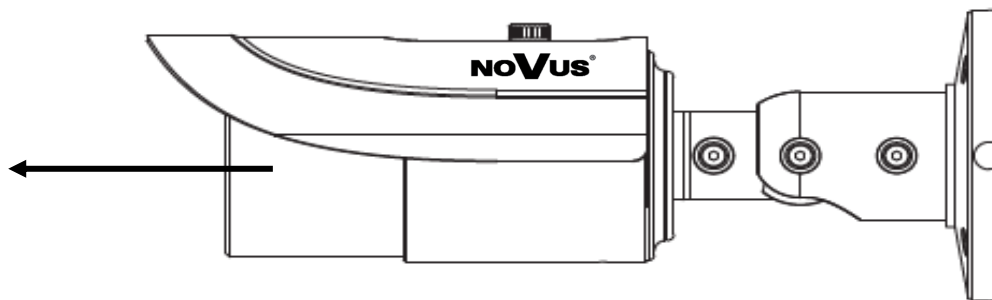
- Typowe połączenia przekaźnikowego wyjścia alarmowego.



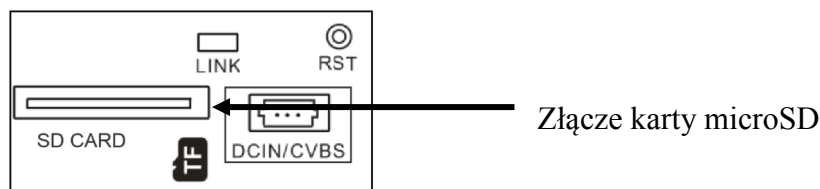
5.4. Instalacja karty SD

Kamera obsługuje karty SD/SDHC o pojemności do 64GB. W celu prawidłowej instalacji karty należy postępować zgodnie z instrukcją:

- Wyłączyć zasilanie kamery
- Odkręcić przednią osłonę kamery w celu dostania się do wewnętrznych złączy.



- Zainstalować kartę SD w gnieździe znajdującym się przy podstawie kamery zgodnie z rysunkiem



- Zakręcić przednią osłonę kamery
- Włączyć kamerę
- Sprawdzić poprawność zainstalowania karty przez zweryfikowanie jej rozmiaru w zakładce „System -> Karta SD”

PRZYWRACANIE USTAWIENÍ FABRYCZNYCH KAMERY

6. PRZYWRACANIE USTAWIENÍ FABRYCZNYCH KAMERY

Kamery IP firmy NOVUS umożliwiają resetowanie ustawień:

- programowo (z poziomu przeglądarki)
- sprzętowo (przy użyciu przycisku reset)

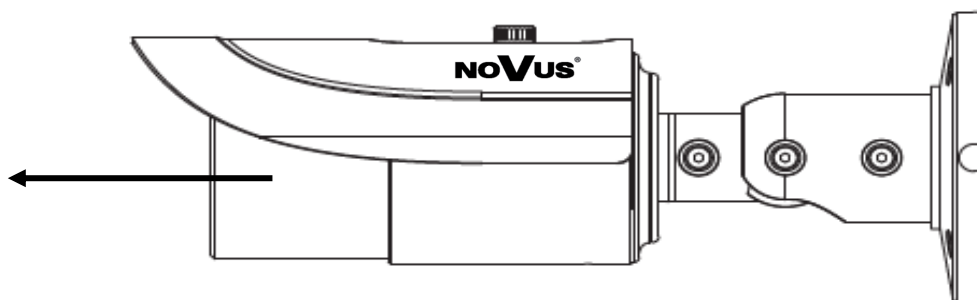
6.1. Programowe przywracanie ustawień fabrycznych kamery IP

Przywracanie ustawień fabrycznych kamery IP powoduje przywrócenie wszystkich domyślnych ustawień kamery. Kamera zostanie ponownie uruchomiona po ok. 30 sekundach. Opcja do programowego przywrócenia ustawień fabrycznych znajduje się w zakładce „Kopia zapasowana, ustawienia fabryczne”.

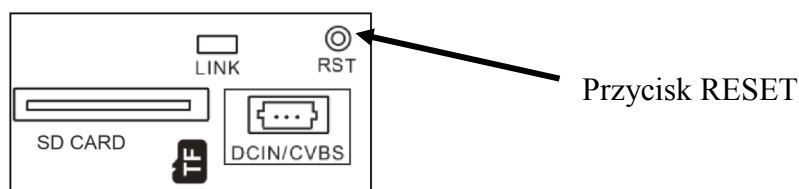
6.2. Przywracanie ustawień fabrycznych kamery IP (sprzętowe)

W celu sprzętowego przywrócenia ustawień fabrycznych kamery IP należy postępować zgodnie z instrukcją:

- Odkręcić przednią osłonę w celu dostania się do wewnętrznych złączy kamery



- Nacisnąć przycisk *RESET* i przytrzymać przez 10 sekund



- Zwolnić przycisk
- Zakręcić przednią osłonę kamery.
- Zalogować się ponownie po ok. 30 sekundach używając domyślnego adresu IP (<http://192.168.1.200>), nazwy użytkownika (root) i hasła (pass)

noVus[®]

AAT Holding S.A., ul. Puławska 431, 02-801 Warszawa, Polska
tel.: 22 546 07 00, faks: 22 546 07 59
www.novuscctv.com

2016-03-31 JB, MK