

Quick start guide



NVIP-6F-6501

noVus[®]

CAUTIONS AND WARNINGS

THE PRODUCT MEETS THE REQUIREMENTS CONTAINED IN THE FOLLOWING DIRECTIVES:



DIRECTIVE 2014/30/EU OF THE EUROPEAN PARLIMENT AND OF THE COUNCIL of 26 February 2014 on the harmonization of the laws of the Member States relating to electromagnetic compatibility (OJ L 96, 29.3.2014, p. 79–106, with changes).



DIRECTIVE 2012/19/EU OF THE EUROPEAN PARLIAMENT AND OF THE COUNCIL of 4 July 2012 on waste electrical and electronic equipment (WEEE) (OJ L 197, 24.7.2012, p. 38–71, with changes).



DIRECTIVE 2011/65/EU OF THE EUROPEAN PARLIAMENT AND OF THE COUNCIL of 8 June 2011 on the restriction of the use of certain hazardous substances in electrical and electronic equipment (OJ L 174, 1.7.2011, p. 88–110, with changes).

COMMISSION DELEGATED DIRECTIVE (EU) 2015/863 of 31 March 2015 amending Annex II to Directive 2011/65/EU of the European Parliament and of the Council as regards the list of restricted substances.

DIRECTIVE (EU) 2017/2102 OF THE EUROPEAN PARLIAMENT AND OF THE COUNCIL of 15 November 2017 amending Directive 2011/65/EU on the restriction of the use of certain hazardous substances in electrical and electronic equipment.

Exclusion of liability in the event of damage to data contained on disks or other devices or media:

The manufacturer is not liable in the event of damage or loss of data contained on disks or other devices or carriers during the operation of the Product.

Obligation to consult the Manufacturer before performing any action not provided for in the instruction manual or other documents:

Before performing an action that is not provided for a given Product in the user manual, other documents attached to the Product or does not result from the normal purpose of the Product, it is necessary, under pain of exclusion of the Manufacturer's liability for the consequences of such action, to contact the Manufacturer.



Pictures in this publication showing camera views can be simulations. Actual camera images may vary depending on the type, model, settings, observation area, or environmental conditions.

SAFETY REQUIREMENTS



Before using the device, read the instruction manual in order to ensure proper and safe operation of the device. Failure to comply with the instructions may lead to damage to the device and/or safety violations.



The user may not repair the device himself. Repairs and maintenance of the device may only be performed by qualified service personnel.



The device, which is an element of a professional CCTV system used for supervision and control, is not intended for self-assembly in households by persons without specialist knowledge.

eng

1. Please read this manual carefully before installation and operation;
2. Please keep this manual for the lifespan of the device in case referring to the contents of this manual is necessary;
3. It is necessary to comply with the safety requirements described in the manual, as they have a direct impact on the safety of users and the durability and reliability of the device;
4. All activities performed by installers and users must be carried out as described in the manual;
5. The device should be disconnected from power sources during maintenance procedures;
6. It is not allowed to use any additional devices, components or accessories not provided for and not recommended by the manufacturer;
7. Do not install this device in places where proper ventilation cannot be provided (e.g. closed cabinets, etc.), as this may cause heat build-up and may result in damage;
8. Do not place the device on unstable surfaces. Installation must be carried out by qualified personnel with appropriate permissions in accordance with the recommendations provided in this manual;
9. The device may be powered only from sources with parameters compliant with those indicated by the manufacturer in the technical data;



As the product is constantly improved and optimised, some of its parameters and functions may have changed from those described in this manual. If in doubt, please refer to the user manual at www.novuscctv.com

The user manual located at www.novuscctv.com is always the most up-to-date version.

FOREWORD INFORMATION

1. TECHNICAL SPECIFICATION

IMAGE	
Image Sensor	6 MPX CMOS sensor 1/2.5" SmartSens
Min. Illumination	0.01 lx/F2.0 - color mode, 0 lx (IR on) - B/W mode
S/N Ratio	> 50 dB (AGC off)
Electronic Shutter	auto: 1/3 s ~ 1/100000 s
Digital Slow Shutter (DSS)	up to 1/3 s
Wide Dynamic Range (WDR)	yes 120dB
Digital Noise Reduction (DNR)	3D
Defog Function (F-DNR)	yes
Highlight Compensation (HLC)	yes
Back Light Compensation (BLC)	yes
Reduction of image flicker (Antiflicker)	yes
LENS	
Lens Type	fisheye, f=1.65 mm/F2.0
DAY/NIGHT	
Switching Type	mechanical IR cut filter
Switching Mode	auto, manual, time
Switching Level Adjustment	yes
Switching Delay	2 ~ 6000 s
Visible Light Sensor	yes
NETWORK	
Stream Resolution	3200 x 1800 (QHD+), 2160 x 2160, 1920 x 1080 (Full HD), 1440 x 1440, 1280 x 720 (HD), 960 x 960, 480 x 480
Frame Rate	<u>Mode 1: Fisheye + panoramic view + 3 PTZ views</u> Fisheye: 30 fps for: 2160 x 2160, 1440 x 1440 Panoramic view: 30 fps for: 3200x1800, 1920x1080 3PTZ: 15 fps for: 1280 x 720 (for each view) <u>Mode 2: Fisheye + 4 PTZ views</u> Fisheye: 30 fps for: 2160 x 2160, 1440 x 1440 4PTZ views: 15 fps for: 1280 x 720 (for each view) <u>Mode 3: Fisheye + 4 PTZ fusion views</u> Fisheye: 30 fps for: 2160 x 2160, 1440 x 1440 4PTZ fusion views: 20 fps for: 2560 x 1440
Multistreaming Mode	2 streams (main stream, sub stream)
Video/Audio Compression	H.264, H.264+, H.265, H.265+, MJPEG/G.711
Number of Simultaneous Connections	max. 10 connections, (max. 20 streams in total)
Bandwidth	70 Mb/s in total
Network Protocols Support	HTTP, TCP/IP, IPv4/v6, UDP, HTTPS, FTP, DHCP, DNS, DDNS, NTP, RTSP, RTP, UPnP, SNMP, QoS, IEEE 802.1X, PPPoE, SMTP, RTCP, P2P, HTML5, RTMP

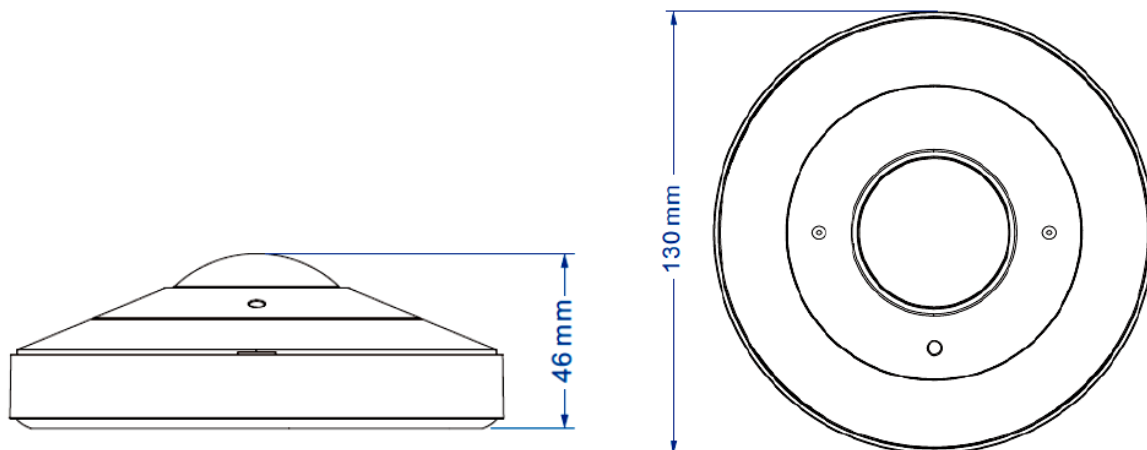
FOREWORD INFORMATION

Camera Configuration	from Edge, Firefox, Chrome, Opera browsers languages: Polish, English, Russian, and others
Compatible Software	NOVUS MANAGEMENT SYSTEM VSS, NOVUS MANAGEMENT SYSTEM AC, N Control 6000
Mobile applications	N-VID6 (iPhone, Android)
OTHER FUNCTIONS	
Privacy Zones	4 video mask type: single color
Motion Detection	yes
Region of interest (ROI)	8
Video Content Analysis (VCA)	line cross, zone entrance, zone exit, object counting, multi loiter, heat map, intrusion detection image analysis functions are available when the "Ceiling" option is selected in the "Installation Method" menu
Image Processing	"fisheye" view, panoramic view, "fisheye" view + 3 PTZ views, panoramic view + 3 PTZ views, 4 PTZ views, 180° image rotation, sharpening, mirror effect
Prealarm/Postalarm	up to 6 s/up to 120 s
System Reaction to Alarm Events	e-mail with attachment, saving file on FTP server, saving file on SD card, alarm output activation
Restoring default settings	via web browser, using reset button, via NMS IPTool software
IR LED	
LED Number	4
Range	20 m
Smart IR	yes (hardware support)
INTERFACES	
Video Output	BNC, 1.0 Vp-p, 75 Ohm
Audio Input/Output	1 x Jack (3.5 mm)/1 x Jack (3.5 mm) built-in two microphones
Alarm Input/Output	1 (NO/NC)/1 relay type (max. 12VDC/300mA)
RS-485	yes
Network Interface	1 x Ethernet - RJ-45 interface, 10/100 Mbit/s
Memory Card Slot	microSD - capacity up to 256GB
INSTALLATION PARAMETERS	
Dimensions (mm)	130 (Φ) x 46 (H)
Weight	0.55 kg
Degree of Protection	IP 67 (details in the user's manual on page 9)
Enclosure	vandalproof IK10 impact rating aluminium, white
Power Supply	12 VDC, PoE (IEEE 802.3af, Class 3)
Power Consumption	5 W, 10 W (IR illuminator on)
Operating Temperature	-30°C ~ 60°C
Humidity	max. 95%, relative (non-condensing)

eng

FOREWORD INFORMATION

1.1. Camera dimensions



1.2. Package contents

After opening the package make sure that the following elements are inside:

- IP camera
- Accessories bag
- Short version of user's manual

If any of this elements has been damaged during transport, pack all the elements back into the original box and contact your supplier for further assistance.

Caution:

If the device was brought from a room with a lower temperature, wait until it reaches the temperature of the room in which it is to work. Do not switch the device immediately after bringing from a cooler place. The condensation of water vapor can cause short circuits and consequently damage the device.

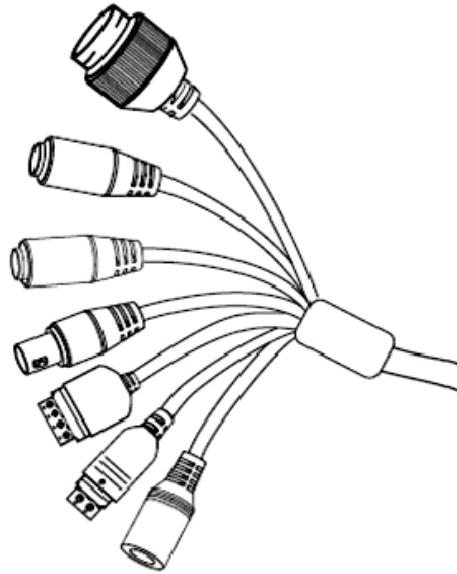
START-UP AND INITIAL CONFIGURATION

2.START-UP AND INITIAL CONFIGURATION

Before starting the device familiarize yourself with the description and the role of particular inputs, outputs and adjusting elements that the device is equipped with.

2.1. Description of connectors

1. 100 Mbps Ethernet port
2. Audio line out
3. Audio line in
4. BNC out
5. Alarm input/output connector
6. RS-485 connector
7. Power supply connector



eng

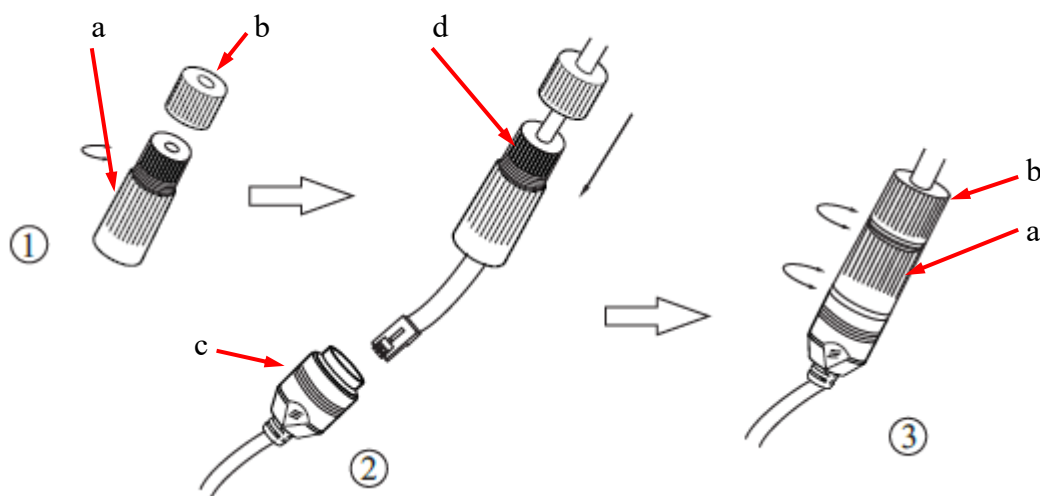
No	Connector Type	Function	Description
1	RJ45 socket	Port Ethernet	100Mbps Ethernet connector
2	3.5mm Jack socket socket designation: "HP"	Audio line out	For connecting external audio devices
3	3.5mm Jack socket socket designation: "MIC"	Audio line in	For connecting external audio devices
4	BNC plug	Video output	Analog video signal output
5	ARK type screw terminal block	1. Alarm output OUTPUT	Alarm output, NO (relay, 12VDC/24VAC 0.3A max)
		2. Alarm output COM	
		3. Alarm input GND	Alarm input, configurable: NC or NO. Activating the input is done by applying a voltage of 5~12 VDC.
		4. Alarm input INPUT	
6	ARK type screw terminal block	A - RS-485 port A	RS-485 control input
		B - RS-485 port B	
7	2.5/5.5 socket socket designation: "POWER"	Power connector	Power supply, 12VDC

START-UP AND INITIAL CONFIGURATION

2.2. Connecting ethernet cable

To ensure secure connection of the network cable, follow the instructions below:

1. Unscrew the nut (b) from the connector cover (a), put the sealing ring on the socket (c)
2. Route the network cable through parts (a) and (b). Insert the RJ-45 plug into the socket (c)
3. Screw the connector cover (a) onto the socket (c). Press the cable seal (d) into the upper part of the connector cover (a) as far as it will go - the seal has a cut enabling it to be put on the cable.
4. Tighten the nut (b) as far as it will go.



2.3. Power supply connection

The camera can be powered from AC or DC power supplies available on the market, provided that it meets the technical requirements of the camera. The power supply must provide a stabilized DC voltage of 24V, must allow for the consumption of at least 15W of power, and must have a DC 2.5/5.5 cylindrical power plug with the correct polarity of the contacts:



It is also possible to power the camera via the RJ45 network socket, using PoE technology (IEEE 802.3af, Class 3).

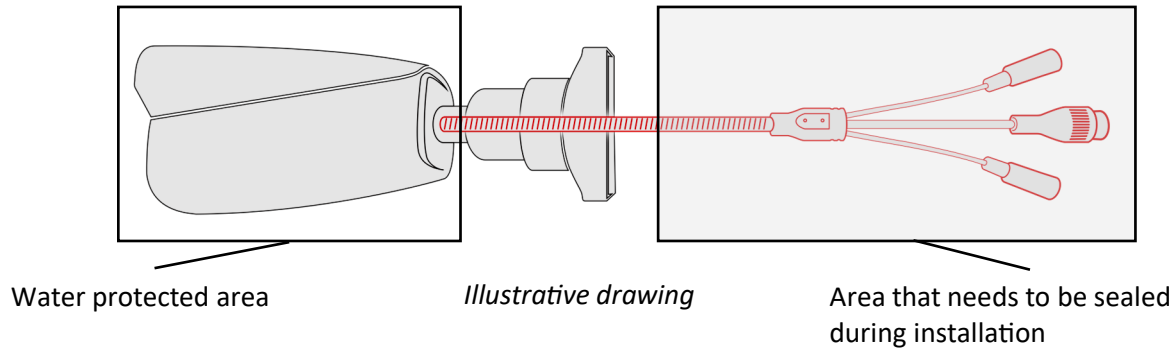
Caution!

Do not use power supplies and POE adapters that do not comply with the IEEE 802.3af standard, the so-called "passive POE" power supplies. Damage resulting from the use of an unsuitable adapter is not covered by the warranty!

START-UP AND INITIAL CONFIGURATION

2.4. Protection against water ingress

The declared degree of protection applies only to camera housing and the location where the connection cable enters the inside of the housing.



This means that the connection cable, including sockets, connectors, switches, buttons, and other elements on this cable, as well as other camera equipment/construction elements (such as hoods, brackets, supports, etc.), are not waterproof. It is the responsibility of the person installing the camera to protect the elements that require it (and in any case the connection cable) against moisture.

The manufacturer is not responsible for any damages or camera malfunctions resulting from failure to comply with the above obligation, which also means that they are not covered by the warranty repairs.

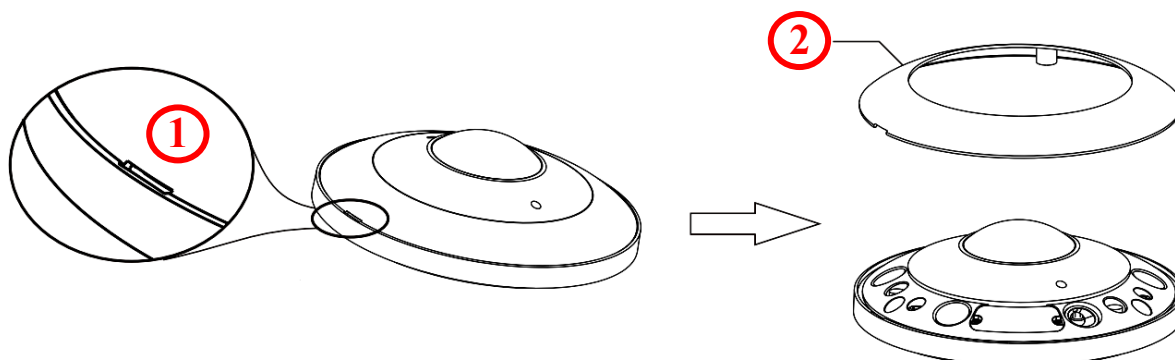
The RJ-45 socket cover included in the camera accessories (depending on the version/model) is not a water protection element. Its purpose is to protect against the ingress of dust and atmospheric moisture into the socket and prevent accidental disconnections by mechanically stabilizing the network plug in the RJ-45 socket.

START-UP AND INITIAL CONFIGURATION

2.5. Camera mounting

To mount the camera, follow the procedure below:

1. Place the mounting template on the surface on which the camera is to be mounted and mark the drilling points.
2. Drill holes in the marked places and insert expansion plugs.
3. Drill a hole for the wires at the connection point (if necessary).
4. Using the cutout (1), remove the magnetic cover (2) from the camera housing.
5. Pass the electrical cables through and secure the camera with mounting screws. During installation, make sure that the arrow embossed in the camera housing, pointing to the top of the image, is directed in such a direction as to ensure comfortable observation and enable orientation in the observed space.
6. Install the magnetic cover.



Caution!

Pay particular attention to the surface to which is attached the camera to have the appropriate capacity.

Caution!

It is recommended to install the camera using one of the dedicated adapters. The use of an adapter allows for an aesthetic camera installation, facilitates later servicing and provides a water-protected space for hiding cables.



Adapters are additional equipment, to be purchased separately. The characteristics and functions of the adapter (such as mounting method, space for cables, etc.) depend on its model. The list of dedicated adapters and their specifications can be found on the camera's catalog card under the "Related Products" tab

START-UP AND INITIAL CONFIGURATION

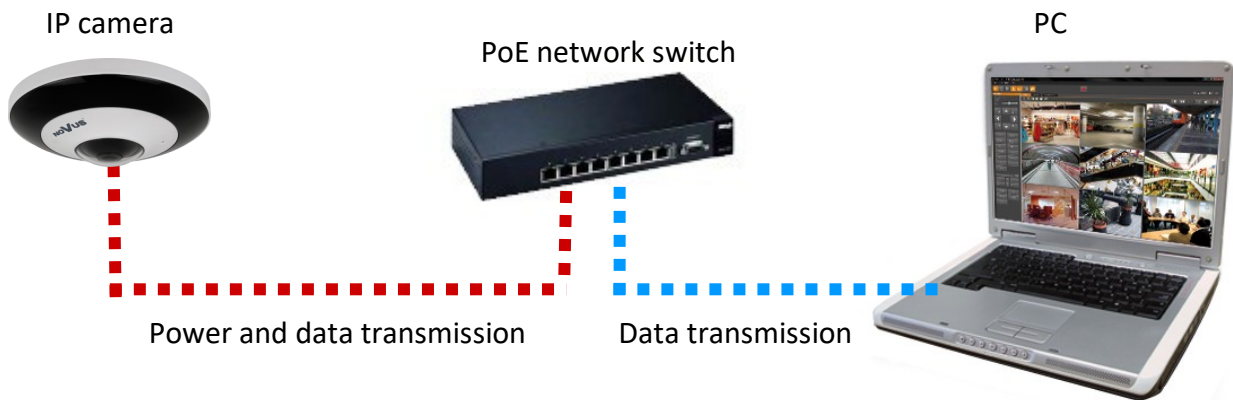
2.6. Starting the camera

To start the camera, connect the Ethernet cable to the RJ45 network socket of the IP camera, and the other end to the network switch. As a power source, it is possible to use an external stabilized power supply with parameters that meet the requirements of the camera or PoE network switch.

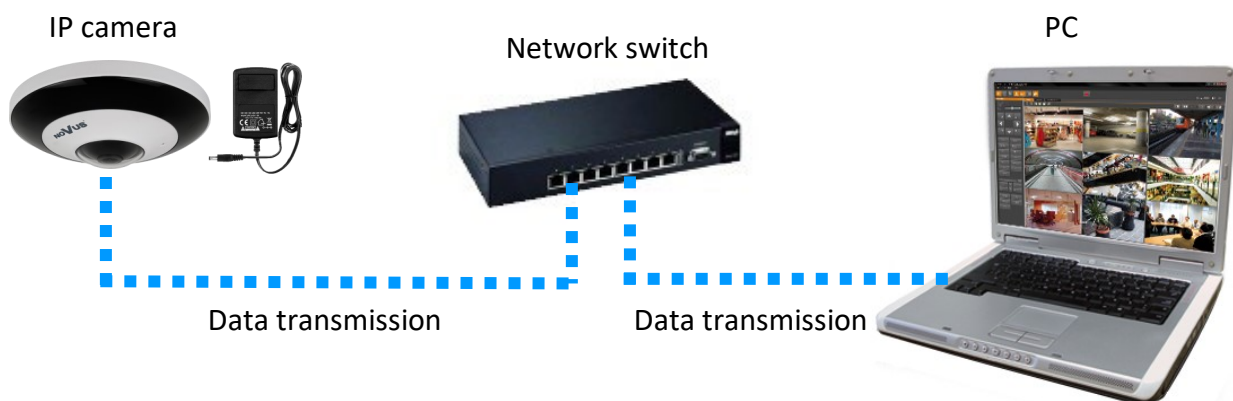
The recommended method of starting and configuring the IP camera is to connect it to a PC or laptop in a dedicated network switch to which no other devices are connected. In case of power supply from an external power supply, it is enough to use any network switch or a cable connected directly to the computer. For network configuration data (IP address, gateway, netmask etc.), please contact the administrator of the network in which the device is to work.

eng

- Connection using network switch with PoE support

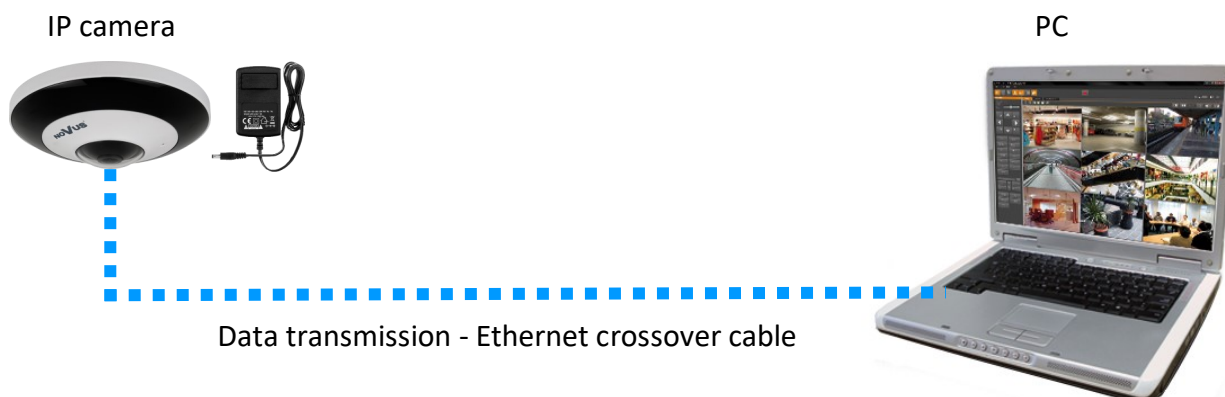


- Connection using external power supply and network switch



START-UP AND INITIAL CONFIGURATION

- Connection using the camera's external power supply and an Ethernet crossover cable



2.7. Parameter configuration using a web browser

The default network settings for camera are:

1. IP address= **192.168.1.200**
2. Network mask - **255.255.255.0**
3. Gateway - **192.168.1.1**
4. User name - **root**
5. Password - **pass**

Knowing the camera's IP address you need to appropriately set PC IP address, so the two devices can operate in one network subnet (e.g. for IP 192.168.1.1, appropriate address for the camera ranges from 192.168.1.2 to 192.168.1.254, for example 192.168.1.60). It is not allowed to set the same addresses for camera and PC computer

You can either set a network configuration (IP address, gateway, net mask, etc.) of NOVUS IP camera yourself or select DHCP mode (DHCP server is required in this method in target network) by using web browser or by NMS software. When you use DHCP server check IP address lease and its linking with camera MAC address to avoid changing or losing IP address during device operation or network/DHCP server breakdown. You have to remember to use a new camera IP address after changing network parameters.

After network setting configuration has been done, the camera can be connected to a target network.

START-UP AND INITIAL CONFIGURATION

2.8. Security recommendations for network architecture and configuration

WARNING!

Below are shown security recommendations for network architecture and configuration of CCTV systems that are connected to the Internet to reduce the risk of unauthorized interference with the system by a third party.

1. Absolutely change the default passwords and user names (if the device gives this possibility) of all applied network devices (recorders, cameras, routers, network switches, etc.) to the severely complexity password. Use lowercase and uppercase letters, numbers, and special characters if there is such possibility.
2. Depending on the available functionality in the order to restrict access to the used network devices at the administrator account level, it is recommended to configure the users accounts accordingly.
3. Do not use DMZ function (Demilitarized zone) in your router. Using that function you open the access to recorder system from the Internet on all ports, which gives possibility for an unauthorized interference with the system.

Instead of DMZ use port forwarding redirect only the ports which are necessary for the performance of the connection (detailed information about ports of communication in different models of recorders, cameras, etc. can be found in the operating instructions).

4. Use routers with firewall function and make sure it is enabled and properly configured.
5. It is recommended to change the default network communication port numbers of used devices if there is such possibility.
6. If used network devices has a UPnP feature and it is not used, turn it off.
7. If used network devices has a P2P feature and it is not used, turn it off.
8. If used network devices support HTTPS protocol for connection, it is recommended to use it.
9. If used network devices support IP filtering for authorized connections function, it is recommended to use it.
10. If used recorder has two network interfaces it is recommended to use both of them to physically separate network for cameras and network for Internet connection. The only device in the system, accessible from Internet will be recorder - there will be no physically access directly to any camera.

NETWORK CONNECTION USING WEB BROWSER

3. NETWORK CONNECTION UTILIZING WEB BROWSER

3.1. Recommended PC specification for web browser connections

Requirements below apply to connection with an IP camera, assuming smooth image display in 2160 x 2160 pixels resolution and 30 fps.

1. CPU Intel Core i7 3 GHz or better
2. RAM Memory min. 6 GB
3. Graphic card NVIDIA GeForce 1 GB or equivalent
4. OS Windows 10/11
5. Web browser installed
6. Network card 100/1000 Mb/s

3.2. Connection with camera via web browser

Enter the camera's IP address in the address bar of your web browser. Once connected, a privacy statement window will appear, which you must accept by checking the checkbox and pressing the "Read" button. Then the camera will display the time zone configuration windows, and then the activation window, where you define the administrator password (and the password for the ONVIF account). The next window is a window for selecting security questions, allowing you to regain access to the camera if you forget the administrator password, without having to reset the device. After completing these steps, the camera will restart and display the login screen, where you must enter the administrator account name (root by default) and the set password.

If the Edge browser is switched to Internet Explorer mode, information may be displayed about the need to install the NetAIIPCamera add-on, which is necessary for the correct display of the menu and camera image:

The plugin is not installed or the version needs to be updated, please click [Here](#) to download and install. Before installation, please close your browser.

Click on the "Here" link to start downloading the add-on, then use your browser dialog window to install it. In the window, click the *Run* button, and then follow the instructions of the installer.



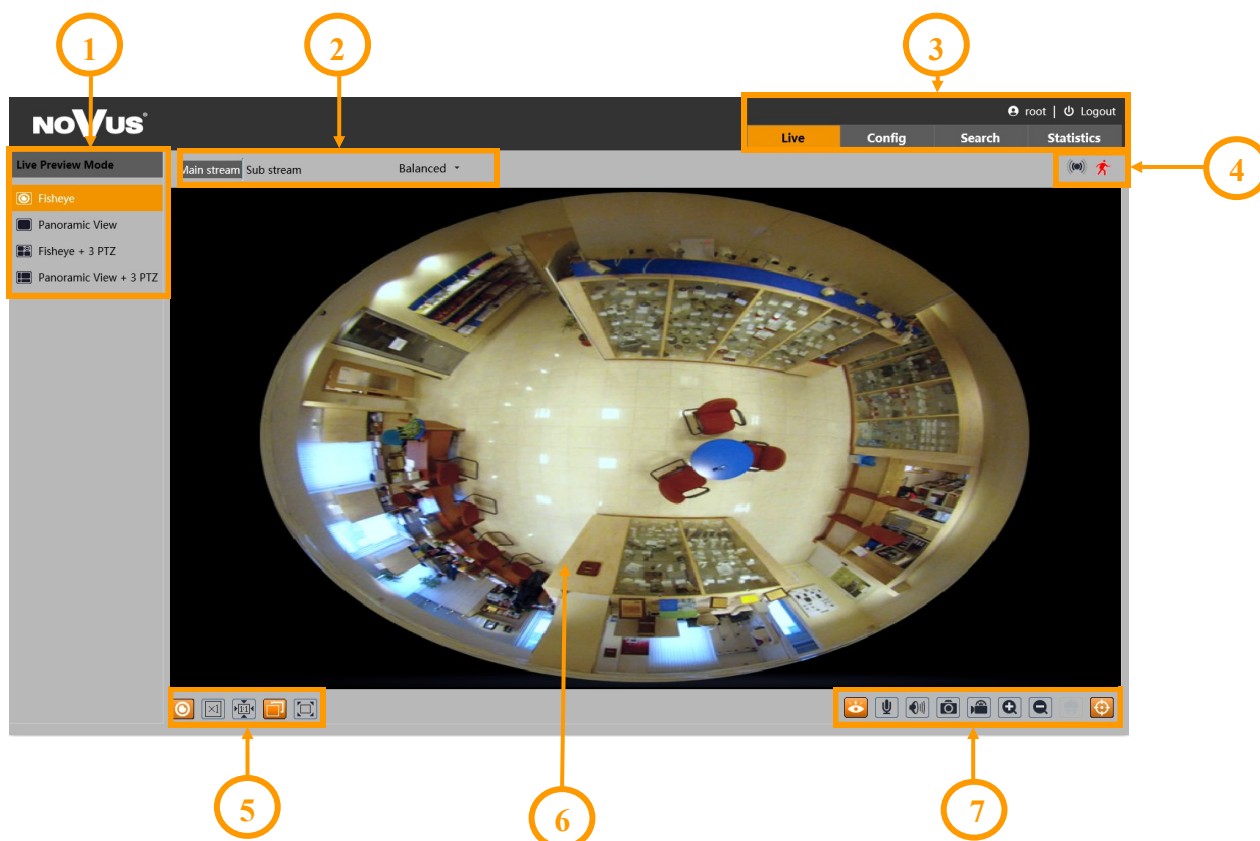
When using a browser that uses the HTML5 protocol (like Edge in HTML5 mode, Firefox, Chrome, Opera, Safari) there is no need to install any add-ons and after logging in, the image will be displayed in the live preview window.

4. USING AND CONFIGURING

4.1. The Remote Preview Interface



The view below shows the remote view window displayed in Edge browser switched to Internet Explorer mode, with the "NetAIIPCamera" add-on installed. When connecting to the camera from browsers that use HTML5, some menu items and/or options may be unavailable or limited. This is not a defect, but results from the specificity of the HTML5 standard.



eng

1. Select the image display mode
2. Selection of the stream to be displayed in the preview window and set the buffer size of the camera.
3. Camera operation mode selection and configuration buttons:
 - Live - enables the live stream preview
 - Config - displays the camera configuration panel
 - Search - displays the panel for searching and playing back recordings from the memory card
 - Statistics - displays the statistics window for the line crossing counting function
 - root - information about the logged in user
 - Logout - logs out of the camera

USING AND CONFIGURING

4. Alarm event icons display panel:



From left to right: leaving the area, entering the area, crossing the line, counting the line crossing, intrusion, heat map, crowd density detection, alarm input, motion detection.

5. Image adjusting buttons:



From left to right: enable/disable image display mode selection panel, original size, original aspect ratio, automatic window fit, full screen.

6. Live view window.

Double-clicking the left mouse button on the preview window turns the display of the image on and off in full screen.

7. Buttons for controlling camera functions:



From left to right: enables/disables live view, turns on two-way audio, turns on audio monitoring, takes a photo, enables/disables recording, digital zoom buttons, enables/disables the PTZ panel, enables/disables the display of image analysis lines

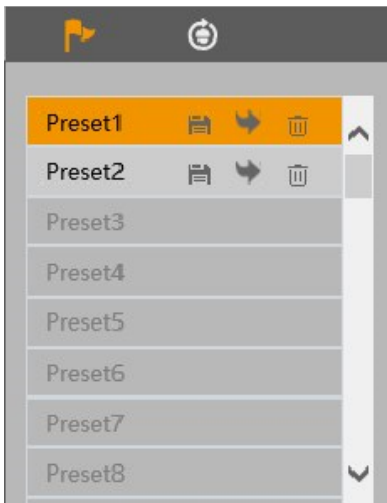
8. Digital PTZ panel functions

The screenshot shows a PTZ control panel with several callout boxes:




- PTZ control buttons:** Points to a grid of directional arrows (up, down, left, right) and a central square button.
- Digital zoom control buttons, from top: zoom-, auto scan, zoom+:** Points to three buttons: a minus sign, a circular arrow, and a plus sign.
- Adjusting the speed of PTZ digital movement:** Points to a horizontal slider with a central knob.
- Changing the type of the displayed list:** Points to two buttons: a flag icon and a circular arrow icon.
 - Flag icon - displays a list of presets
 - Circular arrow icon - displays a list of traces
- List of presets or traces:** Points to a vertical list of items labeled Preset1 through Preset7.

ELECTRIC CONNECTORS

Preset list options:



All available presets are displayed in the preset list. Saved (occupied) presets are shown in bold. There are icons for each preset to manage:



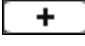


-
-  - saves the currently displayed view as a preset.. If there is already a preset stored in the selected position, it will be overwritten.
-  - calls up the selected preset
-  - removes the selected preset

eng

Cruise list options:

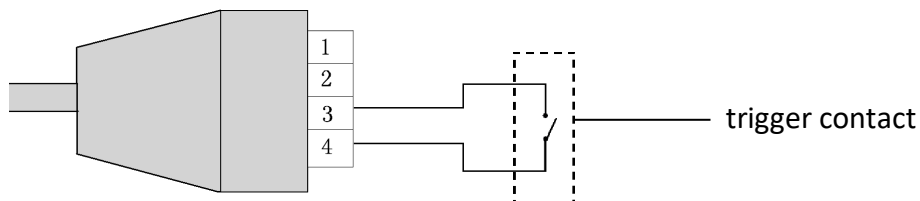


All available cruises are displayed in the cruise list. Saved (occupied) cruises are shown in bold. After selecting the selected cruise (if it is set), the control buttons will be activated:

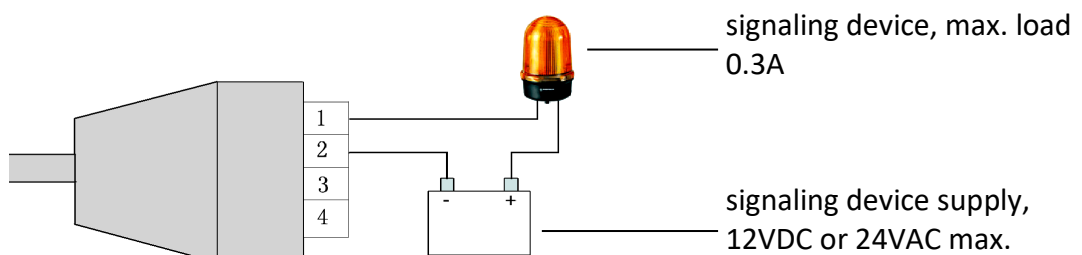
-
-  - start cruise
-  - stop cruise
-  - adds a new cruise
-  - cruise edit
-  - deletes the selected cruise

5. ELECTRICAL CONNECTIONS

5.1 Connecting the alarm input



5.2 Connecting the alarm output



RESTORING FACTORY DEFAULTS

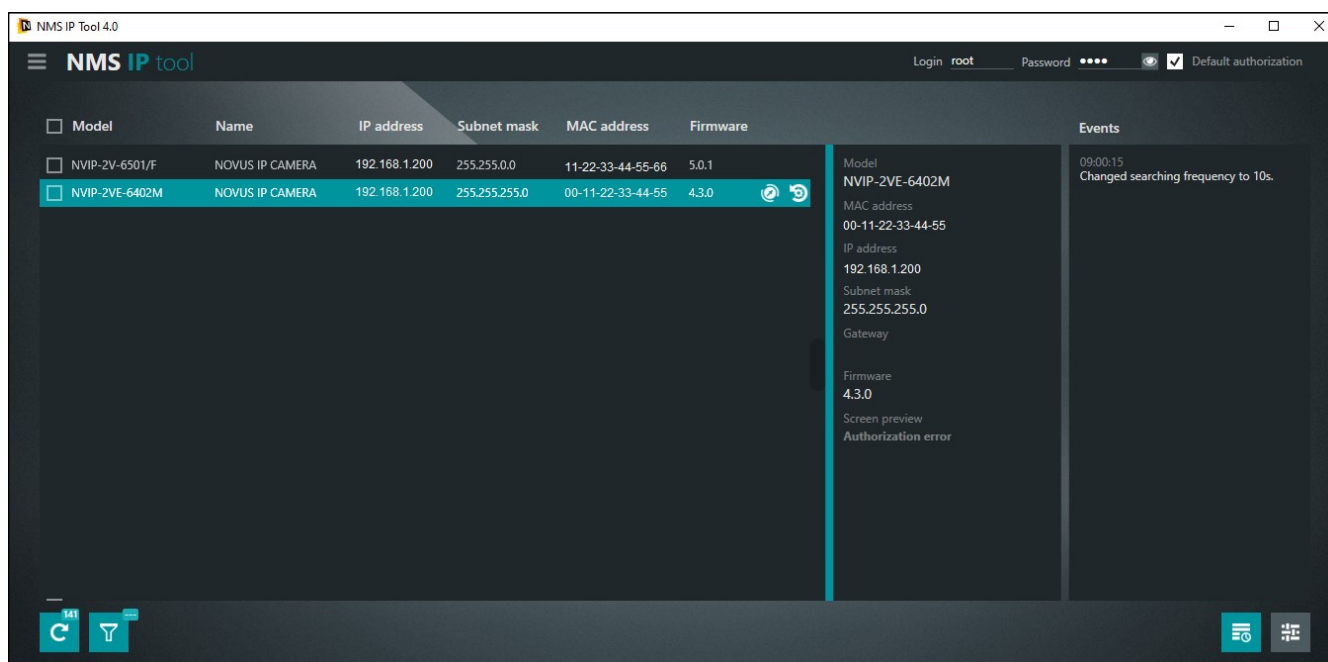
6. RESTORING FACTORY SETTINGS

6.1. Software factory reset

The factory reset function is located in the "Settings -> Maintenance -> Backup and Restore" menu. You can choose the "Restore default parameters" option, where selecting the selected "Keep" option allows you to keep the network settings, security configuration or image configuration unchanged. This option does not reset user passwords. The "Restore Factory Defaults" option completely resets all camera settings.

6.2. Software factory reset using the NMSiptool

Using NMSiptool, the user can restore factory settings. This is done by selecting a camera from the list, clicking on the factory reset icon and confirming it in the dialog box. Then, within 30 seconds of confirming, power off and reconnect the camera.



6.3. Hardware factory reset

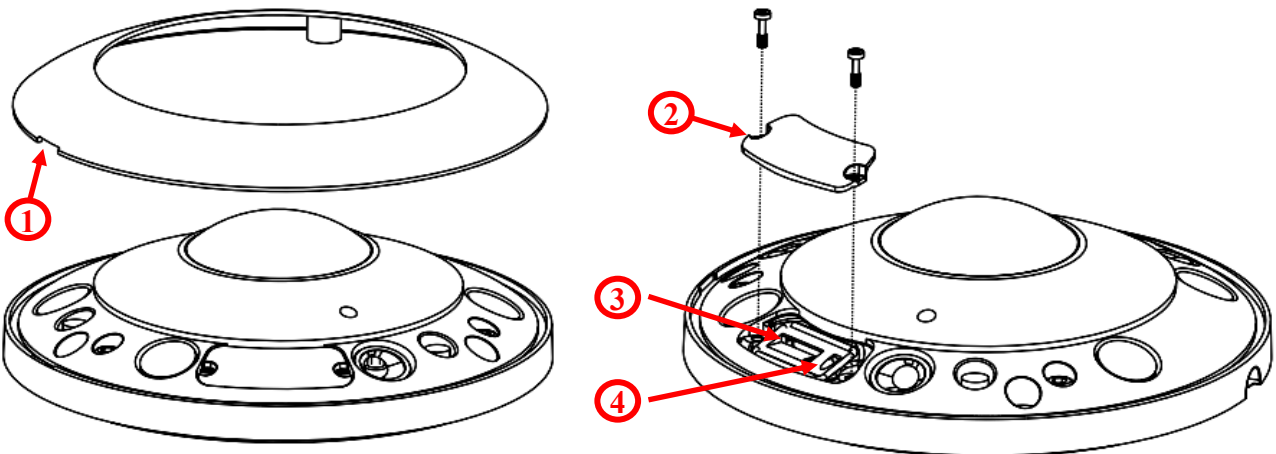
- To hardware restore the camera's factory settings, proceed as follows:
- Remove the magnetic cover **(1)** by gently levering it in the cutout
- Unscrew the two screws securing the cover **(2)**.
- Press the RESET button **(4)** and hold for approximately 10 seconds
- Release the button
- Install the cover **(2)** paying attention to the correct positioning of the gasket. Install the cover **(1)**.
- Log in again using the default IP address, username and password

INSTALLING THE SD CARD

7. INSTALLING THE SD CARD

To install the card:

- Turn off the camera's power
- Remove the magnetic cover **(1)** by gently levering it in the cutout
- Unscrew the two screws securing the cover **(2)**.
- Install the SD card in the slot **(3)**
- Install the cover **(2)** paying attention to the correct positioning of the gasket. Install the cover **(1)**.
- Turn on the camera
- Check that the card is installed correctly by verifying its size in the tab "Settings -> System -> Storage".



eng

noVus[®]

AAT SYSTEMY BEZPIECZEŃSTWA Sp. z o.o.

431 Puławska St., 02-801 Warsaw, Poland

tel.: +4822 546 0 546, kontakt@aat.pl

www.novuscctv.com

Skrócona instrukcja obsługi



NVIP-6F-6501

noVus[®]

UWAGI I OSTRZEŻENIA

PRODUKT SPEŁNIA WYMAGANIA ZAWARTE W DYREKTYWACH:



DYREKTYWA PARLAMENTU EUROPEJSKIEGO I RADY 2014/30/UE z dnia 26 lutego 2014 r. w sprawie harmonizacji ustawodawstw państw członkowskich odnoszących się do kompatybilności elektromagnetycznej (Dz.U. L 096 z 29.3.2014, s. 79-106, z późniejszymi zmianami) – zwana Dyrektywą EMC.



DYREKTYWA PARLAMENTU EUROPEJSKIEGO I RADY 2012/19/UE z dnia 4 lipca 2012 r. w sprawie zużytego sprzętu elektrycznego i elektronicznego WEEE (Dz.U. L 96 z 29.3.2014, str. 79-106, z późniejszymi zmianami) – zwana Dyrektywą WEEE.



DYREKTYWA PARLAMENTU EUROPEJSKIEGO I RADY 2011/65/UE z dnia 8 czerwca 2011 r. w sprawie ograniczenia stosowania niektórych niebezpiecznych substancji w sprzęcie elektrycznym i elektronicznym (Dz.U. L 174 z 1.7.2011, str. 88-110, z późniejszymi zmianami) - zwana Dyrektywą RoHS.

DYREKTYWA DELEGOWANA KOMISJI (UE) 2015/863 z dnia 31 marca 2015 r. zmieniająca załącznik II do dyrektywy Parlamentu Europejskiego i Rady 011/65/UE w odniesieniu do wykazu substancji objętych ograniczeniem (Dz. U. z 3 stycznia 2017).

DYREKTYWA PARLAMENTU EUROPEJSKIEGO I RADY (UE) 2017/2102 z dnia 15 listopada 2017 r. zmieniająca dyrektywę 2011/65/UE w sprawie ograniczenia stosowania niektórych niebezpiecznych substancji w sprzęcie elektrycznym i elektronicznym (Dz. U. z 10 lipca 2019).

Wyłączenie odpowiedzialności w przypadku uszkodzenia danych zawartych na dyskach lub innych urządzeniach lub nośnikach:

Producent nie ponosi odpowiedzialności w razie uszkodzenia lub utraty w trakcie eksploatacji Produktu danych zawartych na dyskach lub innych urządzeniach lub nośnikach.

Obowiązek konsultowania się z Producentem przed wykonaniem czynności nieprzewidzianej instrukcją obsługi albo innymi dokumentami:

Przed wykonaniem czynności, która nie jest przewidziana dla danego Produktu w instrukcji obsługi, innych dokumentach dołączonych do Produktu lub nie wynika ze zwykłego przeznaczenia Produktu, należy, pod rygorem wyłączenia odpowiedzialności Producenta za następstwa takiej czynności, skontaktować się z Producentem.



Zamieszczone w niniejszej publikacji zdjęcia przedstawiające obrazy z kamer mogą być symulacjami. Rzeczywiste obrazy z kamer mogą się różnić, w zależności od typu, modelu, ustawień, obszaru obserwacji lub warunków zewnętrznych.

WARUNKI BEZPIECZEŃSTWA



Przed rozpoczęciem użytkowania urządzenia, należy zapoznać się z instrukcją obsługi w celu zapewnienia właściwej i bezpiecznej pracy urządzenia. Nieprzestrzeganie instrukcji może prowadzić do uszkodzenia urządzenia i/lub naruszenia bezpieczeństwa użytkownika.



Użytkownik nie może dokonywać samodzielnych napraw urządzenia. Naprawy i konserwację urządzenia mogą być wykonywane wyłącznie przez wykwalifikowanych pracowników serwisu.



Urządzenie będące elementem profesjonalnego systemu telewizji dozorowej służącego do nadzoru i kontroli, nie jest przeznaczone do samodzielnego montażu w gospodarstwach domowych, przez osoby nie posiadające specjalistycznej wiedzy.

1. Przed zainstalowaniem i rozpoczęciem eksploatacji należy dokładnie zapoznać się z niniejszą instrukcją obsługi;
2. Instrukcję należy przechowywać przez czas eksploatacji urządzenia na wypadek konieczności odniesienia się do zawartych w niej treści;
3. Należy przestrzegać wymogów bezpieczeństwa opisanych w instrukcji, gdyż mają one bezpośredni wpływ na bezpieczeństwo użytkowników i trwałość oraz niezawodność urządzenia;
4. Wszystkie czynności wykonywane przez instalatorów i użytkowników muszą być realizowane zgodnie z opisem zawartym w instrukcji;
5. Podczas przeprowadzania czynności konserwatorskich urządzenie musi być odłączone od zasilania;
6. Nie wolno stosować żadnych dodatkowych urządzeń, podzespołów lub akcesoriów nie przewidzianych i nie zalecanych przez producenta;
7. Nie należy instalować tego urządzenia w miejscach, gdzie nie można zapewnić właściwej wentylacji (np. zamknięte szafki, itp.), gdyż może to powodować kumulowanie się ciepła i w konsekwencji może doprowadzić do uszkodzenia;
8. Nie wolno umieszczać urządzenia na niestabilnych powierzchniach. Instalacja musi być przeprowadzona przez wykwalifikowany personel o odpowiednich uprawnieniach według zaleceń podanych w niniejszej instrukcji;
9. Urządzenie może być zasilane jedynie ze źródeł o parametrach zgodnych ze wskazanymi przez producenta w danych technicznych;



Ponieważ produkt jest stale ulepszany i optymalizowany, niektóre jego parametry i funkcje mogły ulec zmianie w stosunku do opisanych w niniejszej instrukcji. W razie wątpliwości prosimy o zapoznanie się z instrukcją obsługi znajdującą się na stronie www.novuscctv.com
Instrukcja obsługi znajdującą się na stronie www.novuscctv.com jest zawsze najbardziej aktualną wersją.

INFORMACJE WSTĘPNE

1. DANE TECHNICZNE

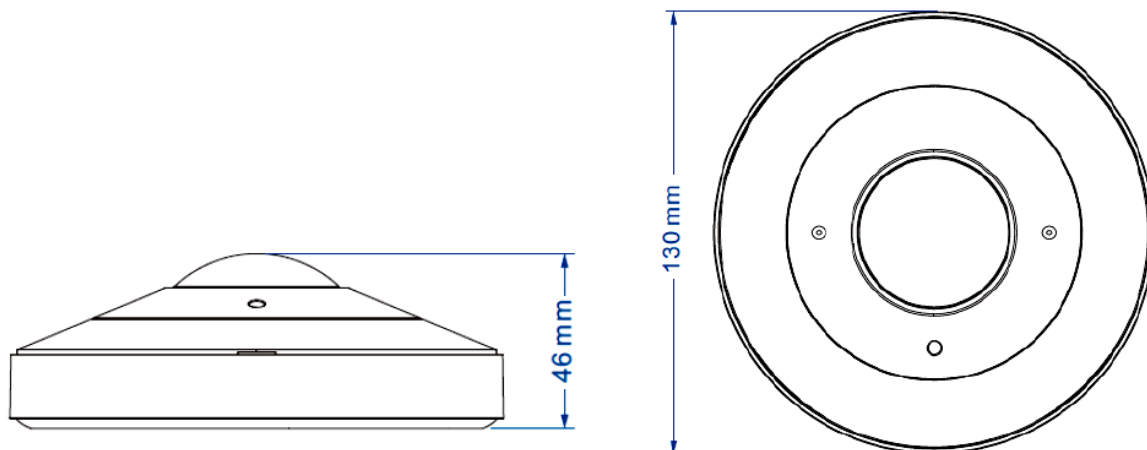
OBRAZ	
Przetwornik obrazu	6 MPX, matryca CMOS, 1/2.5", SmartSens
Czułość	0.01 lx/F2.0 - tryb kolorowy, 0 lx (IR wł.) - tryb czarno-biały
Stosunek sygnału do szumu	> 50 dB (wyłączona ARW)
Elektroniczna migawka	automatyczna: 1/3 s ~ 1/100000 s
Wydłużona migawka (DSS)	do 1/3 s
Szeroki zakres dynamiki (WDR)	tak 120dB
Cyfrowa redukcja szumu (DNR)	3D
Funkcja Defog (F-DNR)	tak
Redukcja efektu oślepienia kamery (HLC)	tak
Kompensacja tylnego światła (BLC)	tak
Redukcja migotania obrazu (Antiflicker)	tak
OBIEKTYW	
Typ obiektywu	„rybie oko”, f=1.65 mm/F2.0
DZIEŃ/NOC	
Rodzaj przełączania	mechaniczny filtr podczerwieni
Tryb przełączania	automatyczny, manualny, czasowy
Regulacja poziomu przełączania	tak
Opóźnienie przełączania	2 ~ 6000 s
Czujnik światła widzialnego	tak
SIEĆ	
Rozdzielczość strumienia wideo	3200 x 1800 (QHD+), 2160 x 2160, 1920 x 1080 (Full HD), 1440 x 1440, 1280 x 720 (HD), 960 x 960, 480 x 480
Prędkość przetwarzania	<u>Tryb 1: Fisheye + tryb panoramiczny + 3 PTZ</u> Fisheye: 30 kl/s dla: 2160 × 2160, 1440 × 1440 Tryb panoramiczny: 30 kl/s dla: 3200×1800, 1920×1080 3PTZ: 15 kl/s dla: 1280 × 720 (dla każdego widoku) <u>Tryb 2: Fisheye + 4 PTZ</u> Fisheye: 30 kl/s dla: 2160 × 2160, 1440 × 1440 4PTZ: 15 kl/s dla: 1280 × 720 (dla każdego widoku) <u>Tryb3: Fisheye + 4 PTZ fusion</u> Fisheye: 30 kl/s dla: 2160 × 2160, 1440 × 1440 4PTZ fusion: 20 kl/s dla: 2560 × 1440
Tryb wielostrumieniowy	2 strumienie (główny, pomocniczy)
Kompresja wideo/audio	H.264, H.264+, H.265, H.265+, MJPEG / G.711
Liczba jednoczesnych połączeń	maks. 10 połączeń, (maks. 20 strumieni łącznie)
Przepustowość	łącznie 70 Mb/s
Obsługiwane protokoły sieciowe	HTTP, TCP/IP, IPv4/v6, UDP, HTTPS, FTP, DHCP, DNS, DDNS, NTP, RTSP, RTP, UPnP, SNMP, QoS, IEEE 802.1X, PPPoE, SMTP, RTCP, P2P, HTML5, RTMP

INFORMACJE WSTĘPNE

Konfiguracja kamery	z poziomu przeglądarki Edge, Firefox, Chrome, Opera języki: polski, angielski, rosyjski, i inne
Kompatybilne oprogramowanie	NOVUS MANAGEMENT SYSTEM VSS, NOVUS MANAGEMENT SYSTEM AC, N Control 6000
Aplikacje mobilne	N-VID6 (iPhone, Android)
POZOSTAŁE FUNKCJE	
Strefy prywatności	4 typu kolor
Detekcja ruchu	tak
Obszar obserwacji (ROI)	8
Analiza obrazu	przekroczenie linii, wkroczenie do strefy, wyjście ze strefy, zliczanie obiektów, detekcja tłumy, mapa ciepła, wtargnięcie funkcje analizy obrazu są dostępne, gdy w menu "Metoda Instalacji" jest wybrana opcja "sufit"
Obróbka obrazu	widok "fisheye", widok panoramiczny, widok "fisheye" + 3 widoki PTZ, widok panoramiczny + 3 widoki PTZ, 4 widoki PTZ, obrót obrazu o 180°, wyostanie, odbicie lustrzane
Prealarm/postalarm	do 6 s/do 120 s
Reakcja na zdarzenia alarmowe	e-mail z załącznikiem, zapis na FTP, zapis na kartę SD, aktywacja wyjścia alarmowego
Przywracanie ustawień fabrycznych	z poziomu przeglądarki internetowej, za pomocą przycisku reset, za pomocą oprogramowania NMS IPTool
OŚWIETLACZ IR	
Liczba LED	4
Zasięg	20 m
Smart IR	tak (wsparcie sprzętowe)
INTERFEJSY	
Wyjście wideo	BNC, 1.0 Vp-p, 75 Ohm
Wejścia/wyjścia audio	1 x Jack (3.5 mm)/1 x Jack (3.5 mm) wbudowane dwa mikrofony
Wejścia/wyjścia alarmowe	1 (NO/NC) / 1 typu przekaźnik (maks. 12VDC/300mA)
RS-485	tak
Interfejs sieciowy	1 x Ethernet - złącze RJ-45, 10/100 Mbit/s
Gniazdo kart pamięci	microSD - pojemność do 256GB
PARAMETRY INSTALACYJNE	
Wymiary (mm)	130 (Φ) x 46 (wys.)
Masa	0.55 kg
Klasa szczelności	IP 67 (szczegóły w instrukcji obsługi na stronie 9)
Obudowa	wandaloodporna stopień ochrony IK10, aluminiowa, w kolorze białym
Zasilanie	12 VDC, PoE (IEEE 802.3af, Klasa 3)
Pobór mocy	5 W, 10 W (oświetlacz IR wł.)
Temperatura pracy	-30°C ~ 60°C
Wilgotność	maksymalnie 95%, względna (bez kondensacji)

INFORMACJE WSTĘPNE

1.1. Wymiary kamery



1.2. Zawartość opakowania

Po otwarciu należy upewnić się czy w opakowaniu znajdują się następujące elementy:

- Kamera IP
- Torebka z akcesoriami montażowymi
- Skrócona instrukcja obsługi.

Jeżeli którykolwiek z elementów został uszkodzony w transporcie, należy spakować zawartość z powrotem do oryginalnego opakowania i skontaktować się z dostawcą.

Uwaga:

Jeżeli urządzenie przyniesione zostało z pomieszczenia o niższej temperaturze należy odczekać aż osiągnie temperaturę pomieszczenia, w którym ma pracować. Nie wolno włączać urządzenia bezpośrednio po przyniesieniu z chłodniejszego miejsca. Kondensacja pary wodnej może spowodować zwarcia i w konsekwencji uszkodzenie urządzenia.

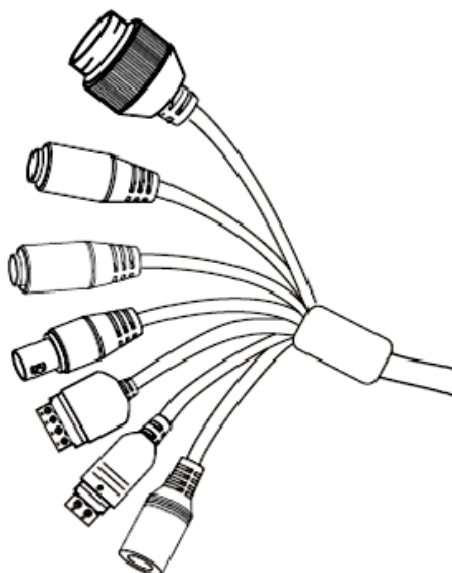
URUCHAMIANIE I WSTĘPNA KONFIGURACJA

2. URUCHAMIANIE I WSTĘPNA KONFIGURACJA

Przed uruchomieniem urządzenia należy zapoznać się z opisem i rolą poszczególnych wejść, wyjść oraz elementów regulacyjnych, w które wyposażone jest kamera.

2.1 Opis złączy elektrycznych

1. Port Ethernet 100 Mb/s
2. Wyjście audio
3. Wejście audio
4. Wyjście BNC
5. Złącze wejść/wyjść alarmowych
6. Złącze RS-485
7. Złącze zasilania kamery



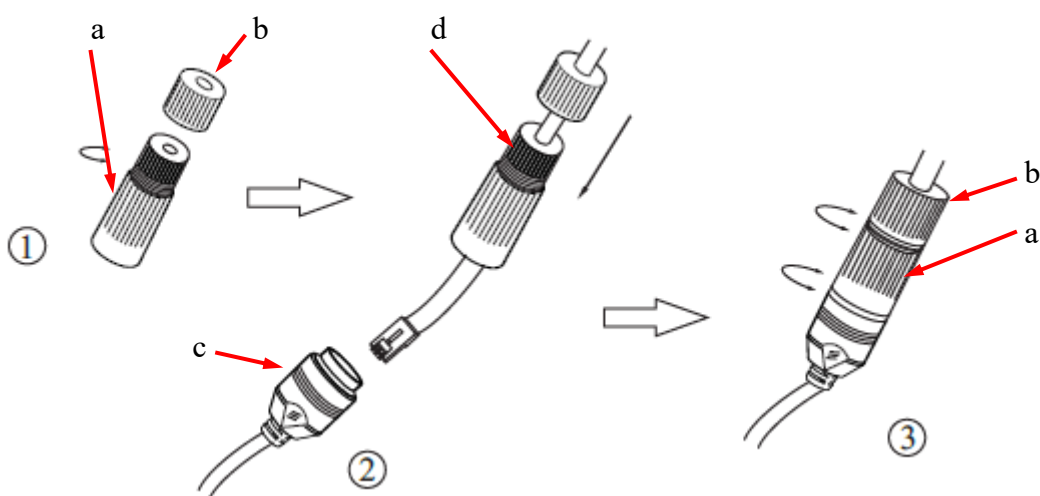
Nr	Typ złącza	Funkcja	Opis
1	gniazdo RJ45	port Ethernet	Złącze Ethernet 100Mb/s
2	gniazdo typu Jack 3.5mm oznaczenie gniazda: „HP”	wyjście audio	Do podłączenia zewnętrznych urządzeń audio (głośniki)
3	gniazdo typu Jack 3.5mm oznaczenie gniazda: „MIC”	wejście audio	Do podłączenia zewnętrznych urządzeń audio (mikrofon)
4	wtyk BNC	wyjście wideo	Wyjście analogowego sygnału wideo
5	blok złączy śrubowych ARK	1. Wyjście alarm. WYJŚCIE	Wyjście alarmowe, NO (przełącznikowe, 12VDC/24VAC 0.3A maks.)
		2. Wyjście alarm. WSPÓLNY	
		3. Wejście alarm. MASA	Wejście alarmowe, konfigurowalne: NC lub NO. Aktywowanie wejścia odbywa się przez podanie napięcia 5~12 VDC.
		4. Wejście alarm. WEJŚCIE	
6	blok złączy śrubowych ARK	A - RS-485 port A	Wejście sterowania RS-485
		B - RS-485 port B	
7	gniazdo 2.5/5.5 oznaczenie gniazda: „POWER”	złącze zasilania kamery	Zasilanie kamery, 12VDC

URUCHAMIANIE I WSTĘPNA KONFIGURACJA

2.2. Podłączenie kabla sieciowego

Aby zachować pewność połączenia kabla sieciowego należy postępować zgodnie z poniższą instrukcją:

1. Odkręcić nakrętkę (b) od osłony złącza (a), założyć pierścień uszczelniający na gniazdo (c)
2. Poprowadzić kabel sieciowy przez elementy (a) i (b). Włożyć wtyczkę RJ-45 do gniazda (c)
3. Nakręcić osłonę złącza (a) na gniazdo (c). W górną część osłony złącza (a) wcisnąć do oporu uszczelkę kabla (d) - uszczelka ma przecięcie umożliwiające założenie na przewód.
4. Dokręcić do oporu nakrętkę (b)



2.3. Podłączenie zasilania

Kamerę można zasilić z dostępnego na rynku zasilacza prądu stałego, pod warunkiem spełnienia przez niego wymogów technicznych kamery. Zasilacz musi dostarczać stabilizowanego napięcia stałego o wartości 12V, musi pozwalać na pobór co najmniej 15W mocy, oraz posiadać wtyk zasilający walcowy DC 2.5/5.5 o właściwej polaryzacji styków:



Możliwe jest także zasilanie kamery przez gniazdo sieciowe RJ45, przy wykorzystaniu technologii PoE (IEEE 802.3af, Klasa 3).

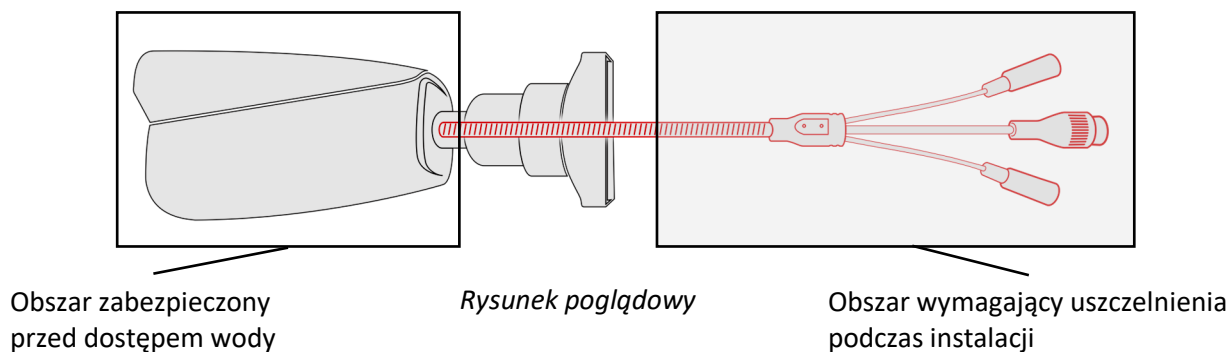
Uwaga!

Zabronione jest stosowanie jako źródło zasilania kamery urządzeń (zasilacze, adaptory itp.) PoE niezgodnych ze standardem IEEE 802.3af, potocznie nazywanych „pasywne zasilacze PoE”. Uszkodzenia wynikłe ze stosowania nieodpowiednich źródeł zasilania nie podlegają gwarancji.

URUCHAMIANIE I WSTĘPNA KONFIGURACJA

2.4. Zabezpieczenie przed wnikaniem wody

Deklarowana klasa szczelności kamery dotyczy wyłącznie jej obudowy oraz miejsca, w którym kabel połączeniowy wchodzi do wnętrza obudowy.



Oznacza to, że kabel połączeniowy łącznie z gniazdami, złączami, przełącznikami, przyciskami i innymi elementami na tym kablu, a także inne elementy wyposażenia/konstrukcji kamery (jak daszki, uchwyty, wsporniki itp.) nie są wodoszczelne. Zabezpieczenie elementów które tego wymagają (a w każdym wypadku kabla połączeniowego) przed dostępem wilgoci jest obowiązkiem osoby instalującej kamerę.

Producent nie ponosi odpowiedzialności za wszelkie szkody, uszkodzenia kamery powstałe w skutek niedopełnienia w/w obowiązku co jednocześnie oznacza, iż nie podlegają one naprawom gwarancyjnym.

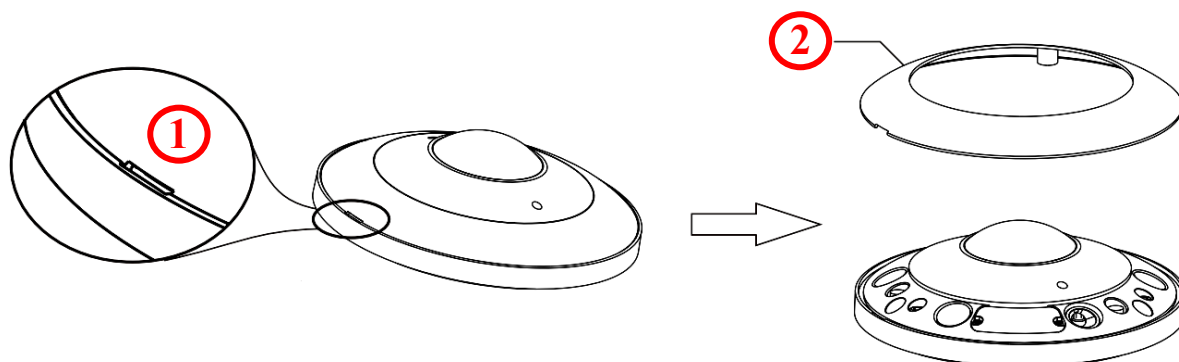
Znajdująca się w akcesoriach kamery (w zależności od wersji/modelu) osłona gniazda RJ-45 nie jest elementem zabezpieczającym przed wnikaniem wody. Zadaniem tego elementu jest ochrona przed wnikaniem do gniazda pyłów i wilgoci atmosferycznej oraz zapobieganie przypadkowym rozłączeniom przez mechaniczne stabilizowanie wtyku sieciowego w gnieździe RJ-45.

URUCHAMIANIE I WSTĘPNA KONFIGURACJA

2.5. Montaż kamery

W celu zamontowania kamery należy postępować zgodnie z podaną procedurą:

1. Przyłożyć szablon montażowy do powierzchni na której ma zostać zamocowana kamera i używając go jako wzornika zaznaczyć punkty wiercenia.
2. Wywiercić w zaznaczonych miejscach otwory, włożyć kołki rozporowe.
3. Wywiercić otwór pod przewody w miejscu podłączenia (w miarę potrzeby).
4. Korzystając z wycięcia **(1)** zdjąć z obudowy kamery magnetyczną maskownicę **(2)**.
5. Przepuścić przewody elektryczne i przykręcić kamerę za pomocą wkrętów montażowych. Podczas montażu należy zwrócić uwagę, by wytłoczona w obudowie kamery strzałka wskazująca górę obrazu, była skierowana w takim kierunku, aby zapewnić komfort obserwacji i umożliwić orientację w obserwowanej przestrzeni.
6. Założyć maskownicę.



Uwaga!

Należy zwrócić szczególną uwagę, aby powierzchnia do której mocowana jest kamera miała odpowiednią nośność.

Uwaga!

Zalecany jest montaż kamery z wykorzystaniem jednego z dedykowanych adapterów. Użycie adaptera pozwala na estetyczne wykonanie montażu kamery, ułatwia późniejsze serwisowanie oraz zapewnia zabezpieczoną przed dostępem wody przestrzeń do ukrycia przewodów.



Adaptery są wyposażeniem dodatkowym, do zakupienia oddzielnie. Cechy i funkcje adaptera (jak sposób montażu, obecność przestrzeni na kable itp.) zależą od jego modelu. Lista dedykowanych adapterów i ich dane są dostępne na karcie katalogowej kamery w zakładce „Produkty powiązane”.

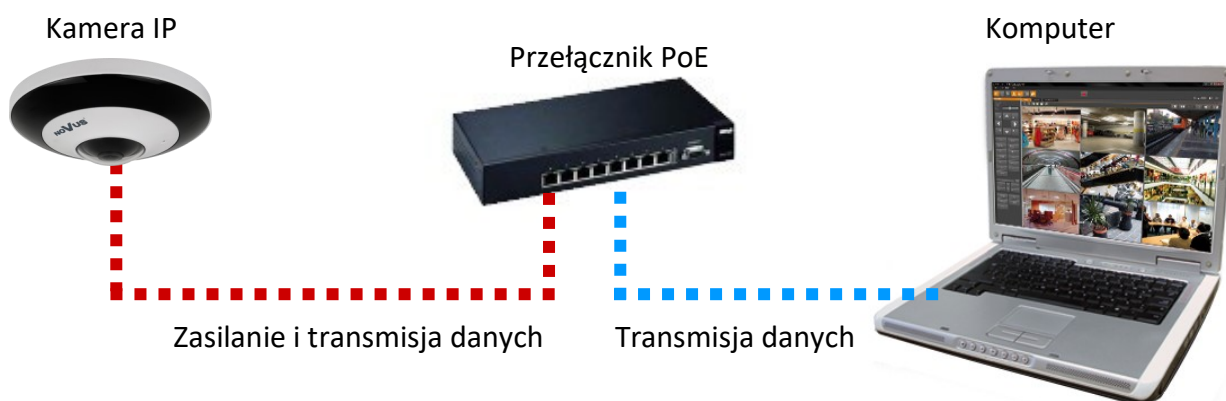
URUCHAMIANIE I WSTĘPNA KONFIGURACJA

2.6. Uruchomienie kamery

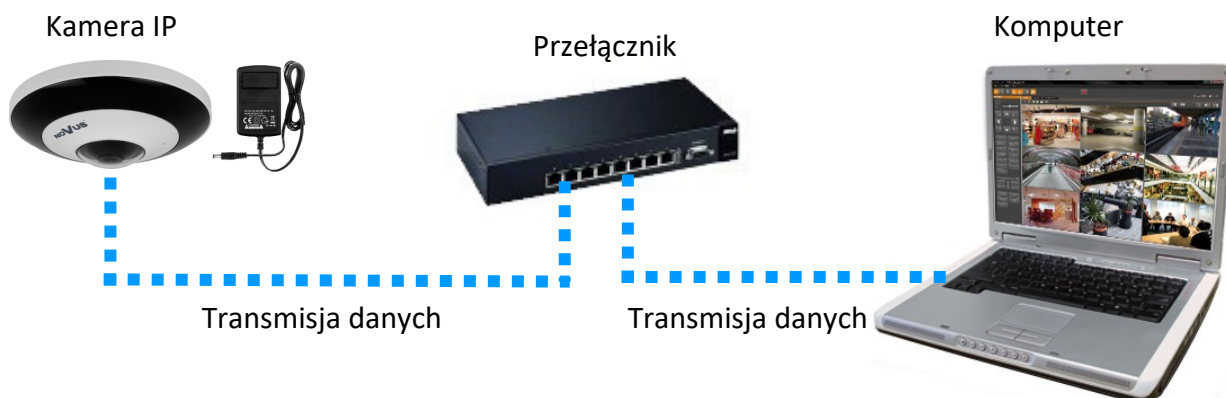
W celu uruchomienia kamery należy podłączyć kabel ethernetowy do gniazda sieciowego RJ45 kamery IP, a drugi koniec do przełącznika sieciowego. Jako źródło zasilania możliwe jest wykorzystanie zewnętrznego stabilizowanego zasilacza o parametrach spełniających wymagania kamery lub przełącznika sieciowego PoE.

Zalecaną metodą uruchomienia i konfiguracji kamery IP jest połączenie jej do komputera PC lub laptopa w wydzielonym przełączniku sieciowym, do którego nie ma podłączonych innych urządzeń. W przypadku zasilania z zewnętrznego zasilacza wystarczy zastosować dowolny przełącznik sieciowy, lub kabel podłączony bezpośrednio do komputera. W celu uzyskania danych potrzebnych do konfiguracji sieci (adres IP, brama, maska sieci itd.) należy skontaktować się z administratorem sieci, w której urządzenie ma pracować.

- Połączenie wykorzystujące przełącznik sieciowy PoE

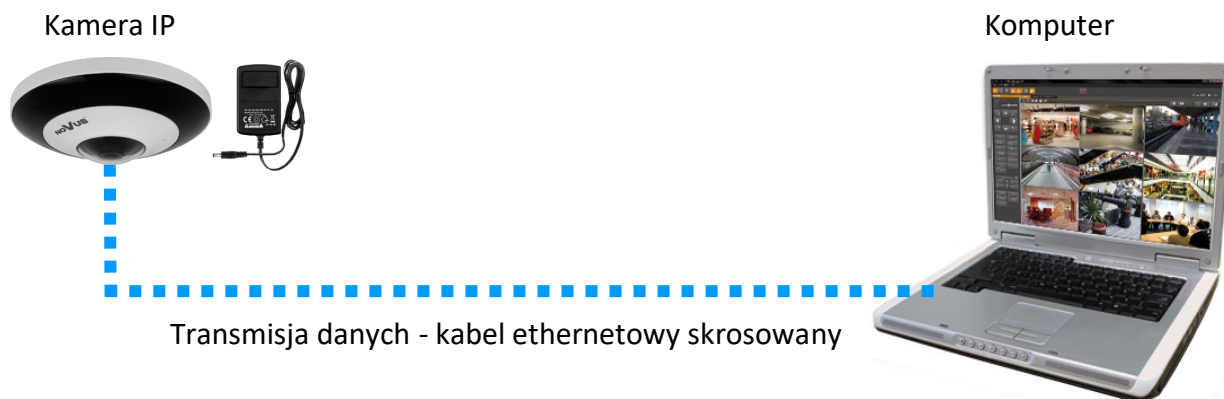


- Połączenie wykorzystujące zewnętrzne zasilanie kamery i przełącznik sieciowy



URUCHAMIANIE I WSTĘPNA KONFIGURACJA

- Połączenie wykorzystujące zewnętrzne zasilanie kamery i kabel ethernetowy



2.7. Konfiguracja parametrów przy użyciu przeglądarki internetowej

Domyślne ustawienia sieciowe dla kamer IP to :

1. Adres IP = **192.168.1.200**
2. Maska sieci - **255.255.255.0**
3. Brama - **192.168.1.1**
4. Nazwa użytkownika - **root**
5. Hasło - **pass**

Znając adres IP kamery należy ustawić adres IP komputera w taki sposób aby oba urządzenia pracowały w jednej podsieci (dla adresu IP kamery 192.168.1.200 jako adres IP komputera PC możemy ustawić adres z zakresu 192.168.1.0 - 192.168.1.254, np.: 192.168.1.60). Niedopuszczalne jest ustawianie adresu komputera takiego samego jak adres kamery.

Wykorzystując połączenie przez przeglądarkę internetową Internet Explorer lub oprogramowanie NMS należy ustawić docelową konfigurację sieciową (adres IP, maskę sieci, bramę, serwery DNS) lub włączyć tryb pracy DHCP pozwalający na pobranie adresu IP z serwera DHCP (wymagany jest wówczas działający serwer DHCP). W przypadku korzystania z serwera DHCP należy upewnić się co do długości okresu dzierżawy adresu IP, jego powiązania z adresem MAC kamery IP w celu uniknięcia zmiany lub utraty adresu IP w czasie pracy urządzenia lub chwilowej awarii sieci / serwera DHCP. Należy pamiętać że po zmianie adresu IP kamera zostanie zresetowana i trzeba wpisać nowy adres w przeglądarce internetowej. Po konfiguracji ustawień sieciowych pozwalających na bezkonfliktową pracę urządzenia, kamerę IP możemy podłączyć do sieci docelowej.

URUCHAMIANIE I WSTĘPNA KONFIGURACJA

2.8. Zalecenia dotyczące bezpieczeństwa sieci

UWAGA!

Poniżej zostały przedstawione podstawowe zalecenia dotyczące budowy oraz konfiguracji systemów telewizji dozorowej podłączonych do sieci Internet, pozwalające ograniczyć ryzyko nieautoryzowanej ingerencji w system przez osoby trzecie.

1. Bezwzględnie należy zmienić domyślne hasła dostępu oraz nazwy użytkowników (jeśli dane urządzenia dają taką możliwość) wszystkich zastosowanych urządzeń sieciowych (tzn. rejestratora, kamer, routerów, przełączników sieciowych itp.) na hasła o znacznym stopniu skomplikowania. W zależności od możliwości konfiguracji danego urządzenia zaleca się, aby hasło zawierało: małe litery, wielkie litery, cyfry oraz znaki specjalne.

2. W zależności od dostępnej funkcjonalności w celu ograniczenia dostępu do zastosowanych urządzeń sieciowych na poziomie konta administratora zaleca się odpowiednią konfigurację kont użytkowników.

3. Bezwzględnie zabronione jest wykorzystywanie funkcji DMZ (Demilitarized zone - strefa zdemilitaryzowana). Zastosowanie tej funkcji otwiera dostęp do systemu od strony sieci Internet na wszystkich możliwych portach, co w znacznym stopniu ułatwia ewentualną nieautoryzowaną ingerencję w system.

Zamiast wykorzystywania funkcji DMZ należy zastosować przekierowanie portów. Przekierowane powinny zostać jedynie porty niezbędne do realizacji połączenia (szczegółowych informacji na temat portów komunikacji w poszczególnych modelach rejestratorów, kamer itp. należy szukać w instrukcjach obsługi urządzeń).

4. Należy stosować routery wyposażone w funkcję zapory sieciowej (Firewall) oraz upewnić się że funkcja jest włączona oraz odpowiednio skonfigurowana.

5. Jeśli urządzenia sieciowe posiadają taką funkcjonalność zalecana jest zmiana domyślnych numerów portów wykorzystywanych do komunikacji sieciowej.

6. Jeśli urządzenia sieciowe posiadają funkcję UPnP i nie jest ona wykorzystywana, należy ją bezwzględnie wyłączyć.

7. Jeśli urządzenia sieciowe posiadają funkcję P2P i nie jest ona wykorzystywana, należy ją wyłączyć.

8. Jeśli urządzenia sieciowe obsługują protokół HTTPS do realizacji połączeń zaleca się jego stosowanie.

9. Jeśli urządzenia sieciowe obsługują funkcję filtracji adresów IP uprawnionych do nawiązywania połączenia zaleca się jej wykorzystywanie.

10. Jeśli zastosowany rejestrator sieciowy wyposażony jest w dwa interfejsy sieciowe zaleca się odseparowanie sieci do której podłączone są kamery od sieci posiadającej połączenie internetowe. Dzięki temu urządzeniem dostępnym z poziomu sieci Internet będzie rejestrator natomiast połączenie z kamerami nie będzie możliwe.

POŁĄCZENIA SIECIOWE ZA POMOCĄ PRZEGLĄDARKI WWW

3. POŁĄCZENIA SIECIOWE ZA POMOCĄ PRZEGLĄDARKI WWW

3.1. Zalecana konfiguracja komputera PC do połączeń przez przeglądarkę WWW

Poniższe wymagania dotyczą połączenia z kamerą IP przy założeniu płynnego wyświetlania obrazu wideo w rozdzielczości 2160 x 2160 dla 30kl/s.

1. Procesor Intel Core i7 3GHz lub wyższy
2. Pamięć RAM min. 6 GB
3. Karta grafiki (dowolna Nvidia GeForce 1GB Ram lub odpowiednik)
4. System operacyjny Windows 10/11
5. Zainstalowana przeglądarka internetowa
6. Karta sieciowa 100/1000 Mb/s

3.2. Pierwsze połączenie z kamerą za pomocą przeglądarki WWW

W pasku adresu przeglądarki WWW należy wpisać adres IP kamery. Po połączeniu wyświetli się okno z oświadczeniem o ochronie prywatności, które należy zaakceptować przez zaznaczenie pola wyboru i naciśnięcie przycisku „Odczytane”. Następnie kamera wyświetli okna konfiguracji strefy czasowej, a potem okno aktywacji, w którym definiuje się hasło administratora (oraz hasło do konta ONVIF). Kolejne okno to okno wyboru pytań bezpieczeństwa, pozwalających odzyskać dostęp do kamery w przypadku zapomnienia hasła administratora, bez konieczności resetowania urządzenia. Po przejściu tych kroków kamera zrestartuje się i wyświetli ekran logowania, w którym należy podać nazwę konta administratora (domyślnie root) oraz ustawione hasło.

Jeżeli przeglądarka Edge zostanie przełączona w tryb Internet Explorera, może wyświetlić się informacja o konieczności instalacji dodatku NetAIIPCamera, niezbędnego do prawidłowego wyświetlania menu i obrazu kamery:

The plugin is not installed or the version needs to be updated, please click [Here](#) to download and install. Before installation, please close your browser.

Należy kliknąć na łącze „Here” aby rozpocząć pobieranie dodatku a następnie, korzystając z okienka dialogowego przeglądarki, należy zainstalować go. W okienku należy kliknąć przycisk *Uruchom*, a następnie należy postępować zgodnie z poleceniami programu instalującego.



Przy korzystaniu z przeglądarki używającej protokołu HTML5 (jak Edge w trybie HTML5, Firefox, Chrome, Opera, Safari) nie ma potrzeby instalowania jakichkolwiek dodatków i po zalogowaniu się, w oknie podglądu na żywo wyświetli się obraz.

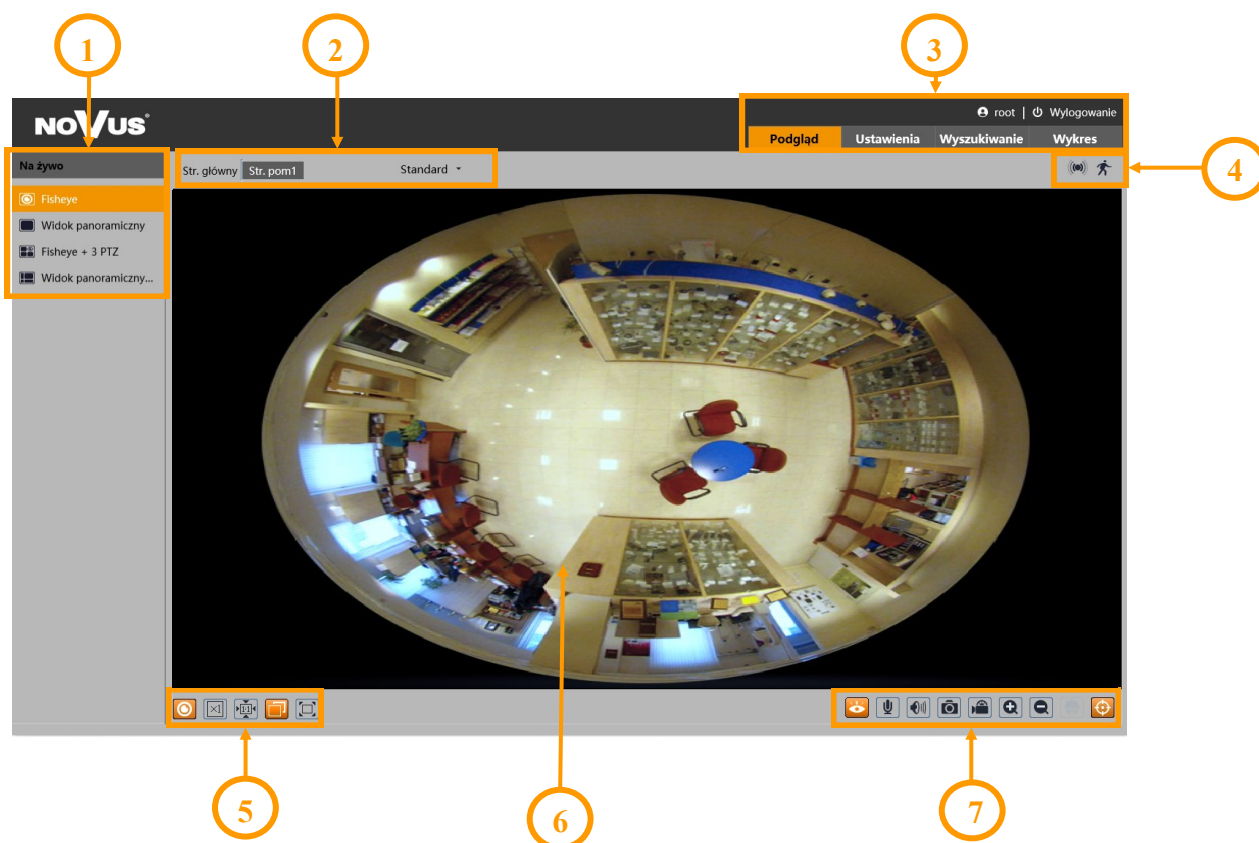
INTERFEJS WWW - PRACA Z KAMERA

4. INTERFEJS WWW - PRACA Z KAMERA

4.1 Wyświetlanie obrazu na żywo



Poniższy widok przedstawia okno zdalnego podglądu wyświetlone w przeglądarce Edge przełączonej w tryb Internet Explorera, z zainstalowanym dodatkiem „NetAIIPCamera”. Podczas łączenia się z kamerą z przeglądarek korzystających z HTML5, niektóre elementy menu i/lub niektóre opcje mogą być niedostępne lub ograniczone. Nie jest to wada, ale wynika ze specyfiki standardu HTML5.

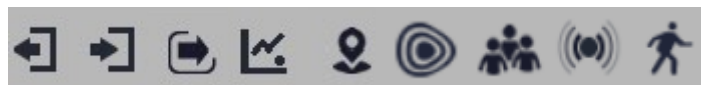


1. Panel wyboru trybu wyświetlania obrazu.
2. Wybór strumienia do wyświetlania w oknie podglądu oraz ustawienie rozmiaru bufora kamery.
3. Przyciski wyboru trybu pracy i konfiguracji kamery:

Podgląd	- włącza podgląd strumienia na żywo
Ustawienia	- wyświetla panel konfiguracyjny kamery
Wyszukiwanie	- wyświetla panel wyszukiwania i odtwarzania nagrań z karty pamięci
Wykres	- wyświetla okno statystyk funkcji zliczania przekroczeń linii i mapy ciepła
root	- informacja o zalogowanym użytkowniku
Wylogowanie	- wylogowuje z panelu www kamery

INTERFEJS WWW - PRACA Z KAMERA

4. Panel wyświetlania ikon zdarzeń alarmowych:



Od lewej: opuszczenie obszaru, wkroczenie w obszar, przekroczenie linii, zliczanie przekroczeń linii, wtargnięcie, mapa ciepła, wykrywanie gęstości tłumu, wejście alarmowe, detekcja ruchu.

5. Przyciski ustawiania obrazu:



Od lewej: włączenie/wyłączenie panel wyboru trybu wyświetlania obrazu, rozmiar oryginalny, proporcje oryginalne, automatyczne dopasowanie do okna, pełny ekran.

6. Okno podglądu na żywo.

Dwukrotne kliknięcie lewym przyciskiem myszy na oknie podglądu włącza i wyłącza wyświetlanie obrazu na całym ekranie.

7. Przyciski sterujące funkcjami kamery:



Od lewej: włącza/wyłącza podgląd na żywo, włącza dwukierunkowe audio, włącza odsłuch audio, wykonuje zdjęcie, włącza/wyłącza nagrywanie wideo na dysku komputera, przyciski cyfrowego zoomu, włącza/wyłącza panel PTZ, włącza/wyłącza wyświetlanie linii analizy obrazu

8. Funkcje panelu cyfrowego PTZ

Przyciski sterowania PTZ

Przyciski sterowania powiększeniem cyfrowym, od góry: zoom-, automatyczne skanowanie, zoom+

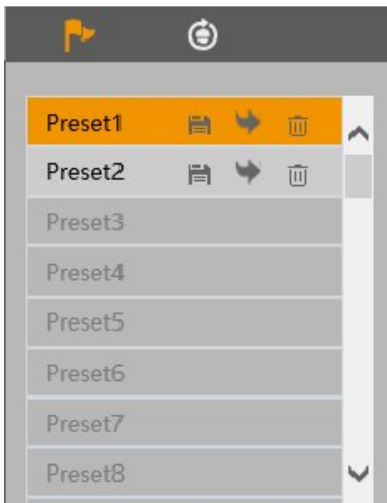
Regulacja szybkości ruchu cyfrowego PTZ

Zmiana rodzaju wyświetlanej listy:
 [ikona flagi] - wyświetla listę presetów
 [ikona zegara] - wyświetla listę patroli


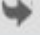

Lista presetów lub tras obserwacji

POŁĄCZENIA ELEKTRYCZNE

Opcje listy presetów:








Na liście presetów wyświetlane są wszystkie dostępne presety. Presety zapisane (zajęte) są oznaczone pogrubioną czcionką. Przy każdym presecie są dostępne ikony pozwalające na zarządzanie:

-  - zapisuje aktualnie wyświetlany widok jako preset. Jeżeli w wybranej pozycji jest już zapisany jakiś preset, zostanie nadpisany.
-  - wywołuje wybrany preset
-  - usuwa wybrany preset

Opcje listy patroli:

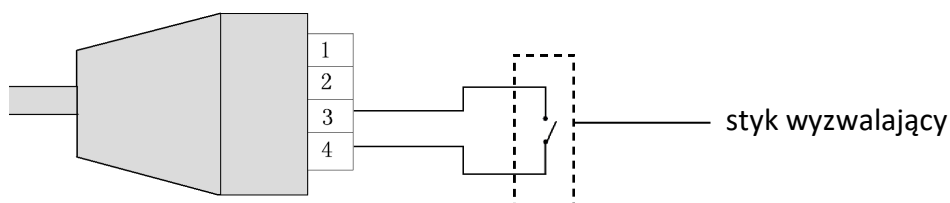


Na liście patroli wyświetlane są wszystkie dostępne patrole. Patrole zapisane (zajęte) są oznaczone pogrubioną czcionką. Po zaznaczeniu wybranego patrolu (jeżeli jest ustawiony), aktywują się przyciski sterujące:

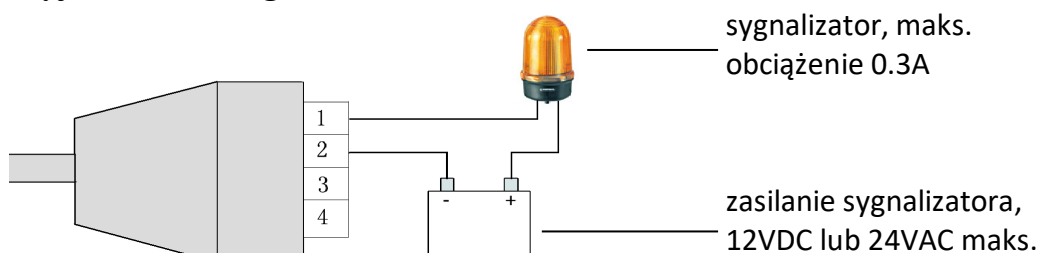
-  - uruchamia patrol
-  - zatrzymuje patrol
-  - dodaje nowy patrol
-  - edytuje patrol
-  - usuwa wybrany patrol

5. POŁĄCZENIA ELEKTRYCZNE

5.1 Podłączenie wejścia alarmowego



5.2 Podłączenie wyjścia alarmowego



PRZYWRACANIE USTAWIEŃ FABRYCZNYCH KAMERY

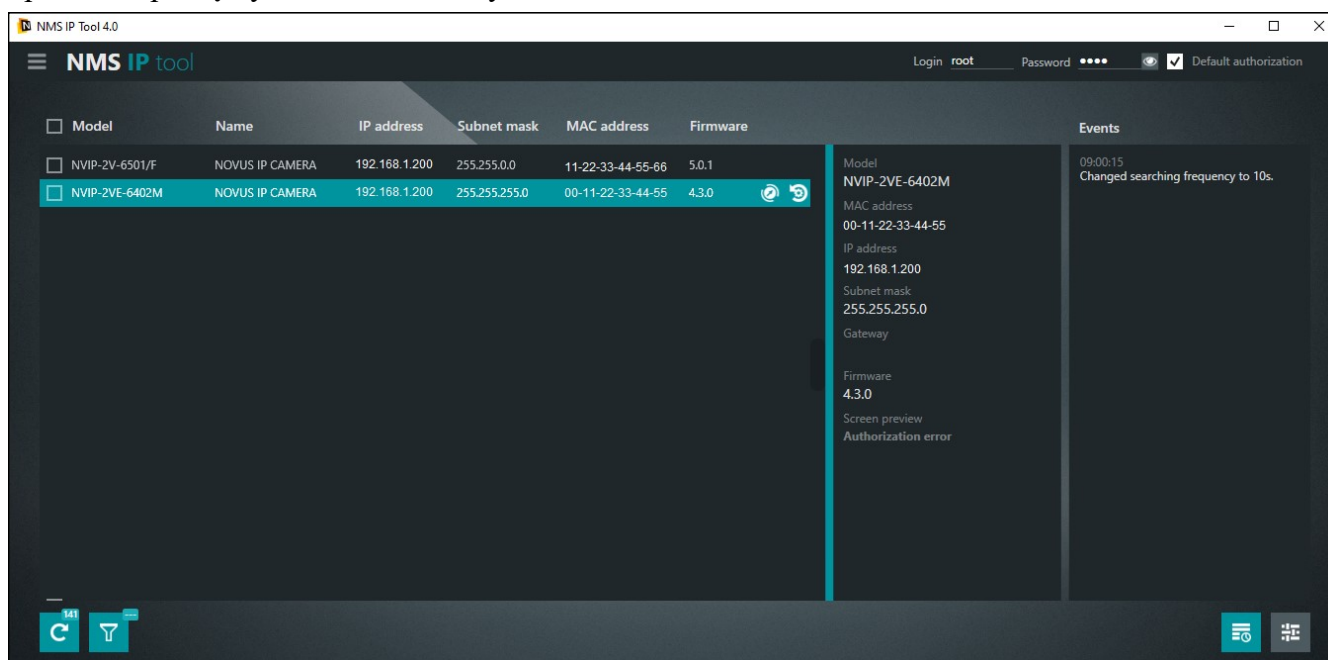
6. PRZYWRACANIE USTAWIEŃ FABRYCZNYCH

6.1. Programowe przywracanie ustawień fabrycznych

Funkcja przywracania ustawień fabrycznych znajdują się w menu „Ustawienia -> Konserwacja -> Kopia zapasowa”. Do wyboru jest opcja „Przywróć parametry domyślne”, gdzie zaznaczenie wybranej opcji „Zatrzymaj” pozwala na zachowanie ustawień sieci, konfiguracji zabezpieczeń lub konfiguracji obrazu bez zmian. Ta opcja nie resetuje haseł użytkowników. Opcja „Przywróć ustawienia fabryczne” całkowicie resetuje wszystkie ustawienia kamery.

6.2. Programowe przywracanie ustawień fabrycznych z wykorzystaniem programu NMSiptool

Za pomocą programu NMSiptool użytkownik może przywrócić ustawienia fabryczne. Odbywa się to poprzez wybranie kamery z listy, kliknięcie na ikonę przywracania ustawień fabrycznych i potwierdzenie w oknie dialogowym. Następnie, w ciągu 30 sekund od potwierdzenia, należy wyłączyć i ponownie podłączyć zasilanie kamery.



6.3. Sprzętowe przywracanie ustawień fabrycznych

W celu sprzętowego przywrócenia ustawień fabrycznych kamery należy:

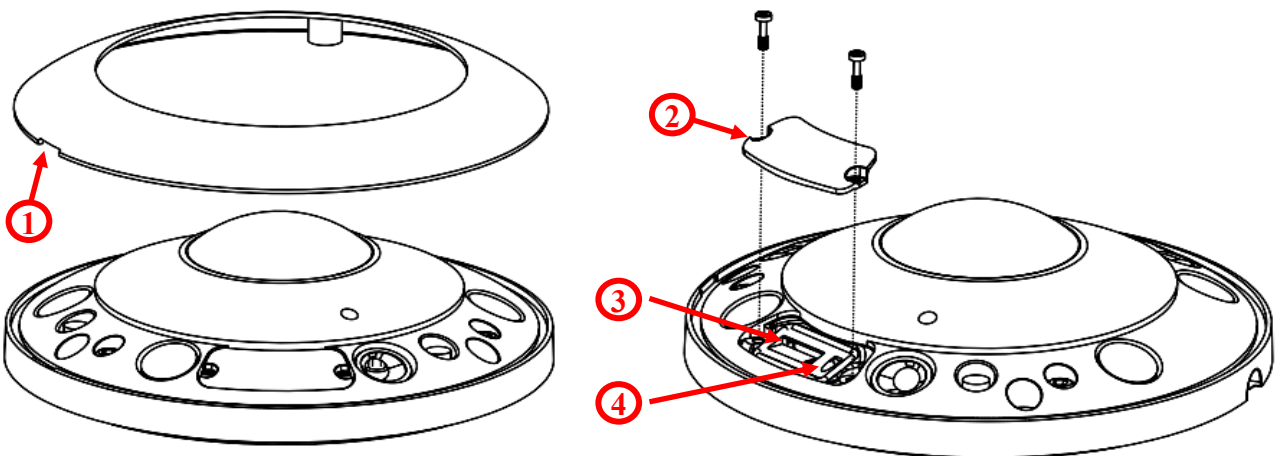
- Ściągnąć magnetyczną maskownicę (1) podważając delikatnie za wycięcie
- Odkręcić dwie śruby mocujące pokrywkę (2).
- Nacisnąć przycisk RESET (4) i przytrzymać przez około 10 sekund
- Zwolnić przycisk
- Zamontować pokrywkę (2) zwracając uwagę na poprawne ułożenie uszczelki. Zamontować maskownicę (1).
- Zalogować się ponownie używając domyślnego adresu IP, nazwy użytkownika i hasła

PRZYWRACANIE USTAWIEŃ FABRYCZNYCH KAMERY

7. INSTALACJA KARTY SD

W celu instalacji karty należy:

- Wyłączyć zasilanie kamery
- Ściągnąć magnetyczną maskownicę (1) podważając delikatnie za wycięcie
- Odkręcić dwie śruby mocujące pokrywę (2).
- Zainstalować kartę SD w gnieździe (3)
- Zamontować pokrywę (2) zwracając uwagę na poprawne ułożenie uszczelki. Zamontować maskownicę (1).
- Włączyć kamerę
- Sprawdzić poprawność zainstalowania karty przez zweryfikowanie jej rozmiaru w zakładce „Ustawienia -> System -> Karta SD”.



noVus[®]

AAT SYSTEMY BEZPIECZEŃSTWA Sp. z o.o.

ul. Puławska 431, 02-801 Warszawa, Polska

tel.: 22 546 0 546, kontakt@aat.pl

www.novuscctv.com/pl