

User's manual (short form)



eng

NVIP-2DN5041V/IRH-1P

NVIP-3DN5041V/IRH-1P

NVIP-5DN5041V/IRH-1P

noVus®

IMPORTANT SAFEGUARDS AND WARNINGS

EMC (2004/108/EC) and LVD (2006/95/EC) Directives



CE Marking

Our products are manufactured to comply with requirements of the following directives and national regulations implementing the directives:

- Electromagnetic compatibility EMC 2004/108/EC.
- Low voltage LVD 2006/95/EC with further amendment. The Directive applies to electrical equipment designed for use with a voltage rating of between 50VAC and 1000VAC as well as 75VDC and 1500VDC.

WEEE Directive 2002/96/EC



Information on Disposal for Users of Waste Electrical and Electronic Equipment

This appliance is marked according to the European 1000VAC Directive on Waste Electrical and Electronic Equipment (2002/96/EC) and further amendments. By ensuring this product is disposed of correctly, you will help to prevent potential negative consequences for the environment and human health, which could otherwise be caused by inappropriate waste handling of this product.

The symbol on the product, or the documents accompanying the product, indicates that this appliance may not be treated as household waste. It shall be handed over to the applicable collection point for used up electrical and electronic equipment for recycling purpose. For more information about recycling of this product, please contact your local authorities, your household waste disposal service or the shop where you purchased the product.

RoHS Directive 2002/95/EC



Out of concern for human health protection and friendly environment, we assure that our products falling under RoHS Directive regulations, regarding the restriction of the use of hazardous substances in electrical and electronic equipment, have been designed and manufactured in compliance with the above mentioned regulations. Simultaneously, we claim that our products have been tested and do not contain hazardous substances whose exceeding limits could have negative impact on human health or natural environment

Information

The device, as a part of professional CCTV system used for surveillance and control, is not designed for self installation in households by individuals without technical knowledge.

Excluding of responsibility in case of damaging data on a disk or other devices:

The manufacturer does not bear any responsibility in case of damaging or losing data on a disk or other devices during device operation.

WARNING!

PRIOR TO UNDERTAKING ANY ACTION THAT IS NOT DESCRIBED FOR THE GIVEN PRODUCT IN USER'S MANUAL AND OTHER DOCUMENTS DELIVERED WITH THE PRODUCT, OR IF IT DOES NOT ARISE FROM THE USUAL APPLICATION OF THE PRODUCT, MANUFACTURER MUST BE CONTACTED UNDER THE RIGOR OF EXCLUDING THE MANUFACTURER'S RESPONSIBILITY FOR THE RESULTS OF SUCH AN ACTION.

IMPORTANT SAFEGUARDS AND WARNINGS

WARNING!

THE KNOWLEDGE OF THIS MANUAL IS AN INDISPENSIBLE CONDITION OF A PROPER DEVICE OPERATION. YOU ARE KINDLY REQEUSTED TO FAMILIARIZE YOURSELF WITH THE MANUAL PRIOR TO INSTALLATION AND FURTHER DEVICE OPERATION.

WARNING!

USER IS NOT ALLOWED TO DISASSEMBLE THE CASING AS THERE ARE NO USER -SERVICEABLE PARTS INSIDE THIS UNIT. ONLY AUTHORIZED SERVICE PERSONNEL MAY OPEN THE UNIT

INSTALLATION AND SERVICING SHOULD ONLY BE DONE BY QUALIFIED SERVICE PERSONNEL AND SHOULD CONFORM TO ALL LOCAL REGULATIONS

1. Prior to undertaking any action please consult the following manual and read all the safety and operating instructions before starting the device.
2. Please keep this manual for the lifespan of the device in case referring to the contents of this manual is necessary;
3. All the safety precautions referred to in this manual should be strictly followed, as they have a direct influence on user's safety and durability and reliability of the device;
4. All actions conducted by the servicemen and users must be accomplished in accordance with the user's manual;
5. The device should be disconnected from power sources during maintenance procedures;
6. Usage of additional devices and components neither provided nor recommended by the producer is forbidden;
7. You are not allowed to use the camera in high humidity environment (i.e. close to swimming pools, bath tubs, damp basements);
8. Mounting the device in places where proper ventilation cannot be provided (e. g. closed lockers etc.) is not recommended since it may lead to heat build-up and damaging the device itself as a consequence;
9. Mounting the camera on unstable surface or using not recommended mounts is forbidden. Improperly mounted camera may cause a fatal accident or may be seriously damaged itself. The camera must be mounted by qualified personnel with proper authorization, in accordance with this user's manual.
10. Device should be supplied only from a power sources whose parameters are in accordance with those specified by the producer in the camera technical datasheet. Therefore, it is forbidden to supply the camera from a power sources with unknown parameters, unstable or not meeting producer's requirements;

Due to the product being constantly enhanced and optimized, certain parameters and functions described in the manual in question may change without further notice. We strongly suggest visiting the www.novuscctv.com website in order to access the newest manual

Data included in the following user's manual is up to date at the time of printing. AAT Holding Sp z o.o. holds exclusive rights to modify this manual. The producer reserves the rights for device specification modification and change in the design without prior notice.

TABLE OF CONTENTS

TABLE OF CONTENTS	4
1. FOREWORD INFORMATION	5
1.1. General Characteristics.....	5
1.2. Specification	6
1.3. Camera dimension	7
1.4. Package contents.....	7
2. START-UP AND INITIAL IP CAMERA CONFIGURATION	8
2.1. Description of connectors and control tools	8
2.2 Mounting the camera	9
2.3. Focus and zoom adjustment	10
2.4. Starting the IP camera.....	11
2.5. Initial configuration via the Web browser	12
3. NETWORK CONNECTION VIA WEB BROWSER	13
3.1. Recommended PC specification for web browser	13
3.2. Connection with IP camera via web browser	13
4. WWW INTERFACE - WORKING WITH IP CAMERA	15
4.1. Displaying live pictures.....	15
5. ELECTRIC CONNECTORS AND ACCESORIES	17
5.1. Connecting power supply to the camera.	17
5.2. Camera control - RS-485.....	17
5.3. Connecting alarm input and output	17
5.4. SD card installation	18
6. RESTORING FACTORY DEFAULTS	19
6.1. Restoring factory defaults by software means	19
6.2. Restoring hardware defaults by hardware means.....	19

FOREWORD INFORMATION

1. FOREWORD INFORMATION

1.1. General Characteristics

- Imager resolution: 2.0 megapixels (NVIP-2DN5041V/IRH-1P)
3.0 megapixels (NVIP-3DN5041V/IRH-1P)
5.0 megapixels (NVIP-5DN5041V/IRH-1P)
- Mechanical IR cut filter
- IR operation capability
- Min. Illumination from: 0,01 lx/F=1.2 (NVIP-2DN5041V/IRH-1P)
0,005 lx/F=1.2 (NVIP-3DN5041V/IRH-1P)
0,01 lx/F=1.2 (NVIP-5DN5041V/IRH-1P)
- Digital Slow Shutter (DSS)
- Digital Noise Reduction (DNR)
- Lens type: Auto iris DC, f=3,3 ~ 12mm F=1.2
- Built-in IR illuminator, 12 LEDs
- Privacy zones: 5
- Compression: H.264, M-JPEG
- Max video processing resolution: 1920 x 1080 (NVIP-2DN5041V/IRH-1P)
2048 x 1536 (NVIP-3DN5041V/IRH-1P)
2592 x 1944 (NVIP-5DN5041V/IRH-1P)
- Double streaming: resolution, speed and quality defined individually for each video stream
- RTP/RTSP protocol support for video transmission
- Pre & post-alarm functions
- Hardware motion detection
- Built-in webserver: camera configuration through the website
- MicroSD card support
- 1 alarm input and 1 alarm output
- Wide range of responses to alarm events: e-mail with attachment, saving file on FTP server, saving file on NAS, saving file on SD card
- Network protocol support : ONVIF (2.2)/Profile S, HTTP, TCP/IP, IPv4/v6, UDP/IP, RTSP, FTP, DHCP, NTP, PPoE, SMTP
- Software: NMS (NOVUS MANAGEMENT SYSTEM) for video recording, live monitoring, playback and remote IP devices administration
- Built-in heater
- Degree of protection IP66
- Power supply: 12VDC, PoE (Power over Ethernet)

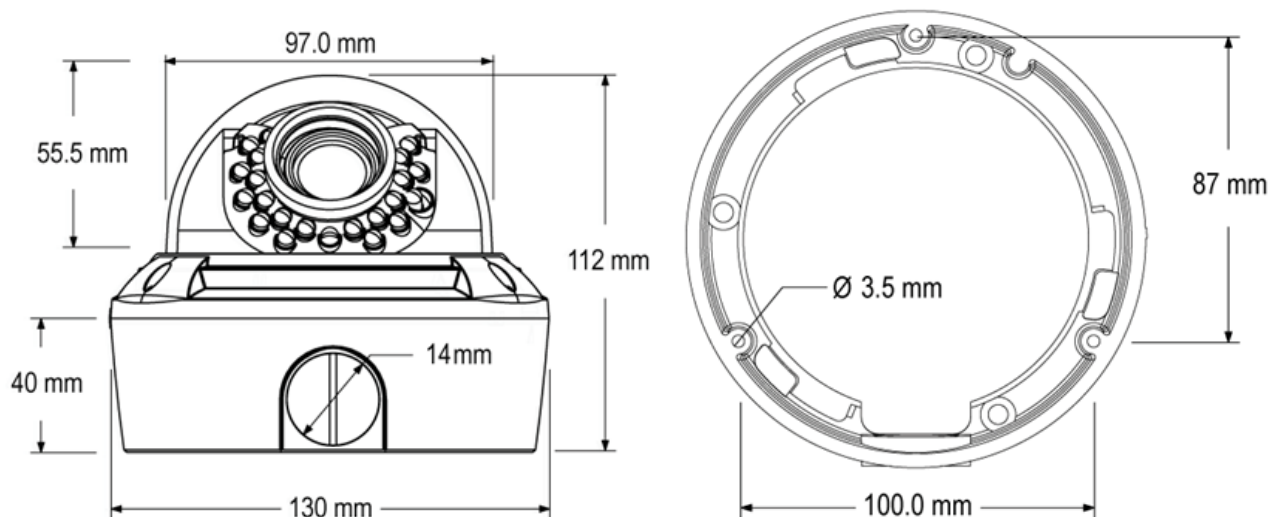
FOREWORD INFORMATION

1.2. Specification

	NVIP-2DN5041V/IRH-1P	NVIP-3DN5041V/IRH-1P	NVIP-5DN5041V/IRH-1P
IMAGE			
Pick-up Element	2 MPX, CMOS imager, 1/2.8", progressive scan	3 MPX, CMOS imager, 1/3", progressive scan	5 MPX, CMOS imager, 1/2.5", progressive scan
Number of Effective Pixels	1920 (H) x 1080 (V)	2048 (H) x 1536 (V)	2592 (H) x 1944 (V)
Min. Illumination	0.1 lx/F=1.2 - color mode, 0.01 lx/F=1.2 - color mode DSS, 0 lx - IR on	0.5 lx/F=1.2 - color mode, 0.005 lx/F=1.2 - color mode DSS, 0 lx - IR on	0.5 lx/F=1.2 - color mode, 0.01 lx/F=1.2 - color mode DSS, 0 lx - IR on
Digital Slow Shutter (DSS)	x 5		
Digital Noise Reduction (DNR)	Yes		
LENS			
Type	Auto iris DC, f=3.3 ~ 12 mm/F=1.2		
Angle of View (H)	85° ~ 35°	71° ~ 29°	88° ~ 36°
DAY/NIGHT			
Type	Mechanical IR cut filter		
Switching Mode	Auto/manual /time set		
NETWORK			
Stream Resolution	1920 x 1080 (FULL HD), 1280 x 720 (HD), 720 x 576 (D1), 640 x 480 (VGA), 640 x 360, 352 x 288 (CIF), 320 x 240 (QVGA), 176 x 144 (QCIF)	2048 x 1536, 1920 x 1080, 1280 x 720 (HD), 720 x 576 (D1), 640 x 480 (VGA), 640 x 360, 352 x 288 (CIF), 320 x 240 (QVGA), 176 x 144 (QCIF)	2592 x 1944, 2048 x 1536, 1920 x 1080 (FULL HD), 1280 x 720 (HD), 720 x 576 (D1), 640 x 480 (VGA), 640 x 360, 352 x 288 (CIF), 320 x 240 (QVGA), 176 x 144 (QCIF)
Frame Rate	30 fps for 1920 x 1080 and lower resolutions	20 fps for 2048 x 1536, 30 fps for 1920 x 1080 and lower resolutions	10 fps dla 2592 x 1944, 20 fps for 2048 x 1536, 30 fps for 1920 x 1080 and lower resolutions
Multistreaming Mode	2 streams		
Video/Audio Compression	H.264, MPEG4, M-JPEG/G.711, μ -LAW		
Network Protocols Support	ONVIF (2.2)/Profile S, HTTP, TCP/IP, UDP, FTP, DHCP, NTP, RTSP, RTP, SMTP		
PC Software	NOVUS NMS, Internet Explorer		
OTHER FUNCTIONS			
OSD	IE browser, Polish, English, Russian and other		
Privacy Zones	5		
Motion Detection	Yes		
Prealarm/Postalarm	5 MB / 86400 s		
System Reaction to Alarm Events	E-mail, saving file on FTP server, saving file on NAS, saving file to SD card, output activation		
IR LED			
Number	12		
Range	15 m		
Angle	120°		
INTERFACES			
Video Output	BNC, 1.0 Vp-p, 75 Ohm - maintenance only		
Audio Input/Output	1 x RCA/1 x RCA		
Alarm Input/Output	1/1		
Network Interface	1 x Ethernet - RJ-45 interface, 10/100 Mbit/s		
INSTALLATION PARAMETERS			
Dimensions (mm)	130 (Ø) x 112 (H)		
Weight	870 g		
Enclosure	Vandal proof, white, aluminium, polycarbonate dome		
Power Supply	PoE, 12 VDC		
Power Consumption	5W, 8W (IR on), 12.5W (IR and heater on)		
Operating Temperature	-40°C ~ 55°C		
Cold Start Minimum Temperature	-25°C		
Degree of Protection	IP 66		

FOREWORD INFORMATION

1.3. Camera dimensions



1.4. Package contents

After you open the package make sure that the following elements are inside:

- IP camera
- Accessories bag
- RJ-45 Coupler
- BNC Test Cable
- Short version of user's manual
- CD containing manual and software
- Mounting template

If any of these have been damaged during transport, pack all the elements back into the original box and contact your supplier for further assistance.

CAUTION!

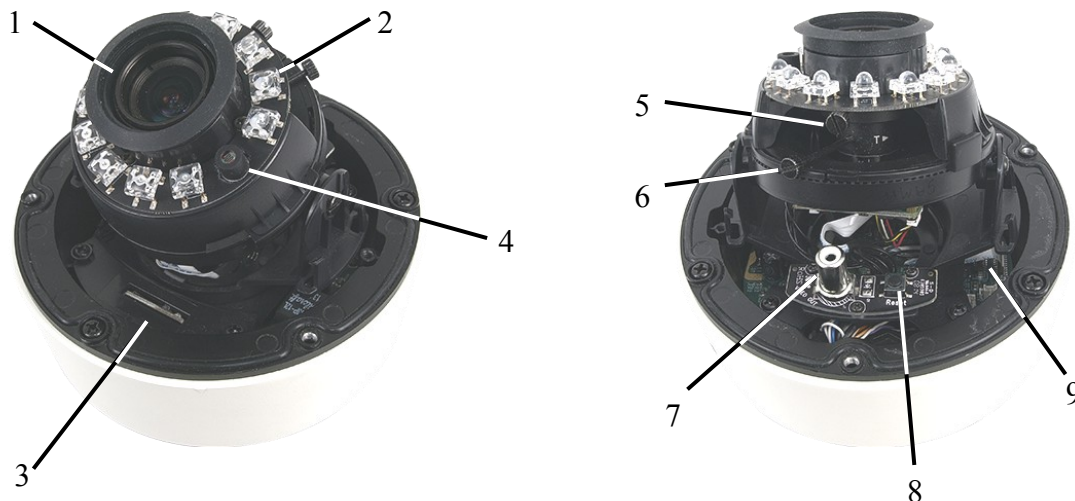
If the device was brought from a location with lower temperature, please wait until it reaches the temperature of location it is currently in. Turning the device on immediately after bringing it from a location with lower ambient temperature is forbidden, as the condensing water vapour may cause short-circuits and damage the device as a result.

Before starting the device familiarize yourself with the description and the role of particular inputs, outputs and adjusting elements that the device is equipped with.

START-UP AND INITIAL CAMERA CONFIGURATION

2. START-UP AND INITIAL IP CAMERA CONFIGURATION

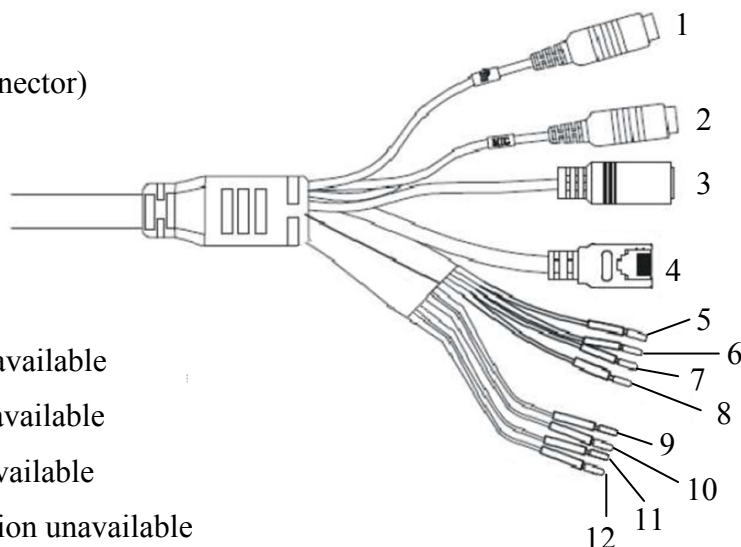
2.1. Description of connectors and control tools



- | | |
|----------------------|---|
| 1. Lens | 6. Focus |
| 2. IR LED | 7. BNC analog output - maintenance only |
| 3. MicroSD card slot | 8. Reset button |
| 4. Light sensor | 9. Microphone |
| 5. Zoom | |

Cable overview with connectors description:

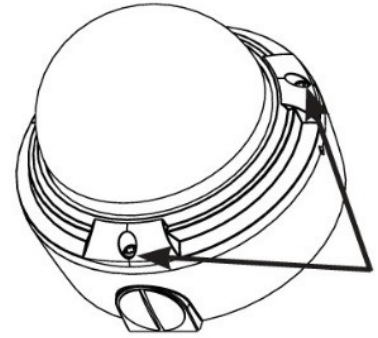
1. Audio input (RCA)
2. Audio output (RCA)
3. Power supply 12VDC
4. 100 Mb/s Ethernet port (RJ-45 connector)
5. Alarm COM0 (orange)
6. Alarm IN0 (yellow)
7. Alarm OUT1 (grey)
8. Alarm COM1 (purple)
9. RS485 RX+ (brown) - function unavailable
10. RS485 RX- (white) - function unavailable
11. RS485 TX+ (blue) - function unavailable
12. RS485 RX- (white-black) - function unavailable



START-UP AND INITIAL CAMERA CONFIGURATION

2.2. Camera mounting

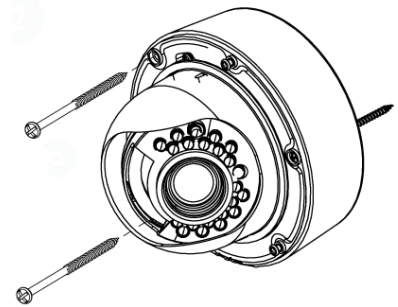
1. Use the included allen key to remove the camera cover dome screws and remove cover dome.
2. Use the included mounting template or the camera to mark holes for the mounting screws.
3. Drill holes in marked places.



There are two ways to mount camera:

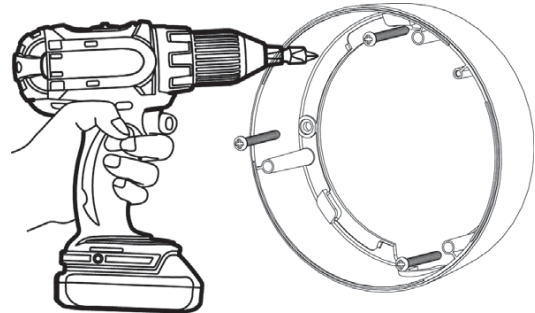
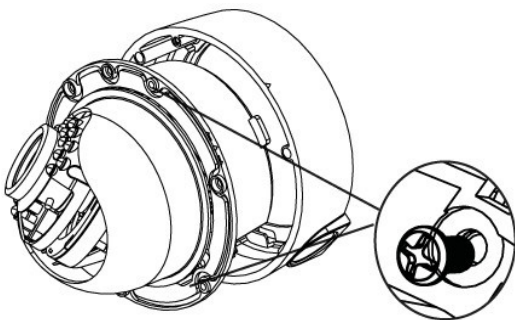
Method 1: Direct Attach Install

- 4a. Remove 2 of the 3 base locking screws. Use 2 pieces of M3x72 screws to mount the camera directly to the mounting surface.
- 5a. Remove the 3rd base locking screw and install the 3rd M3x72 screw.



Method 2: Camera Base Install

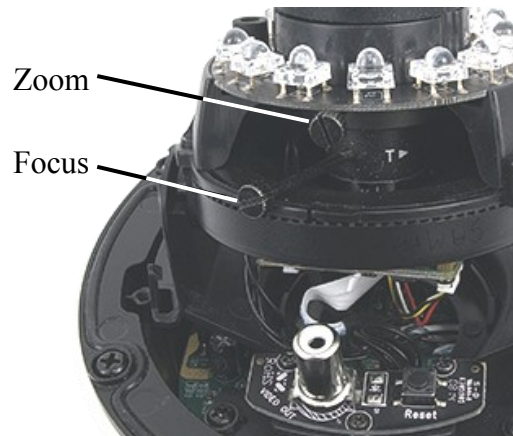
- 4b. Remove the camera base by unscrewing the 3 base locking screws, and turn camera module approx. 5 degrees counterclockwise to detach camera base from the camera module.
- 5b. Install the base to the correct holes as indicated on the mount template using the M4x32 screws.



6. Ensure the rubber gasket inside the camera is properly in place, then mount the camera cover dome and the camera cover screws.

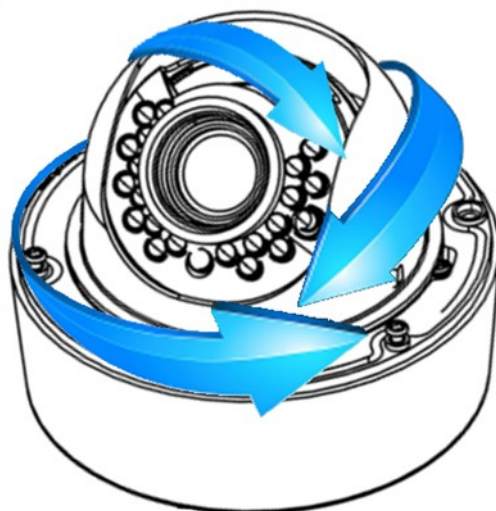
START-UP AND INITIAL CAMERA CONFIGURATION

2.3 Zoom and focus adjustment



1. Use the included allen key to remove the camera cover dome screws and remove cover dome.
2. Adjust zoom and focus.
3. Ensure the rubber gasket inside the camera is properly in place, then mount the camera cover dome and the camera cover screws.

Camera module is placed on a mount allowing 3-axis module position adjustment.



WARNING!

Please pay attention to wires connecting camera module with camera body, while you are adjusting camera module position.

START-UP AND INITIAL CAMERA CONFIGURATION

2.4. Starting the IP camera

To run NOVUS IP camera you have to connect ethernet cable between camera and network switch with PoE support (IEEE 802.3af).

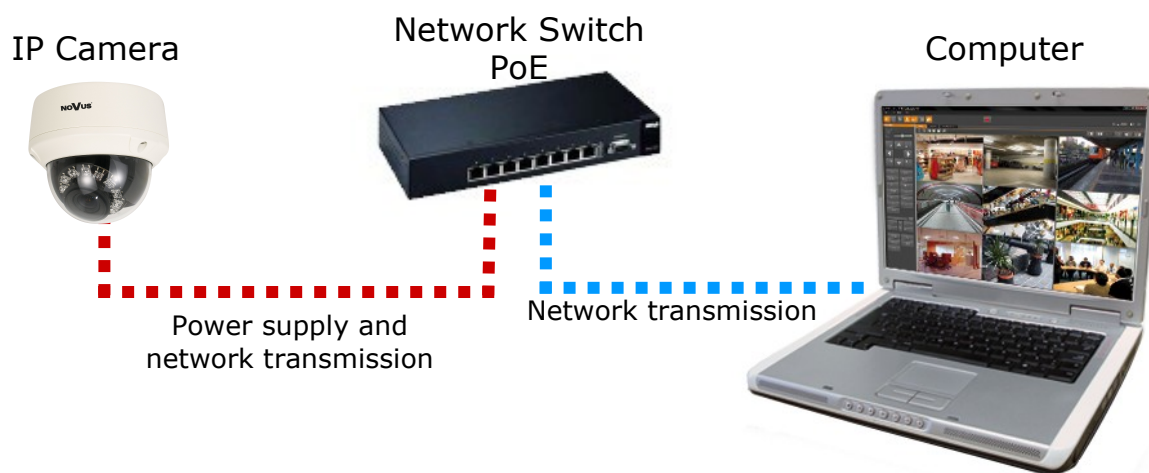
You can also connect it directly via power supply adapter with parameters compatible with camera power supply specification.

After connecting power supply initialization process is started, which takes about 2 minutes.

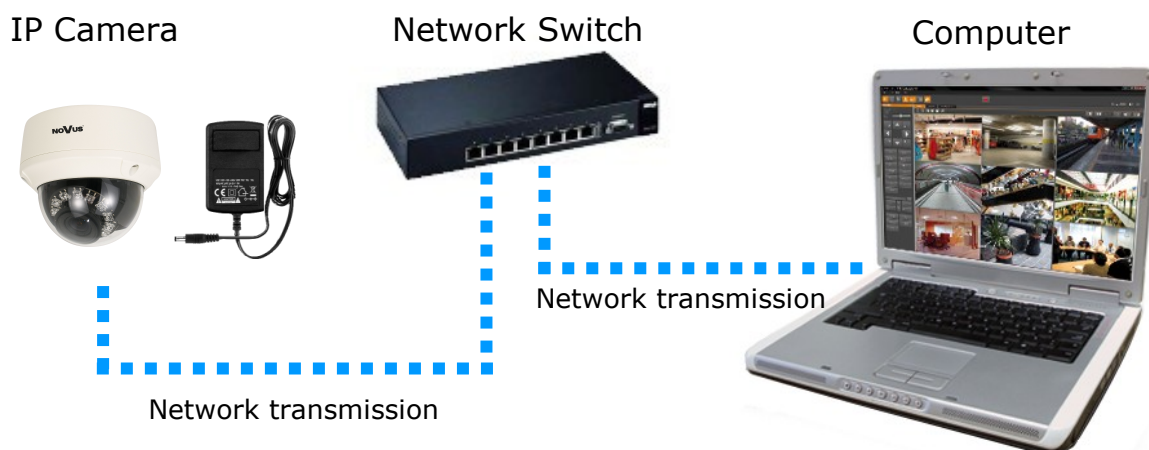
The recommended way to start an IP camera and perform its configuration is connect directly to the network switch which is not connected to other devices. To obtain further information about network configuration parameters (IP address, gateway, network mask, etc.) please contact your network administrator.

eng

- Network connection using switch with PoE support.

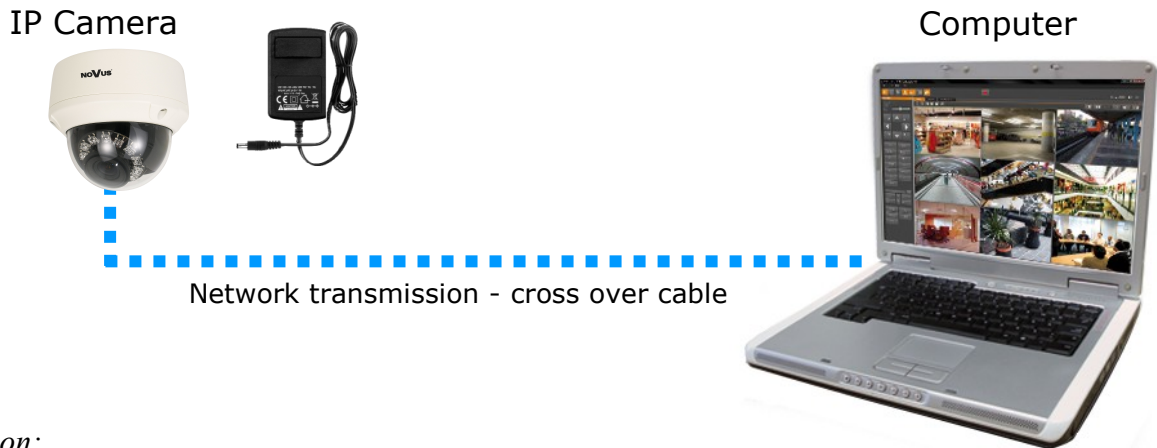


- Network connection using switch and external power supply.



START-UP AND INITIAL CAMERA CONFIGURATION

- Network connection using external power supply, directly to the computer.



Information:

Power supply adapter is not included. Please use power adapter with parameters specified in user's manual.

Caution:

In order to provide protection against voltage surges/lightning strikes, usage of appropriate surge protectors is advised. Any damages resulting from surges are not eligible for service repairs.

2.5. Initial configuration via the web browser

The default network settings for NVIP-... IP camera series are :

1. IP address= **192.168.1.200**
2. Network mask - **255.255.255.0**
3. Gateway - **192.168.1.1**
4. User name - **root**
5. Password - **pass**

Knowing the camera's IP address you need to set PC IP address appropriately, so the two devices can operate in one network subnet (e.g. for IP 192.168.1.1, appropriate address for the camera is from range 192.168.1.2 to 192.168.1.254, for example 192.168.1.60). It is not allowed to set the same addresses for camera and PC computer

You can either set a network configuration (IP address, gateway, net mask, etc.) of NOVUS IP camera yourself or select DHCP mode (DHCP server is required in this method in target network) by using web browser or by NMS software. When you use DHCP server check IP address lease and its linking with camera MAC address to avoid changing or losing IP address during device operation or network/DHCP server breakdown. You have to remember to use a new camera IP address after changing network parameters.

After network setting configuration has been done, the camera can be connected to a target network.

NETWORK CONNECTION VIA WEB BROWSER

3. NETWORK CONNECTION VIA WEB BROWSER

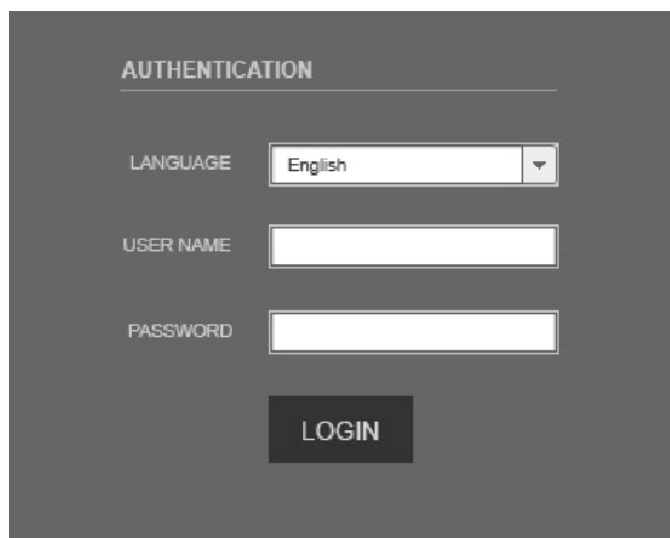
3.1. Recommended PC specification for web browser connections

Requirements below apply to connection with an IP camera, assuming image display in 1920x1080 resolution and 25 fps speed.

1. CPU **Intel Pentium IV 3 GHz** or faster
2. **RAM** Memory min. **512 MB**
3. VGA card (any displaying **Direct 3D** with min. **128 MB RAM** memory)
4. OS **Windows XP / VISTA**
5. **Direct X** version **9.0** or newer
6. Network card **10/100/1000 Mb/s**

3.2. Connection with IP camera via web browser

You have to enter camera IP address in the web browser address bar. If IP address is correct user login window will be displayed:



The screenshot shows a web browser authentication interface. At the top, the word "AUTHENTICATION" is displayed in a light gray font. Below this, there are three input fields. The first is labeled "LANGUAGE" and has a dropdown menu with "English" selected. The second is labeled "USER NAME" and is an empty text box. The third is labeled "PASSWORD" and is an empty text box. Below these fields is a black button with the word "LOGIN" in white capital letters.

Default user is **root** and default password is **pass**.

In the *Language* box you can change the display language. The default language is English.

For safety reasons, it is recommended to change default user name and password.

It is possible to connect to the camera using Internet Explorer, Mozilla Firefox, Chrome or Opera browsers. Running the IP camera in this browsers are very similar.

NETWORK CONNECTION VIA WEB BROWSER

If your computer has Flash Player installed, the main screen for the camera web interface opens. From here you can view and configure the camera.

NOTE: If your computer does not have Flash Player installed, you will be prompted to select if you would like to use ActiveX or Flash Player to connect to the camera:

[Click here to shift playing live video with short delay widget!](#)

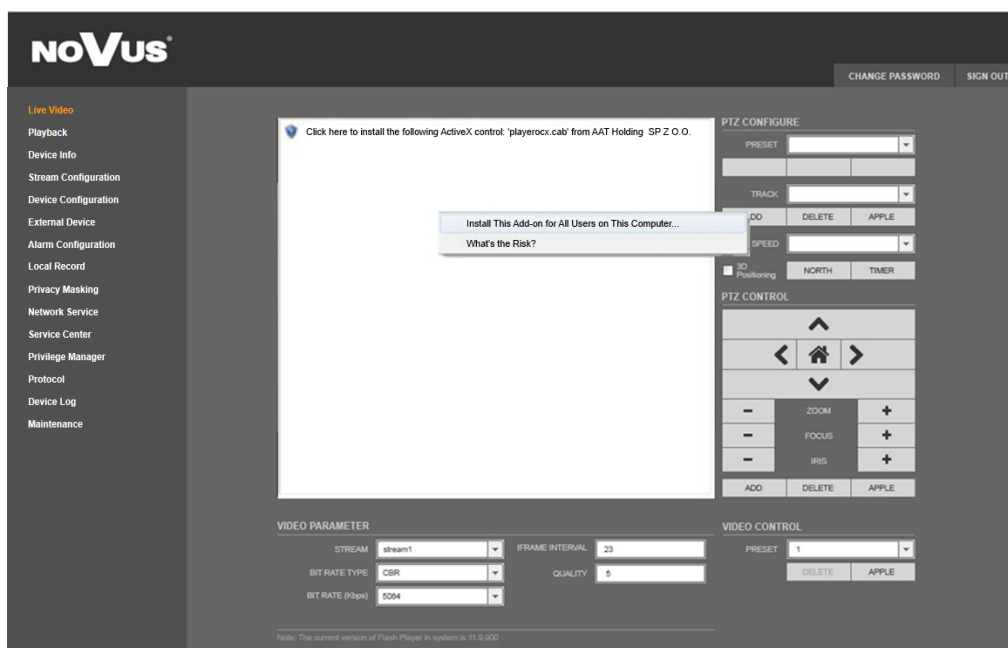


The Flash version you are using is out-of-date, which causes pages could not be displayed properly. Please use Flash Player 11.2.0 or higher version.

• It does not find the Flash Player, Maybe it is not be used or be invalid.

• Please download the latest version of Flash Player

- Click [Click here to shift playing life video with short delay widget!](#) to play live video with ActiveX control to reduce latency (recommended): Uses an ActiveX plug-in to connect to the camera. To install the plug-in, click on the video area, and select *Install this Add-on for all users on this computer*, and follow the prompts.



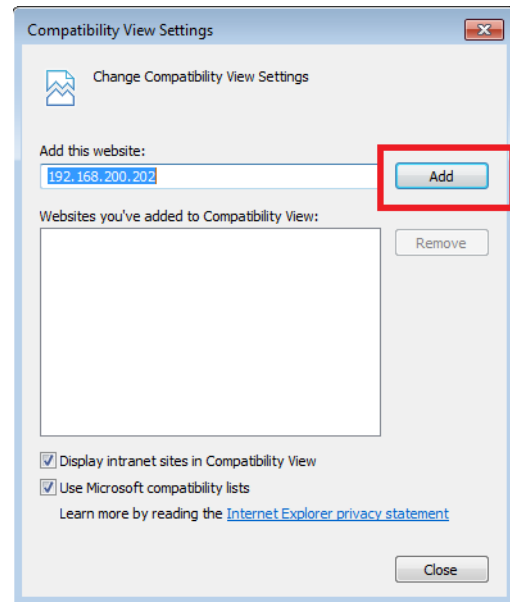
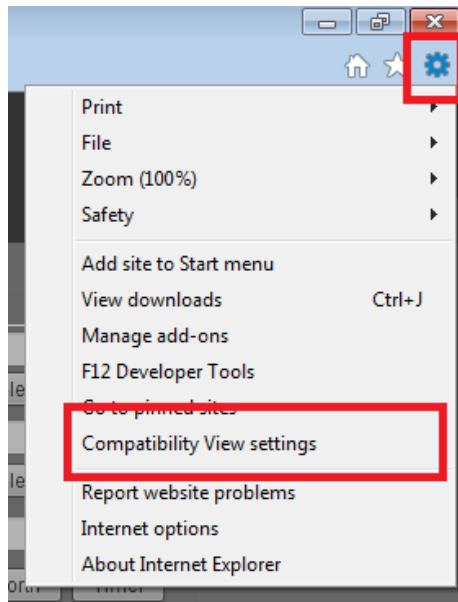
NOTE: Please open the *Security settings* of IE browser, and enable the *Download unsigned ActiveX controls*.

- Click [Please download the latest version of Flash Player](#) to play live video: Opens a link to download Flash Player from Adobe's website. After completing the installation, restart your browser and reconnect to the camera.

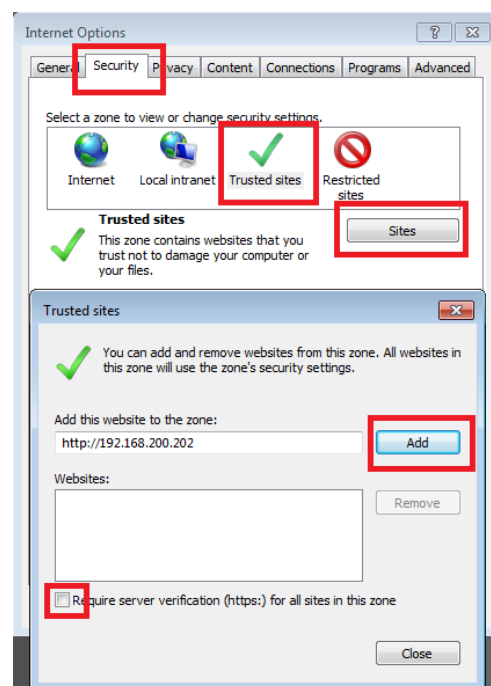
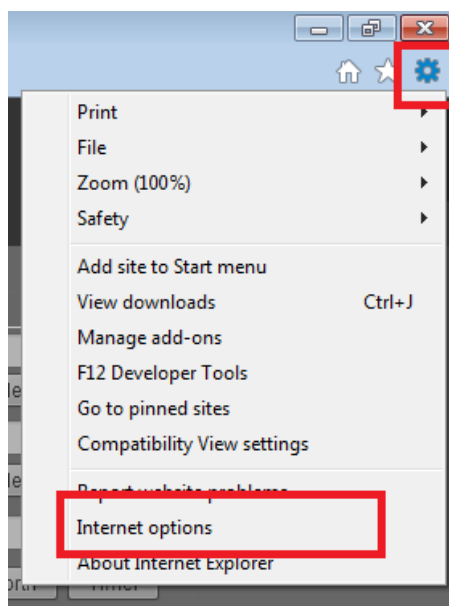
NOTE: When working in Windows Vista/7/8 the ActiveX applet may be blocked by Windows Defender or User account control. In such case you should allow to run this applet, or simply disable these functions.

NETWORK CONNECTION VIA WEB BROWSER

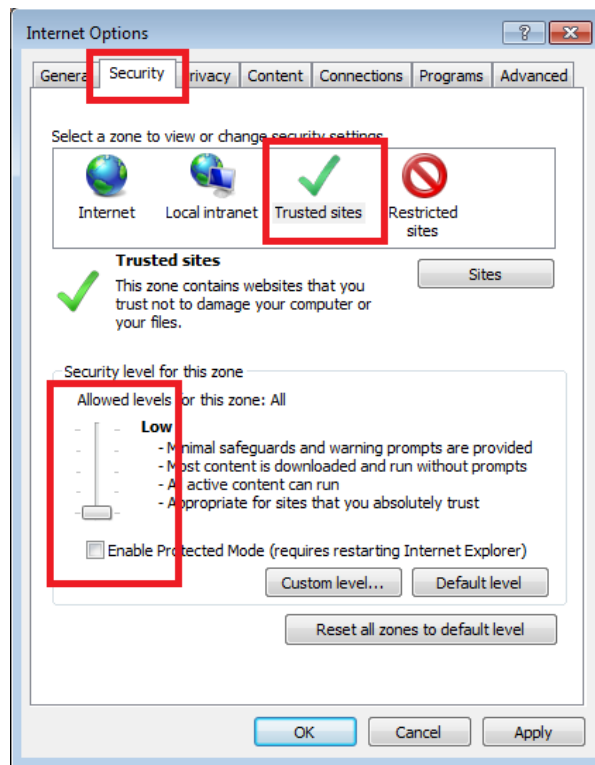
NOTE: If you are running Windows Vista/7/8 with Internet Explorer 11, the ActiveX applet can be blocked through browser security settings. In this situation, you should: add the IP address of the camera to the view of compatibility (Tools -> Compatibility View Settings, click Add).



Then, in the security settings options, add the camera address to trusted sites and lower the security level to a minimum.



NETWORK CONNECTION VIA WEB BROWSER



After making the changes, restart the browser, re-connect to the camera and log on.

WWW INTERFACE - WORKING WITH IP CAMERA

4. WWW INTERFACE - WORKING WITH IP CAMERA

4.1. Displaying live pictures

The screenshot shows the NoVus web interface. On the left, a navigation menu (1) lists options like Live Video, Playback, Device Info, Stream Configuration, Device Configuration, External Device, Alarm Configuration, Local Record, Privacy Masking, Network Service, Service Center, Privilege Manager, Protocol, Device Log, and Maintenance. The central area (2) displays a live video feed of a multi-level parking garage. To the right, there are PTZ configuration panels (3, 4) for preset, track, speed, and 3D position, along with PTZ control buttons for pan, tilt, zoom, focus, and iris. At the bottom, there are video parameter settings (5) for stream, bit rate type, quality, and bit rate, and video control buttons for camera, video, audio, and interphone.

1. Camera settings

- | | |
|----------------------|---|
| Live Video | - Live video preview |
| Playback | - Local recordings playback |
| Device Info | - Device information |
| Stream Configuration | - Video and audio settings for each stream |
| Device Configuration | - Device configuration (e.g. Local Network, Date&Time) |
| External Device | - External device configuration (function unavailable) |
| Alarm Configuration | - Alarm Configuration (Motion alarm, Alarm I/O) |
| Local Record | - Local Record Configuration |
| Privacy Masking | - Configuration up to 5 privacy masks |
| Network Service | - Network services configuration (e.g. DDNS) |
| Service Center | - Service center configuration (e.g. SMTP) |
| Privilege Manager | - Users and groups management |
| Protocol | - Protocols settings (e.g. ONVIF) |
| Device Log | - Device Log contains: Operation Log, Alarm Log and Collect Log |
| Maintenance | - Device Restart and restoring Default Settings |

WWW INTERFACE - WORKING WITH IP CAMERA

2. Video Parameter

- Stream - Stream ID (choose one from available streams)
- Bite Rate Type - Information about bit rate type
- Bit Rate (kbps) - Information about bit rate
- I Frame Interval - Information about I frame interval
- Quality - Information about quality
- USE TIME STAMP - Video buffer (increases delay when enabled, maximum delay is 5s)

NOTICE: *USE TIME STAMP* function will not be available when using Flash instead of Activex.

3. Camera Control

Function unavailable.

4. Menu bar

- Change Password - Change users password

NOTICE: Default password "pass" can be restored only after restoring default settings of the camera)

- Sign Out - Log out from camera

5. Video Control

- Camera - Default number of the camera is 1.
- Video - Turn on/off video
- Audio - Turn on/off audio
- Interphone - Turn on/off Interphone

NOTICE: *Audio and Interphone* functions will not be available when using Flash instead of Activex.

eng

ELECTRIC CONNECTORS AND ACCESORIES

5. ELECTRIC CONNECTORS AND ACCESORIES

5.1. Connecting power supply to the camera.

Camera can be supplied using external power supply unit corresponding with the camera parameters or by using RJ45 network socket and PoE (802.3at Type 1) power supply unit.

Information:

Power supply adapter is not included. Please use power adapter with parameters specified in user's manual.

Caution:

In order to provide protection against voltage surges/lightning strikes, usage of appropriate surge protectors is advised. Any damages resulting from surges are not eligible for service repairs.

• 5.2. Camera control - RS-485

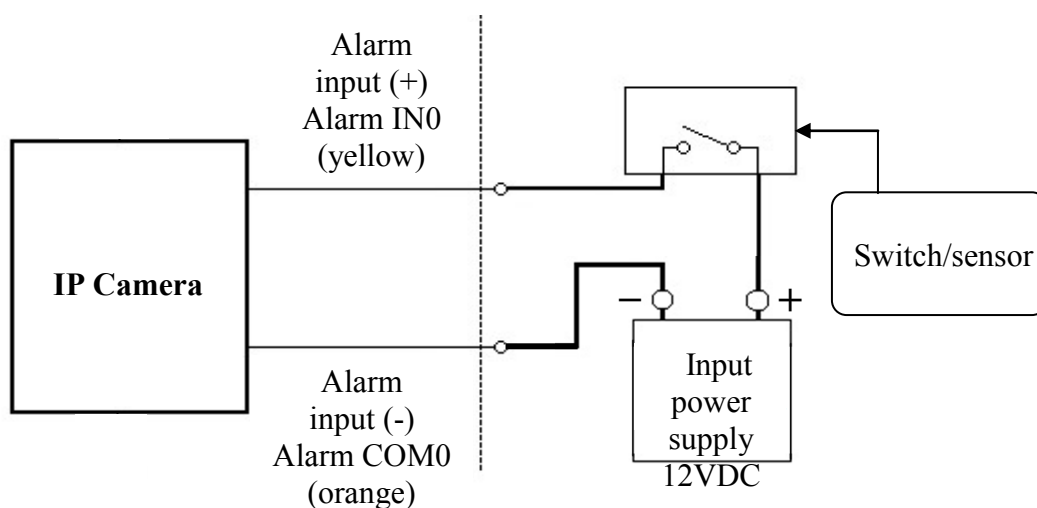
Function unavailable.

5.3. Connecting alarm inputs/outputs.

Alarm input

Camera activates alarm only when alarm input receives 12VDC.

- Alarm input connection



WARNING!

Please pay attention to proper polarization while you are connecting alarm input.

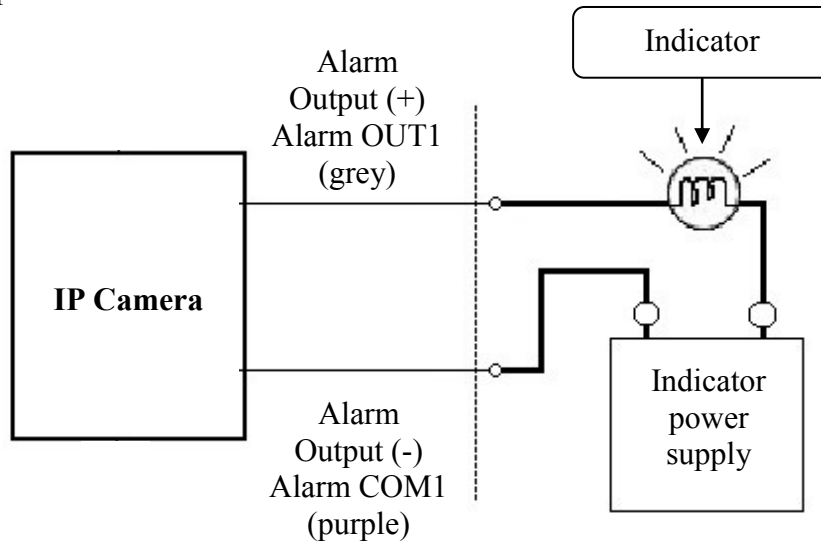
ELECTRIC CONNECTORS AND ACCESORIES

Alarm output

Camera alarm output is an relay output type.

Alarm output relay maximum load: 12 VDC / 300mA.

- Alarm output electric connections



5.4 SD card installation

Camera supports microSD/SDHC cards up to a maximum size of 64GB. SanDisk™ or Kingston™ brand microSD/SDHC cards are recommended. In order to install the card properly, please follow the instructions below:

- Turn the camera off
- Unscrew screws holding camera dome cover using allen key and remove camera cover.
- Mount SD card in the socket located at the camera's base, according to the picture:



- Mount camera cover dome and screw to camera base.
- Turn the camera on
- Check the SD card by checking its capacity in the *Local Record -> Record Directory* tab.

RESTORING FACTORY DEFAULTS

6. RESTORING FACTORY DEFAULTS

NOVUS IP cameras allow to restore defaults via:

- software (web browser level)
- hardware (using reset button)

6.1. Restoring factory defaults by software means

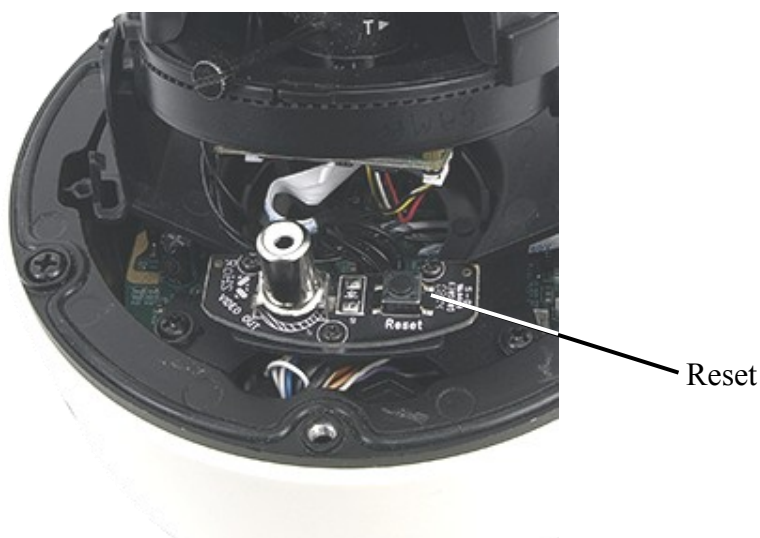
User can restore default settings of the IP camera except network settings (optional). To restore to default settings go to: *Maintenance* -> *Device Restart* tab. Process of restoring takes about two minutes.

eng

6.2. Restoring factory defaults by hardware means

In order to restore factory defaults for the camera please follow the instructions:

- Unscrew two screws holding camera cover dome using allen key and remove camera cover.



- Press the *RESET* button and hold on for 5 seconds
- Release button
- Mount camera cover dome and screw to camera base.
- Log on after approx. 2 minutes using default IP address (<http://192.168.1.200>) and default user name (root) and password (pass)

NOVUS[®]

AAT Holding sp. z o.o., ul. Puławska 431, 02-801 Warszawa, Polska
tel.: 22 546 07 00, faks: 22 546 07 59
www.novuscctv.com

2014-08-07 TF MM

instrukcja obsługi (skrótowa)



NVIP-2DN5041V/IRH-1P

NVIP-3DN5041V/IRH-1P

NVIP-5DN5041V/IRH-1P

noVus[®]

UWAGI I OSTRZEŻENIA

Dyrektywy EMC (2004/108/EC) i LVD (2006/95/EC)

Oznakowanie CE



Nasze produkty spełniają wymagania zawarte w dyrektywach oraz przepisach krajowych wprowadzających dyrektywy:

Kompatybilność elektromagnetyczna EMC 2004/108/EC.

Niskonapięciowa LVD 2006/95/EC. Dyrektywa ma zastosowanie do sprzętu elektrycznego przeznaczonego do użytkowania przy napięciu nominalnym od 50VAC do 1000VAC oraz od 75VDC do 1500VDC.

Dyrektywa WEEE 2002/96/EC

Informacja dla użytkowników o pozbywaniu się urządzeń elektrycznych i elektronicznych



Niniejszy produkt został oznakowany zgodnie z Dyrektywą WEEE (2002/96/EC) oraz późniejszymi zmianami, dotyczącą zużytego sprzętu elektrycznego i elektronicznego. Zapewniając prawidłowe złomowanie przyczyniają się Państwo do ograniczenia ryzyka wystąpienia negatywnego wpływu produktu na środowisko i zdrowie ludzi, które mogłoby zaistnieć w przypadku niewłaściwej utylizacji urządzenia.

Symbol umieszczony na produkcie lub dołączonych do niego dokumentach oznacza, że nasz produkt nie jest klasyfikowany jako odpad z gospodarstwa domowego. Urządzenie należy oddać do odpowiedniego punktu utylizacji odpadów w celu recyklingu. Aby uzyskać dodatkowe informacje dotyczące recyklingu niniejszego produktu należy skontaktować się z przedstawicielem władz lokalnych, dostawcą usług utylizacji odpadów lub sklepem, gdzie nabyto produkt.

Dyrektywa RoHS 2002/95/EC

Informacja dla użytkowników dotycząca ograniczenia użycia substancji niebezpiecznych w sprzęcie elektrycznym elektronicznym.



W trosce o ochronę zdrowia ludzi oraz przyjazne środowisko zapewniamy, że nasze produkty podlegające przepisom dyrektywy RoHS, dotyczącej użycia substancji niebezpiecznych w sprzęcie elektrycznym i elektronicznym, zostały zaprojektowane i wyprodukowane zgodnie z wymaganiami tej dyrektywy. Jednocześnie zapewniamy, że nasze produkty zostały przetestowane i nie zawierają substancji niebezpiecznych w ilościach mogących niekorzystnie wpływać na zdrowie człowieka lub środowisko naturalne.

Informacja

Urządzenie, jako element profesjonalnego systemu telewizji dozorowej służącego do nadzoru i kontroli, nie jest przeznaczone do samodzielnego montażu w gospodarstwach domowych przez osoby nie posiadające specjalistycznej wiedzy.

Wyłączenie odpowiedzialności w przypadku uszkodzenia danych zawartych na dysku lub innych urządzeniach:

Producent nie ponosi odpowiedzialności w razie uszkodzenia lub utraty w trakcie eksploatacji Produktu danych zawartych na dyskach lub innych urządzeniach.

Obowiązek konsultowania się z Producentem przed wykonaniem czynności nieprzewidzianej instrukcją obsługi albo innymi dokumentami:

Przed wykonaniem czynności, która nie jest przewidziana dla danego Produktu w instrukcji obsługi, innych dokumentach dołączonych do Produktu lub nie wynika ze zwykłego przeznaczenia Produktu, należy, pod rygorem wyłączenia odpowiedzialności Producenta za następstwa takiej czynności, skontaktować się z Producentem.

WARUNKI BEZPIECZEŃSTWA

UWAGA!

ZNAJOMOŚĆ NINIEJSZEJ INSTRUKCJI JEST NIEZBĘDNYM WARUNKIEM PRAWIDŁOWEJ EKSPLOATACJI URZĄDZENIA. PROSIMY O ZAPOZNANIE SIĘ Z NIM PRZED PRZYSTĄPIENIEM DO INSTALACJI I OBSŁUGI REJESTRATORA.

UWAGA!

NIE WOLNO DOKONYWAĆ ŻADNYCH SAMODZIELNYCH NAPRAW. WSZYSTKIE NAPRAWY MOGĄ BYĆ REALIZOWANE JEDYNIEM PRZEZ WYKWALIFIKOWANYCH PRACOWNIKÓW SERWISU.

1. Przed zainstalowaniem i rozpoczęciem eksploatacji należy dokładnie zapoznać się z niniejszą instrukcją obsługi i zawartymi w niej wymogami bezpieczeństwa;
2. Uprasza się o zachowanie instrukcji na czas eksploatacji kamery na wypadek konieczności odniesienia się do zawartych w niej treści;
3. Należy skrupulatnie przestrzegać wymogów bezpieczeństwa opisanych w instrukcji, gdyż mają one bezpośredni wpływ na bezpieczeństwo użytkowników i trwałość oraz niezawodność urządzenia;
4. Wszystkie czynności wykonywane przez instalatorów i użytkowników muszą być realizowane zgodnie z opisem zawartym w instrukcji;
5. W czasie czynności konserwatorskich urządzenie musi być odłączone od zasilania;
6. Nie wolno stosować żadnych dodatkowych urządzeń lub podzespołów nie przewidzianych i nie zalecanych przez producenta;
7. Nie wolno używać kamery w środowisku o dużej wilgotności (np. w pobliżu basenów, wani, w wilgotnych piwnicach);
8. Nie należy instalować tego urządzenia w miejscu, gdzie nie można zapewnić właściwej wentylacji (np. zamknięte szafki, itp.), co powoduje zatrzymanie się ciepła i w konsekwencji może doprowadzić do uszkodzenia;
9. Nie wolno umieszczać kamery na niestabilnych powierzchniach. Kamera musi być instalowana przez wykwalifikowany personel o odpowiednich uprawnieniach według zaleceń podanych w niniejszej instrukcji;
10. Urządzenie może być zasilane jedynie ze źródeł o parametrach zgodnych ze wskazanymi przez producenta w danych technicznych kamery. Dlatego też, zabrania się zasilania kamery ze źródeł o nieznanych, niestabilnych lub niezgodnych z wymaganiami określonymi przez producenta parametrach;

UWAGA!

Ponieważ produkt jest stale ulepszany i optymalizowany niektóre parametry i funkcje opisane w załączonej instrukcji mogły ulec zmianie. Prosimy o zapoznanie się z najnowszą instrukcją obsługi znajdującą się na stronie www.novuscctv.com.

Producent, firma AAT Holding Sp z o.o. zastrzega sobie możliwość wystąpienia błędów w druku oraz zmian parametrów technicznych bez uprzedniego powiadomienia.

SPIS TREŚCI

SPIS TREŚCI	4
1. INFORMACJE WSTĘPNE	5
1.1. Charakterystyka ogólna	5
1.2. Dane techniczne	6
1.3. Wymiary kamery	7
1.4. Zawartość opakowania	7
2. URUCHAMIANIE I WSTĘPNA KONFIGURACJA KAMERY IP	8
2.1. Opis złącz elektrycznych oraz elementów regulacyjnych	8
2.2. Montaż kamery	9
2.3. Ustawienia ostrości i ogniskowej	10
2.4. Uruchomianie kamery IP	11
2.5. Konfiguracja parametrów przy użyciu przeglądarki internetowej	12
3. POŁĄCZENIA SIECIOWE ZA POMOCĄ PRZEGLĄDARKI WWW	13
3.1. Zalecana konfiguracja komputera PC do połączeń przez przeglądarkę WWW	13
3.2. Połączenie sieciowe z kamerą IP za pomocą przeglądarki WWW	13
4. INTERFEJS WWW - PRACA Z KAMERA	15
4.1. Wyświetlanie obrazu na żywo	15
5. POŁĄCZENIA ELEKTRYCZNE I ZŁĄCZA AKCESORIÓW	17
5.1. Opis złącz kamer	17
5.2. Sterowanie kamerą - RS-485	17
5.2. Opis podłączenia wejść i wyjść alarmowych	17
5.3. Instalacja karty SD	18
6. PRZYWRACANIE USTAWIEŃ FABRYCZNYCH KAMERY	19
6.1. Programowe przywracanie ustawień fabrycznych kamery IP	19
6.2. Przywracanie ustawień fabrycznych kamery IP (sprzętowe)	19

INFORMACJE WSTĘPNE

1. INFORMACJE WSTĘPNE

1.1. Charakterystyka ogólna

- Rozdzielczość przetwornika: 2.0 megapiksele (NVIP-2DN5041V/IRH-1P)
3.0 megapiksele (NVIP-3DN5041V/IRH-1P)
5.0 megapikseli (NVIP-5DN5041V/IRH-1P)
- Mechaniczny filtr podczerwieni
- Możliwość pracy w podczerwieni
- Czułość od: 0,01 lx/F=1.2 (NVIP-2DN5041V/IRH-1P)
0,005 lx/F=1.2 (NVIP-3DN5041V/IRH-1P)
0,01 lx/F=1.2 (NVIP-5DN5041V/IRH-1P)
- Wydłużony czas ekspozycji (DSS)
- Cyfrowa redukcja szumu (DNR)
- Typ obiektywu: z automatyczną przysłoną typu D, $f=3,3\sim 12$ mm/F=1,2
- Wbudowany oświetlacz podczerwieni, 12 diod LED
- 5 stref prywatności
- Kompresja H.264, M-JPEG
- Maksymalna rozdzielczość przetwarzania wideo: 1920 x 1080 (NVIP-2DN5041V/IRH-1P)
2048 x 1536 (NVIP-3DN5041V/IRH-1P)
2592 x 1944 (NVIP-5DN5041V/IRH-1P)
- Praca w trybie dwustrumieniowym - możliwość definiowania rozdzielczości, prędkości i jakości dla każdego strumienia
- Przesyłanie wideo i audio w standardzie RTP/RTSP
- Sprzętowa detekcja ruchu
- Wbudowany web serwer – możliwość podglądu i konfiguracji ustawień kamery przez stronę www
- Obsługa kart microSD/SDHC
- 1 wejście alarmowe oraz 1 wyjście alarmowe
- Możliwość szerokiego definiowania reakcji systemu na zdarzenia alarmowe: e-mail z załącznikiem, zapis plików na serwer FTP, zapis plików NAS, zapis pliku na kartę microSD
- Obsługa protokołów: ONVIF (2.2)/Profile S, HTTP, TCP/IP, IPv4/v6, UDP/IP, RTSP, FTP, DHCP, NTP, PPPoE, SMTP
- Oprogramowanie: NMS (NOVUS MANAGEMENT SYSTEM) - do rejestracji wideo, podglądu „na żywo”, odtwarzania oraz zdalnej konfiguracji urządzeń wideo IP
- Wbudowana grzałka
- Stopień ochrony IP66
- Zasilanie 12VDC oraz PoE (Power over Ethernet)

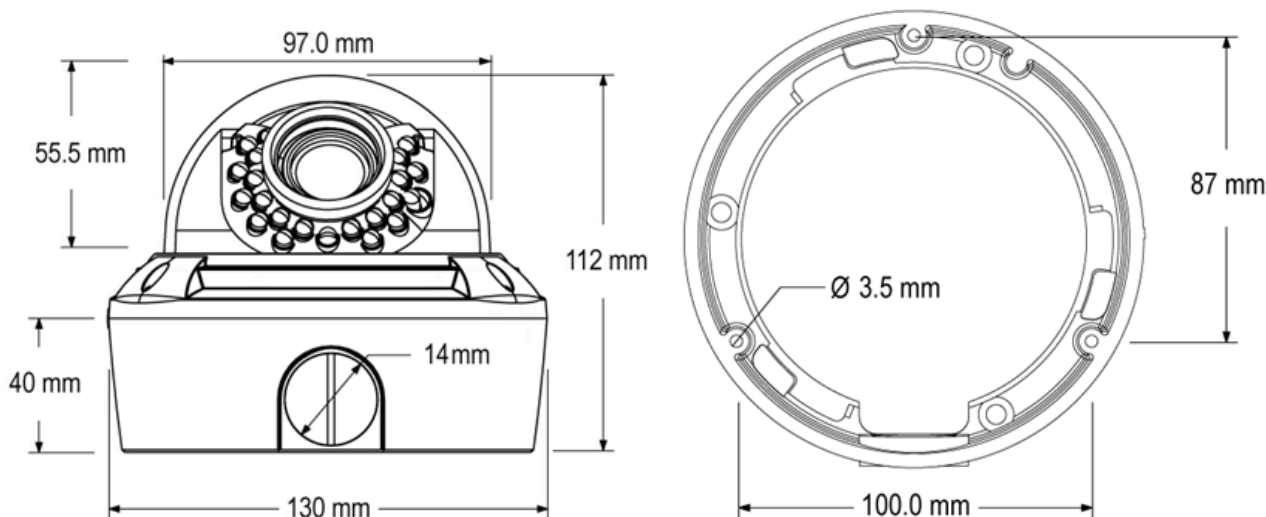
INFORMACJE WSTĘPNE

1.2. Dane techniczne

	NVIP-2DN5041V/IRH-1P	NVIP-3DN5041V/IRH-1P	NVIP-5DN5041V/IRH-1P
OBRAZ			
Przetwornik obrazu	2.0 MPX, matryca CMOS, 1/2.8"	3.0 MPX, matryca CMOS, 1/3"	5.0 MPX, matryca CMOS, 1/2.5"
Liczba efektywnych pikseli	1920 x 1080	2048 x 1536	2592 x 1944
Czułość	0,1 lx/F=1.2 - tryb kolorowy, 0,01 lx/F=1.2 - tryb kolorowy (DSS), 0 lx - IR włączony	0,5 lx/F=1.2 - tryb kolorowy, 0,005 lx/F=1.2 - tryb kolorowy (DSS), 0 lx - IR włączony	0,5 lx/F=1.2 - tryb kolorowy, 0,01 lx/F=1.2 - tryb kolorowy (DSS), 0 lx - IR włączony
Wydłużona migawka (DSS)	x 5		
Cyfrowa redukcja szumu (DNR)	tak		
OBIEKTYW			
Typ obiektywu	z automatyczną przysłoną typu D, f=3.3 ~ 12 mm/F=1.2		
Poziomy kąt widzenia obiektywu	85° ~ 35°	71° ~ 29°	88° ~ 36°
DZIEN/NOC			
Rodzaj	mechaniczny filtr podczerwieni		
Tryb przełączania	Automatyczny/manualny/czasowy		
SIEĆ			
Rozdzielczość strumienia wideo	1920 x 1080 (FULL HD), 1280 x 720 (HD), 720 x 576 (D1), 640 x 480 (VGA), 640 x 360, 352 x 288 (CIF), 320 x 240 (QVGA), 176 x 144 (QCIF)	2048 x 1536, 1920 x 1080 (FULL HD), 1280 x 720 (HD), 720 x 576 (D1), 640 x 480 (VGA), 640 x 360, 352 x 288 (CIF), 320 x 240 (QVGA), 176 x 144 (QCIF)	2592 x 1944, 2048 x 1536, 1920 x 1080 (FULL HD), 1280 x 720 (HD), 720 x 576 (D1), 640 x 480 (VGA), 640 x 360, 352 x 288 (CIF), 320 x 240 (QVGA), 176 x 144 (QCIF)
Prędkość przetwarzania	30 kl/s dla 1920 x 1080 i niższych	20 kl/s dla 2048 x 1536, 30 kl/s dla 1920 x 1080 i niższych	10 kl/s dla 2592 x 1944, 20 kl/s dla 2048 x 1536 30 kl/s dla 1920 x 1080 i niższych
Tryb wielostrumieniowy	2 strumienie		
Kompresja wideo/audio	H.264, M-JPEG/G.711, RAW_PCM		
Obsługiwane protokoły sieciowe	ONVIF (2.2)/Profile S, HTTP, TCP/IP, IPv4/v6, UDP/IP, RTSP, FTP, DHCP, NTP, PoE, SMTP		
Programy na PC	NOVUS NMS, Internet Explorer, Google Chrome, Opera, Mozilla Firefox		
POZOSTAŁE FUNKCJE			
Menu ekranowe	w oknie przeglądarki, języki: polski, angielski, rosyjski		
Strefy prywatności	5		
Detekcja ruchu	tak		
Prealarm/postalarm	5 MB / 86400 s		
Reakcja na zdarzenia alarmowe	e-mail z załącznikiem, zapis na FTP, zapis na karcie SD, zapis na NAS, aktywacja wyjścia		
OŚWIETLACZ IR			
Liczba LED	12		
Zasięg	15 m		
Kąt świecenia	120°		
INTERFEJSY			
Wyjście wideo	BNC, 1.0 Vp-p, 75 Ohm - do celów serwisowych		
Wejścia/wyjścia audio	1 x RCA/1 x RCA		
Wejścia/wyjścia alarmowe	1/1		
Interfejs sieciowy	1 x Ethernet - złącze RJ-45, 10/100 Mbit/s		
Gniazdo kart pamięci	tak		
PARAMETRY INSTALACYJNE			
Wymiary (mm)	130 (∅) x 112 (wys)		
Masa	870 g		
Obudowa	wandalooporna, aluminiowa, w kolorze białym, klosz z poliwęglanu		
Zasilanie	PoE, 12 VDC		
Pobór mocy	5W, 8W (IR włączony), 12,5W (IR i grzałka włączone)		
Temperatura pracy	-40°C ~ 55°C		
Min. temp. „zimnego startu”	-25°C		
Klasa szczelności	IP 66		

INFORMACJE WSTĘPNE

1.3. Wymiary kamery



1.4. Zawartość opakowania

Po otwarciu należy upewnić się czy w opakowaniu znajdują się następujące elementy:

- Kamera IP
- Torebka z akcesoriami montażowymi
- Łącznik RJ-45
- Kabel testowy BNC
- Skrócona instrukcja obsługi
- Płyta CD z instrukcją obsługi i oprogramowaniem
- Szablon montażowy

Jeżeli którykolwiek z elementów został uszkodzony w transporcie, należy spakować zawartość z powrotem do oryginalnego opakowania i skontaktować się z dostawcą.

UWAGA!

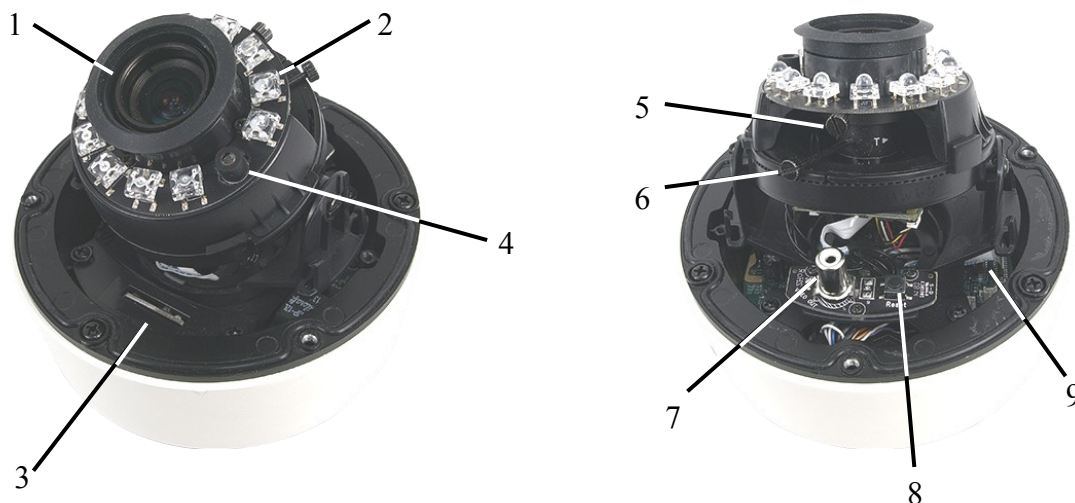
Jeżeli urządzenie przyniesione zostało z pomieszczenia o niższej temperaturze należy odczekać aż osiągnie temperaturę pomieszczenia, w którym ma pracować. Nie wolno włączać urządzenia bezpośrednio po przyniesieniu z chłodniejszego miejsca. Kondensacja zawartej w powietrzu pary wodnej może spowodować zwarcia i w konsekwencji uszkodzenie urządzenia.

Przed uruchomieniem urządzenia należy zapoznać się z opisem i rolą poszczególnych wejść, wyjść oraz elementów regulacyjnych, w które wyposażone są kamery.

URUCHAMIANIE I WSTĘPNA KONFIGURACJA KAMERY IP

2. URUCHAMIANIE I WSTĘPNA KONFIGURACJA KAMERY IP

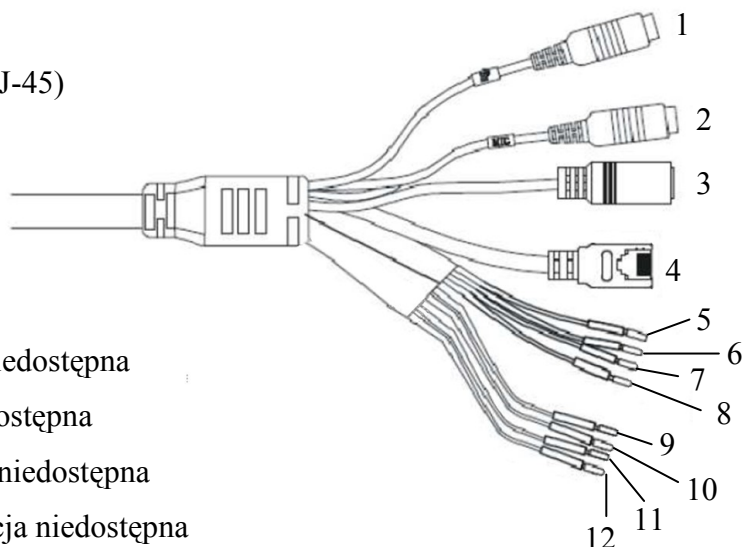
2.1. Opis złączy elektrycznych oraz elementów regulacyjnych



- | | |
|-------------------------|---|
| 1. Obiektyw | 6. Ostrość |
| 2. Diody IR | 7. Wyjście wideo - do celów serwisowych |
| 3. Złącze karty microSD | 8. Przycisk resetu |
| 4. Czujnik światła | 9. Mikrofon |
| 5. Ogniskowa | |

Opis złączy elektrycznych:

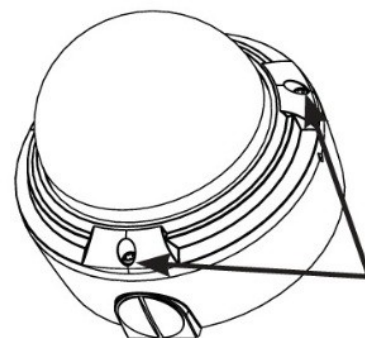
1. Wejście audio RCA (Audio Input)
2. Wyjście audio RCA (Audio Output)
3. Złącze zasilania kamery 12VDC
4. Port Ethernet 100 Mb/s (gniazdo RJ-45)
5. Alarm COM0 (pomarańczowy)
6. Alarm IN0 (żółty)
7. Alarm OUT1 (szary)
8. Alarm COM1 (fioletowy)
9. RS485 RX+ (brązowy) - funkcja niedostępna
10. RS485 RX- (biały) - funkcja niedostępna
11. RS485 TX+ (niebieski) - funkcja niedostępna
12. RS485 RX- (biało-czarny) - funkcja niedostępna



URUCHAMIANIE I WSTĘPNA KONFIGURACJA KAMERY IP

2.2. Montaż kamery

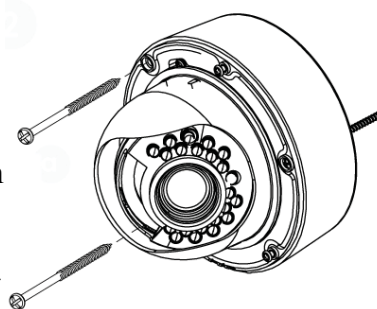
1. Odkręcić śruby klosza kamery korzystając z klucza imbusowego, a następnie zdjąć sam klosz.
2. Przy pomocy dołączonego szablonu montażowego zaznaczyć punkty wiercenia na powierzchni na której ma zostać zamocowana kamera.
3. Wywiercić w zaznaczonych miejscach otwory pod wkręty mocujące.



W następnych krokach możliwe są dwie metody montażu:

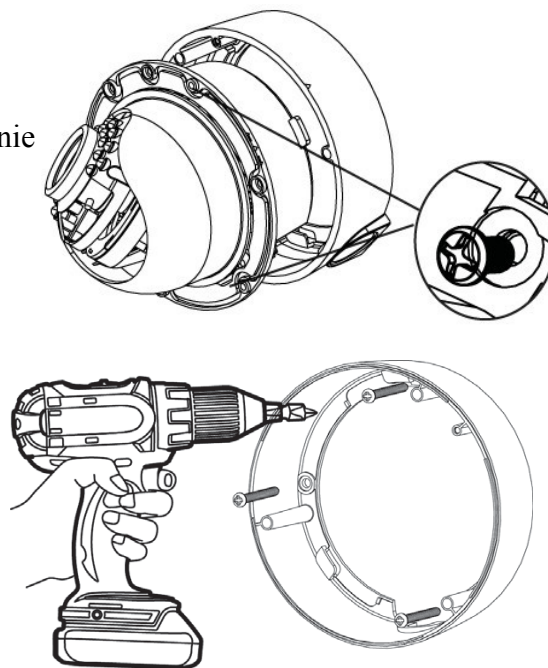
Metoda 1: Montaż bezpośredni

- 4a. Odkręcić dwie dowolne śruby mocujące kamerę do podstawy.
- 5a. Za pomocą dwóch wkrętów M3x72 przykręcić kamerę do podłoża, korzystając z otworów z których wykręcono śruby opisane w poprzednim punkcie.
- 6a. Odkręcić trzecią śrubę mocującą kamerę do podstawy i przykręcić na jej miejsce trzeci wkręt M3x72.



Metoda 2: Montaż podstawy kamery

- 4b. Odkręcić śruby mocujące kamerę do podstawy, a następnie lekko przekręcić samą kamerę przeciwnie do ruchu wskazówek zegara (o około 5°), po czym wysunąć kamerę z podstawy.
- 5b. Za pomocą wkrętów M4x32 przymocować podstawę kamery do podłoża.
- 6b. Zamocować kamerę do podstawy i przykręcić śruby mocujące.

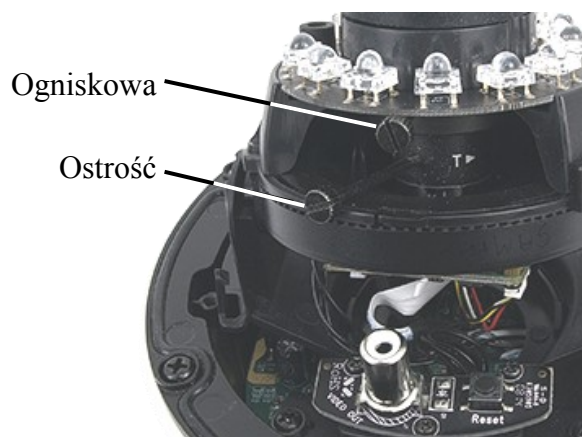


7. Założyć klosz dopasowując otwory na śruby do odpowiednich otworów w podstawie kamery i dokręcić śruby aż do wyczucia oporu.

URUCHAMIANIE I WSTĘPNA KONFIGURACJA KAMERY IP

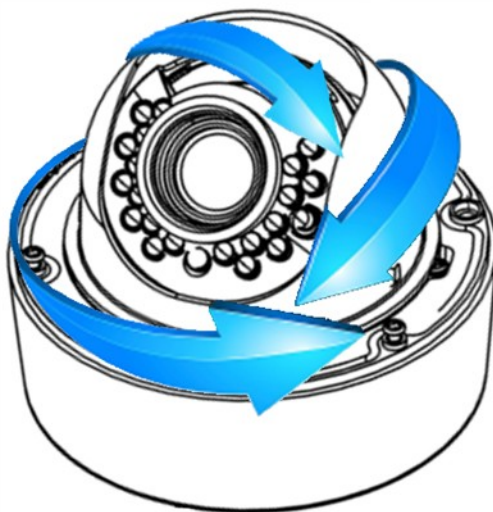
2.3 Ustawienia ostrości i ogniskowej

Aby ustawić ostrość i ogniskową należy:



1. Odkręcić śruby klosza kamery korzystając z klucza imbusowego, a następnie zdjąć sam klosz.
2. Ustawić ostrość i ogniskową.
3. Założyć klosz dopasowując otwory na śruby do odpowiednich otworów w podstawie kamery i dokręcić śruby aż do wyczucia oporu.

Moduł kamerowy zamocowany jest na uchwycie umożliwiającym 3-osiową regulację położenia.



UWAGA!

Należy zwrócić szczególną uwagę, aby podczas regulacji położenia modułu kamerowego nie uszkodzić przewodów łączących go z pozostałymi elementami kamery.

URUCHAMIANIE I WSTĘPNA KONFIGURACJA KAMERY IP

2.4. Uruchomienie kamery IP

W celu uruchomienia kamery należy podłączyć kabel ethernetowy do gniazda sieciowego RJ45 kamery IP, a drugi koniec do przełącznika sieciowego PoE w standardzie zgodnym z IEEE 802.3af.

Możliwe jest również zasilanie kamery z zewnętrznego stabilizowanego zasilacza o parametrach spełniających wymagania kamery.

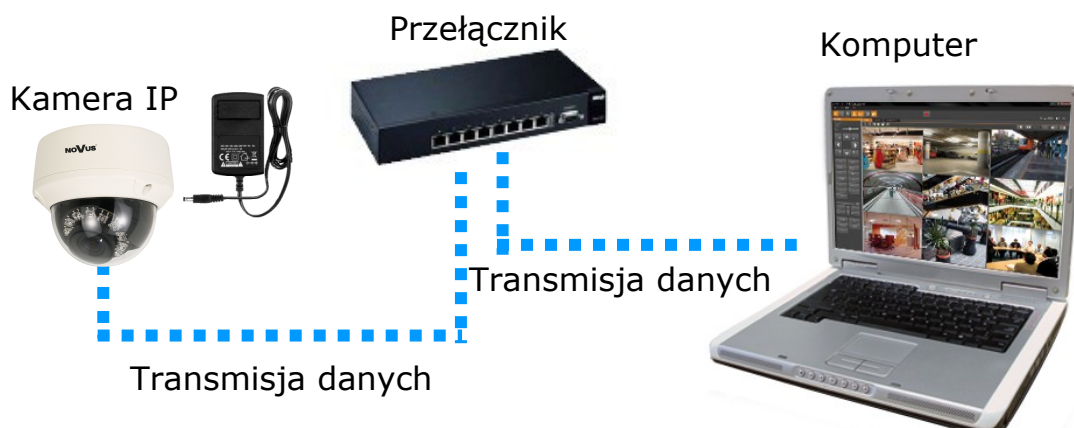
Po upływie ok. 2 min. można przystąpić do łączenia się z kamerą przez przeglądarkę internetową.

Zalecaną metodą uruchomienia i konfiguracji kamery IP jest połączenie jej do komputera PC lub laptopa w wydzielonym przełączniku PoE do którego nie ma podłączonych innych urządzeń. W przypadku zasilania z zewnętrznego zasilacza wystarczy zastosować dowolny przełącznik sieciowy, lub kabel podłączony bezpośrednio do komputera. W celu uzyskania danych potrzebnych do konfiguracji sieci (adres IP, brama, maska sieci itd.) należy skontaktować się z administratorem sieci, w której urządzenie ma pracować.

- Połączenie wykorzystujące przełącznik sieciowy z PoE



- Połączenie wykorzystujące zewnętrzne zasilanie kamery i przełącznik sieciowy



URUCHAMIANIE I WSTĘPNA KONFIGURACJA KAMERY IP

- Połączenie wykorzystujące zewnętrzne zasilanie kamery i kabel ethernetowy skrosowany



Informacja:

Zasilacz zewnętrzny nie wchodzi w skład zestawu, należy się w niego zaopatrzyć we własnym zakresie.

UWAGA:

W celu ochrony kamery przed uszkodzeniem zalecane jest zastosowanie zabezpieczeń przepięciowych. Awarie powstałe w wyniku przepięć nie podlegają naprawie gwarancyjnej.

2.5. Konfiguracja parametrów przy użyciu przeglądarki internetowej

Konfigurację sieciową kamery można przeprowadzić przy pomocy przeglądarki internetowej.

Domyślne ustawienia sieciowe dla kamer IP serii NVIP-.... to :

1. Adres IP = **192.168.1.200**
2. Maska sieci - **255.255.255.0**
3. Brama - **192.168.1.1**
4. Nazwa użytkownika - **root**
5. Hasło - **pass**

Znając adres IP kamery należy ustawić adres IP komputera w taki sposób aby oba urządzenia pracowały w jednej podsieci (dla adresu IP kamery 192.168.1.200 jako adres IP komputera PC możemy ustawić adres z zakresu 192.168.1.0 - 192.168.1.254, np.: 192.168.1.60). Niedopuszczalne jest ustawianie adresu komputera takiego samego jak adres kamery.

Wykorzystując połączenie przez przeglądarkę internetową Internet Explorer lub oprogramowanie NMS należy ustawić docelową konfigurację sieciową (adres IP, maskę sieci, bramę, serwery DNS) lub włączyć tryb pracy DHCP pozwalający na pobranie adresu IP z serwera DHCP (wymagany jest wówczas działający serwer DHCP). W przypadku korzystania z serwera DHCP należy upewnić się co do długości okresu dzierżawy adresu IP, jego powiązania z adresem MAC kamery IP w celu uniknięcia zmiany lub utraty adresu IP w czasie pracy urządzenia lub chwilowej awarii sieci / serwera DHCP. Należy pamiętać, że po zmianie adresu IP kamera zostanie zresetowana i trzeba wpisać nowy adres w przeglądarce internetowej.

Po konfiguracji ustawień sieciowych pozwalających na bezkonfliktową pracę urządzenia, kamerę IP możemy podłączyć do sieci docelowej.

POŁĄCZENIA SIECIOWE ZA POMOCĄ PRZEGLĄDARKI WWW

3. POŁĄCZENIA SIECIOWE ZA POMOCĄ PRZEGLĄDARKI WWW

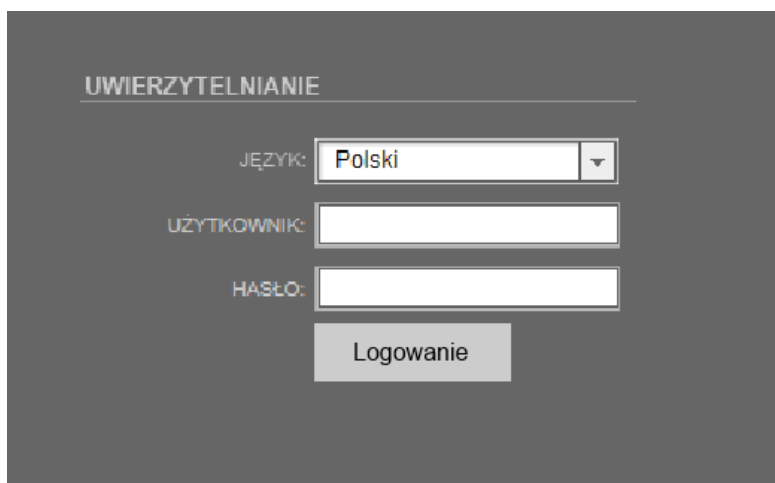
3.1. Zalecana konfiguracja komputera PC do połączeń przez przeglądarkę WWW

Poniższe wymagania dotyczą połączenia z kamerą IP przy założeniu wyświetlania obrazu wideo w rozdzielczości 1920x1080 dla 25kl/s.

1. Procesor **Intel Pentium IV 3 GHz** lub wyższy
2. Pamięć **RAM min. 512 MB**
3. Karta grafiki (dowolna obsługująca wyświetlanie **Direct 3D z min. 128MB pamięci RAM**)
4. System operacyjny **Windows XP / Windows Vista / Windows 7 / Windows 8**
5. **Direct X** w wersji **9.0** lub wyższej
6. Karta sieciowa **10/100/1000 Mb/s**

3.2. Połączenie sieciowe z kamerą IP za pomocą przeglądarki WWW

W pasku adresu przeglądarki internetowej należy wpisać adres IP kamery. Jeśli podany adres jest prawidłowy i docelowe urządzenie jest w danej chwili osiągalne zostanie wyświetlone okno logowania do interfejsu sieciowego:



W polu *Language* można wybrać język wyświetlany w menu (dostępne są języki: polski, angielski, rosyjski). Domyślny język to język angielski.

Domyślny użytkownik to **root**, a hasło **pass**. Ze względów bezpieczeństwa zaleca się zmianę domyślnych wartości. Nową nazwę użytkownika i hasło należy zapamiętać lub zapisać w bezpiecznym miejscu.

Do kamery IP można połączyć się używając przeglądarki internetowej Internet Explorer, Mozilla Firefox, Chrome lub Opera. Ustanawianie połączenia sieciowego z kamerą IP wygląda podobnie w przypadku wszystkich wymienionych przeglądarek internetowych.

POŁĄCZENIA SIECIOWE ZA POMOCĄ PRZEGLĄDARKI WWW

Jeśli na komputerze zainstalowany jest Flash Player, ekran główny interfejsu kamery, służący do podglądu obrazu z kamery i jej konfiguracji zostanie automatycznie wyświetlony.

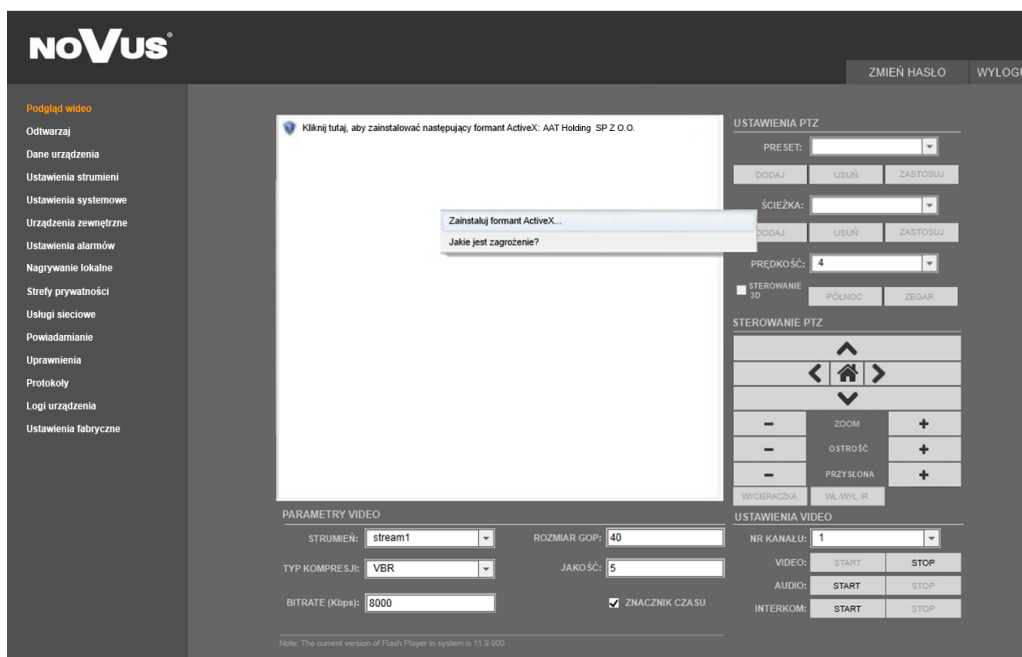
UWAGA: Jeśli na komputerze nie ma zainstalowanego Flash Playera, użytkownik zostanie poproszony o wybór technologii, przy użyciu której będzie wyświetlany obraz z kamery:



Nie działa podgląd wideo

- [Kliknij aby pobrać najnowszą wersję Flash Player'a potrzebną do podglądu wideo!](#)
- [Kliknij, aby odtworzyć podgląd wideo przez ActiveX'y w celu zmniejszenia opóźnień!](#)

• Aby wybrać technologię ActiveX (charakteryzuje się ona mniejszym opóźnieniem niż technologia Flash) należy nacisnąć na *Kliknij, aby odtworzyć podgląd wideo przez ActiveX'y w celu zmniejszenia opóźnień!*. Aby zainstalować wtyczkę ActiveX należy nacisnąć na okno obszaru wideo, wybrać opcję *Zainstaluj formant ActiveX...*, a następnie postępować zgodnie z wyświetlanymi instrukcjami.



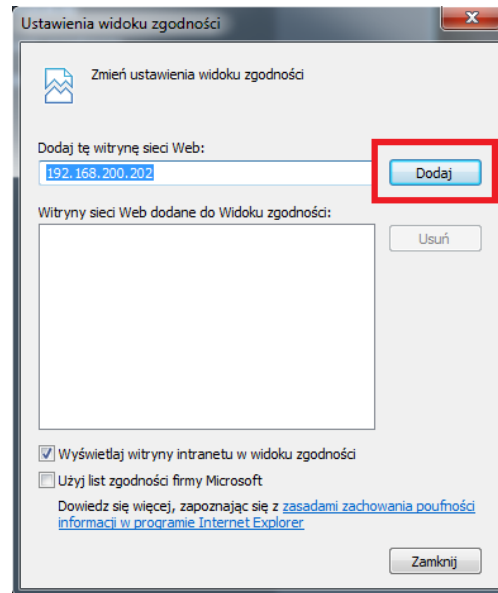
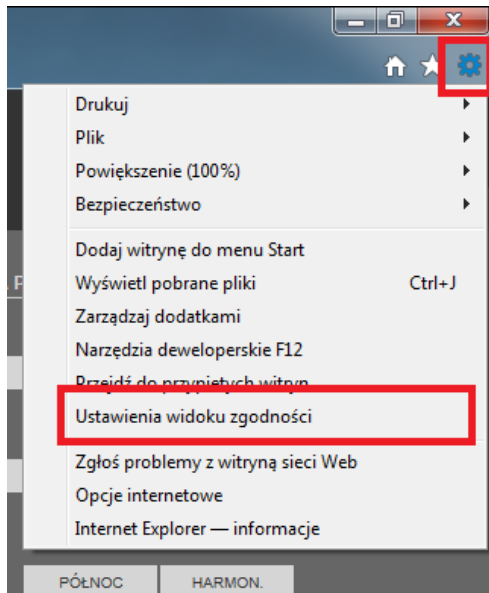
UWAGA: Należy wybrać *Ustawienia Zabezpieczeń w Opcjach Internetowych* przeglądarki IE, oraz włączyć funkcję *Pobieranie niepodpisanych formantów ActiveX*.

• Aby wybrać technologię Flash należy nacisnąć *Kliknij, aby pobrać najnowszą wersję Flash Player'a potrzebną do podglądu wideo!*. Otworzy się okno ze stroną internetową firmy Adobe, z której należy pobrać Flash Playera. Po ukończeniu instalacji należy zrestartować przeglądarkę internetową oraz ponownie połączyć się z kamerą IP.

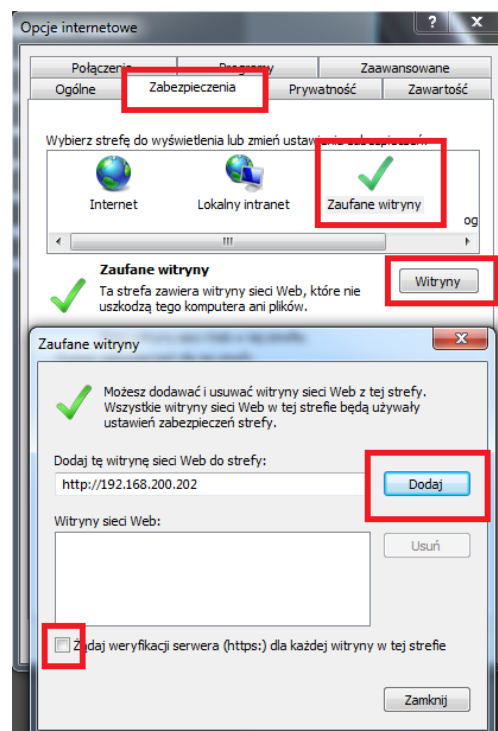
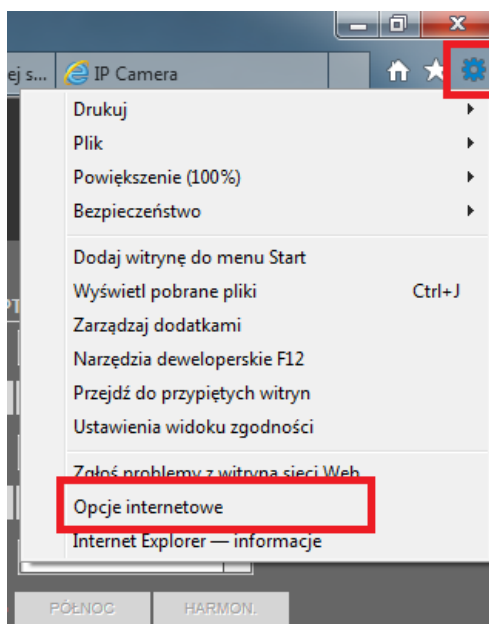
UWAGA: W przypadku pracy w systemie Windows Vista i 7 możliwe jest zablokowanie apletu ActiveX przez Windows Defender i Kontrolę konta użytkownika. W takim przypadku należy zezwolić na uruchamianie dodatku lub wyłączyć działanie blokujących aplikacji.

POŁĄCZENIA SIECIOWE ZA POMOCĄ PRZEGLĄDARKI WWW

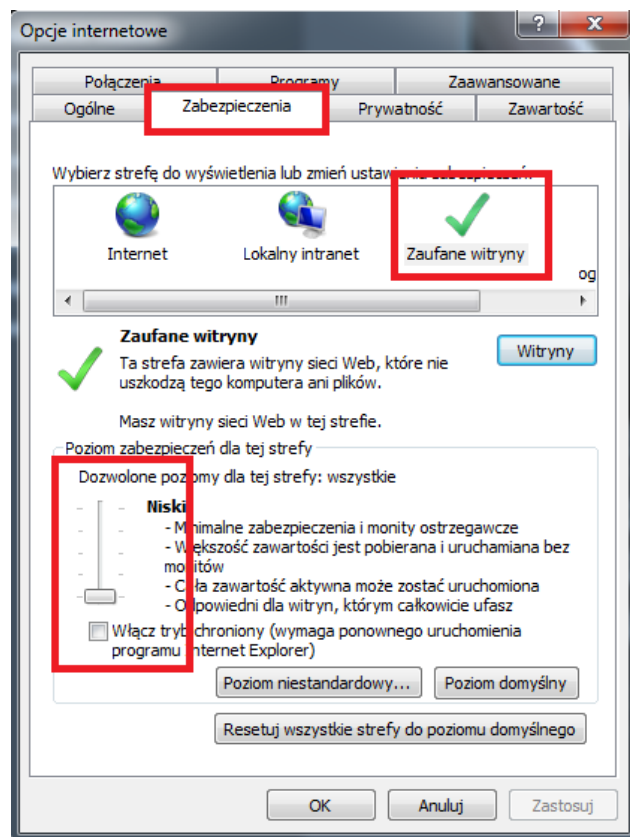
UWAGA: W przypadku pracy w systemie Windows Vista/7/8 z Internet Explorer 11 możliwe jest zablokowanie apletu ActiveX przez ustawienia zabezpieczeń przeglądarki. W tej sytuacji należy: dodać adres IP kamery do Widoku Zgodności (Narzędzia → Ustawienia widoku zgodności, klikamy Dodaj).



Następnie w ustawieniach zabezpieczeń dodajemy adres kamery do zaufanych witryn i obniżamy poziom zabezpieczeń na minimum.



POŁĄCZENIA SIECIOWE ZA POMOCĄ PRZEGLĄDARKI WWW

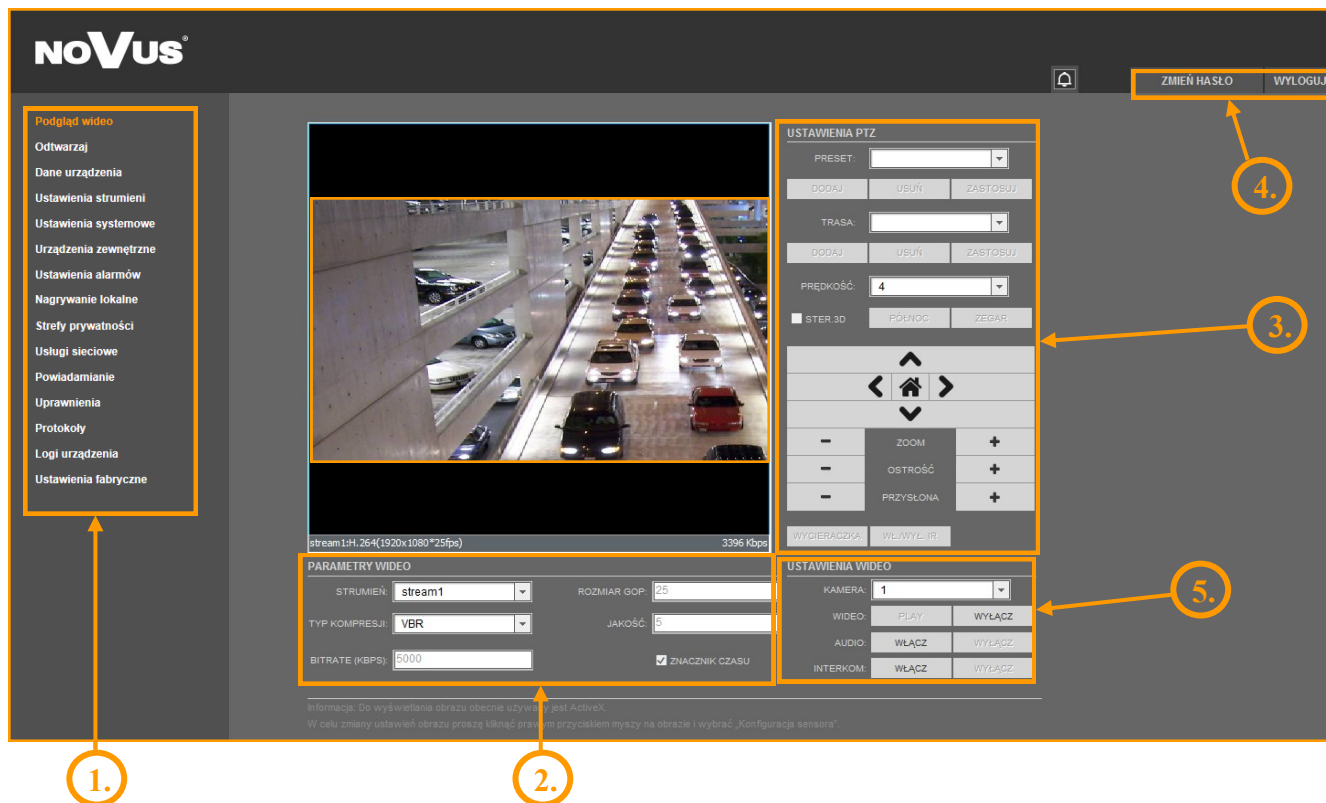


Po wprowadzeniu zmian restartujemy przeglądarkę, ponownie łączymy się z kamerą i logujemy się.

INTERFEJS WWW - PRACA Z KAMERA

4. INTERFEJS WWW - PRACA Z KAMERA

4.1. Wyświetlanie obrazu na żywo



1. Menu konfiguracji kamery

- | | |
|-----------------------|--|
| Podgląd wideo | - podgląd obrazu na żywo |
| Odtwarzaj | - odtwarzanie nagrań z karty SD |
| Dane urządzenia | - informacje o urządzeniu |
| Ustawienia strumieni | - ustawienia parametrów strumieni video i audio |
| Ustawienia systemowe | - ustawienia kamery (np. Sieć Lokalna, Data i Czas) |
| Urządzenia zewnętrzne | - ustawienia urządzeń zewnętrznych (funkcja niedostępna) |
| Ustawienia alarmów | - ustawienia alarmów |
| Nagrywanie lokalne | - ustawienia nagrywania lokalnego |
| Strefy prywatności | - definiowanie do 5 stref prywatności |
| Usługi sieciowe | - ustawienia sieciowe urządzenia |
| Powiadamianie | - ustawienia powiadamiania (np. SMTP) |
| Uprawnienia | - zarządzanie grupami użytkowników i użytkownikami |
| Protokoły | - ustawienia protokołów (np. ONVIF) |
| Logi urządzenia | - logi urządzenia (np. logi alarmowe) |
| Ustawienia fabryczne | - możliwość przywrócenia ustawień fabrycznych urządzenia |

INTERFEJS WWW - PRACA Z KAMERĄ

2. Ustawienia Video

Strumień	- wybór strumienia
Typ kompresji	- informacja o typie kompresji (VBR lub CBR)
Bitrate (kbps)	- informacja o strumieniu wideo (500 ~ 12000 kbps)
Rozmiar GOP	- informacja o interwale ramek kluczowych (1 ~ 60)
Jakość	- informacja o jakości wideo (1 ~ 9)

ZNACZNIK CZASU - bufor wideo (może powodować zwiększenie opóźnienia do maksymalnie 5s)

UWAGA: Funkcja *ZNACZNIK CZASU* nie jest dostępna przy użyciu dodatku Flash.

3. Sterowanie kamerą

Funkcja niedostępna.

4. Pasek menu

Zmień Hasło	- zmiana hasła użytkownika
Wyloguj	- wylogowanie z kamery

5. Ustawienia Wideo

Kamera	- domyślny numer kamery to 1.
Wideo	- włącz/wyłącz obraz wideo
Audio	- włącz/wyłącz dźwięk
Interkom	- włącz/wyłącz interkom

UWAGA: Przy użyciu dodatku Flash funkcja aktywowania dźwięku i interkomu jest niedostępna.

POŁĄCZENIA ELEKTRYCZNE I ZŁĄCZA AKCESORIÓW

5. POŁĄCZENIA ELEKTRYCZNE I ZŁĄCZA AKCESORIÓW

5.1. Podłączenie zasilania kamery

Kamera może być zasilana przez zewnętrzny zasilacz o parametrach zgodnych z zasilaniem kamery lub przez gniazdo sieciowe RJ45 przy wykorzystaniu technologii PoE (IEEE 802.3af). Do zasilenia kamery poprzez PoE należy użyć przełącznika sieciowego lub zasilacza PoE zgodnego ze standardem IEEE 802.3af.

Informacja:

Zasilacz zewnętrzny nie wchodzi w skład zestawu, należy się w niego zaopatrzyć we własnym zakresie.

UWAGA:

W celu ochrony kamery przed uszkodzeniem zalecane jest zastosowanie zabezpieczeń przepięciowych. Awarie powstałe w wyniku przepięć nie podlegają naprawie gwarancyjnej.

5.2. Sterowanie kamerą - RS-485

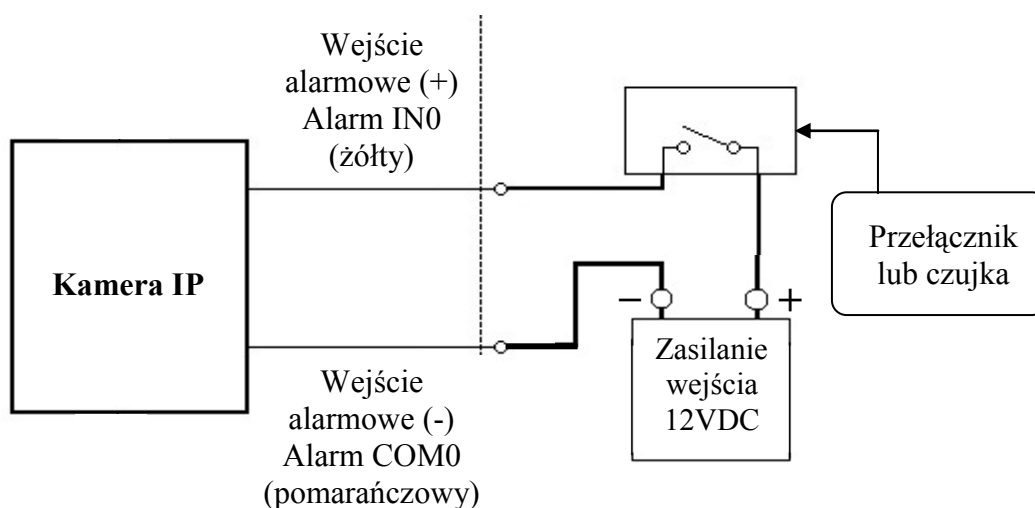
Funkcja niedostępna.

5.3. Opis podłączenia wejść i wyjść alarmowych.

Wejście alarmowe

Kamera aktywuje alarm, gdy na wejściu alarmowym podane zostanie napięcie 12VDC.

- Typowe połączenia wejścia alarmowego



UWAGA!

Przy podłączaniu wejścia alarmowego należy zwrócić uwagę na zachowanie prawidłowej polaryzacji.

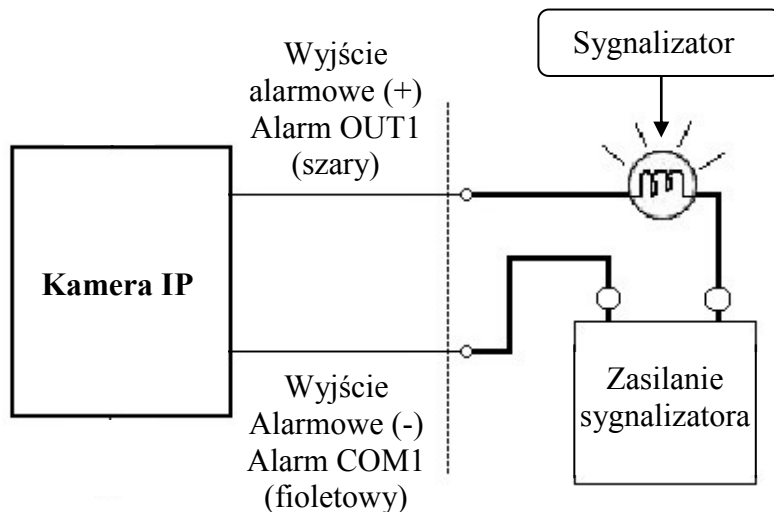
POŁĄCZENIA ELEKTRYCZNE I ZŁĄCZA AKCESORIÓW

Wyjście alarmowe

Wyjście alarmowe kamery jest wyjściem przekaźnikowym.

Maksymalne obciążenie wyjścia alarmowego: 12 VDC / 300mA

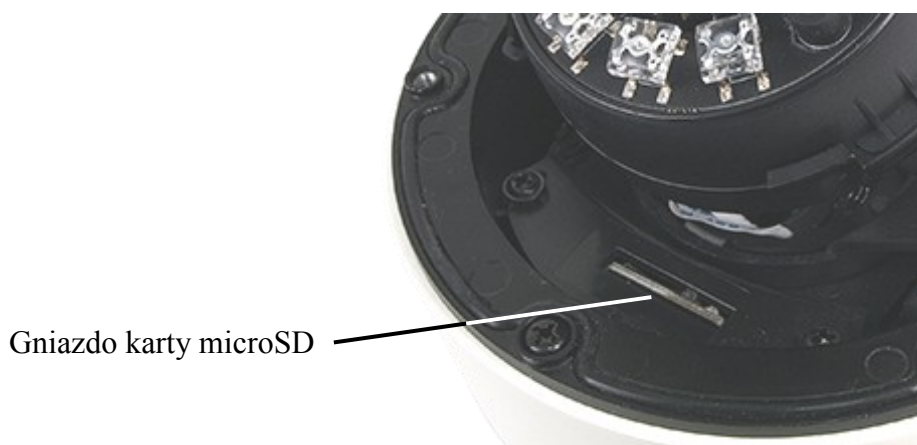
- Typowe połączenia przekaźnikowego wyjścia alarmowego.



5.4. Instalacja karty SD

Kamera obsługuje karty microSD/SDHC o pojemności do 64GB. Zalecane są karty microSD firmy SanDisk™ lub Kingston. W celu prawidłowej instalacji karty należy postępować zgodnie z instrukcją:

- Wyłączyć zasilanie kamery
- Odkręcić śruby klosza kamery, a następnie zdjąć sam klosz
- Zainstalować kartę SD w gnieździe znajdującym się przy podstawie kamery zgodnie z rysunkiem



- Zamocować klosz ponownie
- Włączyć kamerę
- Sprawdzić poprawność zainstalowania karty przez zweryfikowanie jej rozmiaru w zakładce *Nagrywanie Lokalne -> Katalog Nagrywania*

PRZYWRACANIE USTAWIEŃ FABRYCZNYCH KAMERY

6. PRZYWRACANIE USTAWIEŃ FABRYCZNYCH KAMERY

Kamery IP firmy NOVUS umożliwiają resetowanie ustawień:

- programowo (z poziomu przeglądarki)
- sprzętowo (przy użyciu przycisku reset)

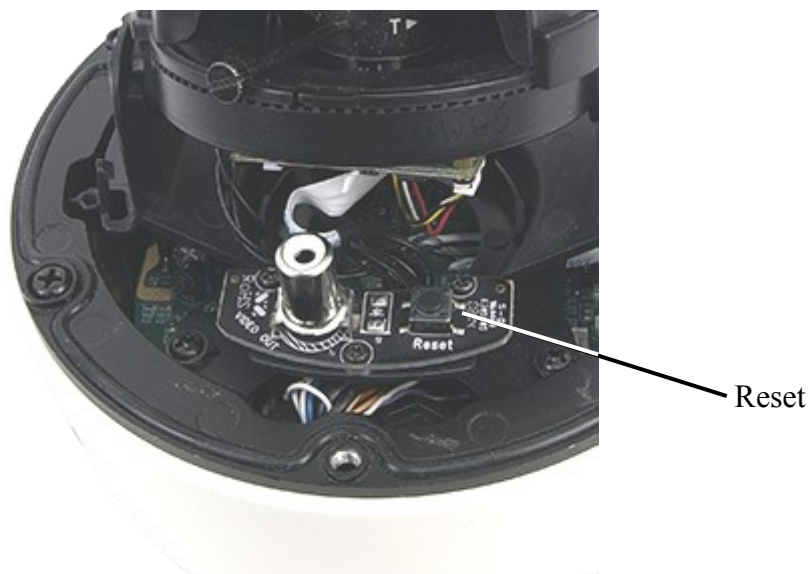
6.1. Programowe przywracanie ustawień fabrycznych kamery IP

Przywracanie ustawień fabrycznych kamery IP powoduje przywrócenie wszystkich domyślnych ustawień kamery (opcjonalnie z pominięciem ustawień sieciowych). Kamera zostanie ponownie uruchomiona po ok. 2 minutach. Opcja do programowego przywrócenia ustawień fabrycznych znajduje się w zakładce *Ustawienia fabryczne*.

6.2. Przywracanie ustawień fabrycznych kamery IP (sprzętowo)

W celu sprzętowego przywrócenia ustawień fabrycznych kamery IP należy postępować zgodnie z instrukcją:

- Odkręcić śruby klosza kamery, a następnie zdjąć sam klosz
- Nacisnąć przycisk *RESET* i przytrzymać przez 5 sekund



- Zwolnić przycisk
- Zamocować klosz ponownie
- Zalogować się ponownie po ok. 2 minutach używając domyślnego adresu IP (<http://192.168.1.200>), nazwy użytkownika (root) i hasła (pass)

NOVUS[®]

AAT Holding sp. z o.o., ul. Puławska 431, 02-801 Warszawa, Polska
tel.: 22 546 07 00, faks: 22 546 07 59
www.novuscctv.com

2014-08-07 TF MM