

# User's manual (short)



**NVIP-2DN5000H/IR-1P**  
**NVIP-3DN5000H/IR-1P**  
**NVIP-5DN5000H/IR-1P**

**NOVUS<sup>®</sup>**

## IMPORTANT SAFEGUARDS AND WARNINGS

---

---

### EMC (2004/108/EC) and LVD (2006/95/EC ) Directives



Our products are manufactured to comply with requirements of the following directives and national regulations implementing the directives:

- Electromagnetic compatibility EMC 2004/108/EC.
- Low voltage LVD 2006/95/EC with further amendment. The Directive applies to electrical equipment designed for use with a voltage rating of between 50VAC and 1000VAC as well as 75VDC and 1500VDC.

### WEEE Directive 2002/96/EC



#### Information on Disposal for Users of Waste Electrical and Electronic Equipment

This appliance is marked according to the European 1000VAC Directive on Waste Electrical and Electronic Equipment (2002/96/EC) and further amendments. By ensuring this product is disposed of correctly, you will help to prevent potential negative consequences for the environment and human health, which could otherwise be caused by inappropriate waste handling of this product.

The symbol on the product, or the documents accompanying the product, indicates that this appliance may not be treated as household waste. It shall be handed over to the applicable collection point for used up electrical and electronic equipment for recycling purpose. For more information about recycling of this product, please contact your local authorities, your household waste disposal service or the shop where you purchased the product.

### RoHS Directive 2002/95/EC



Out of concern for human health protection and friendly environment, we assure that our products falling under RoHS Directive regulations, regarding the restriction of the use of hazardous substances in electrical and electronic equipment, have been designed and manufactured in compliance with the above mentioned regulations. Simultaneously, we claim that our products have been tested and do not contain hazardous substances whose exceeding limits could have negative impact on human health or natural environment

### Information

The device, as a part of professional CCTV system used for surveillance and control, is not designed for self installation in households by individuals without technical knowledge.

### Excluding of responsibility in case of damaging data on a disk or other devices:

The manufacturer does not bear any responsibility in case of damaging or losing data on a disk or other devices during device operation.

### WARNING!

PRIOR TO UNDERTAKING ANY ACTION THAT IS NOT DESCRIBED FOR THE GIVEN PRODUCT IN USER'S MANUAL AND OTHER DOCUMENTS DELIVERED WITH THE PRODUCT, OR IF IT DOES NOT ARISE FROM THE USUAL APPLICATION OF THE PRODUCT, MANUFACTURER MUST BE CONTACTED UNDER THE RIGOR OF EXCLUDING THE MANUFACTURER'S RESPONSIBILITY FOR THE RESULTS OF SUCH AN ACTION.

## IMPORTANT SAFEGUARDS AND WARNINGS

---

---

### **WARNING!**

THE KNOWLEDGE OF THIS MANUAL IS AN INDISPENSIBLE CONDITION OF A PROPER DEVICE OPERATION. YOU ARE KINDLY REQEUSTED TO FAMILIARIZE YOURSELF WITH THE MANUAL PRIOR TO INSTALLATION AND FURTHER DEVICE OPERATION.

### **WARNING!**

USER IS NOT ALLOWED TO DISASSEMBLE THE CASING AS THERE ARE NO USER-SERVICEABLE PARTS INSIDE THIS UNIT. ONLY AUTHORIZED SERVICE PERSONNEL MAY OPEN THE UNIT

INSTALLATION AND SERVICING SHOULD ONLY BE DONE BY QUALIFIED SERVICE PERSONNEL AND SHOULD CONFORM TO ALL LOCAL REGULATIONS

1. Prior to undertaking any action please consult the following manual and read all the safety and operating instructions before starting the device.
2. Please keep this manual for the lifespan of the device in case referring to the contents of this manual is necessary;
3. All the safety precautions referred to in this manual should be strictly followed, as they have a direct influence on user's safety and durability and reliability of the device;
4. All actions conducted by the servicemen and users must be accomplished in accordance with the user's manual;
5. The device should be disconnected from power sources during maintenance procedures;
6. Usage of additional devices and components neither provided nor recommended by the producer is forbidden;
7. You are not allowed to use the camera in high humidity environment (i.e. close to swimming pools, bath tubs, damp basements);
8. Mounting the device in places where proper ventilation cannot be provided (e. g. closed lockers etc.) is not recommended since it may lead to heat build-up and damaging the device itself as a consequence;
9. Mounting the camera on unstable surface or using not recommended mounts is forbidden. Improperly mounted camera may cause a fatal accident or may be seriously damaged itself. The camera must be mounted by qualified personnel with proper authorization, in accordance with this user's manual.
10. Device should be supplied only from a power sources whose parameters are in accordance with those specified by the producer in the camera technical datasheet. Therefore, it is forbidden to supply the camera from a power sources with unknown parameters, unstable or not meeting producer's requirements;

Due to the product being constantly enhanced and optimized, certain parameters and functions described in the manual in question may change without further notice. We strongly suggest visiting the [www.novuscctv.com](http://www.novuscctv.com) website in order to access the newest manual

Data included in the following user's manual is up to date at the time of printing. AAT Holding Sp z o.o. holds exclusive rights to modify this manual. The producer reserves the rights for device specification modification and change in the design without prior notice.

## TABLE OF CONTENTS

---

---

<b>TABLE OF CONTENTS</b> .....	4
<b>1. FOREWORD INFORMATION</b> .....	5
1.1. General Characteristics.....	5
1.2. NVIP-2DN5000H/IR-1P, NVIP-3DN5000H/IR-1P, NVIP-5DN5000H/IR-1P specification.....	6
<b>2. SPECIFICATION</b> .....	7
2.1. Camera dimension .....	7
2.2. Package contents .....	8
2.3. Layout of important camera items .....	9
<b>3. INSTALLATION</b> .....	10
<b>4. START-UP AND INITIAL CAMERA CONFIGURATION</b> .....	12
4.1. Starting the IP camera .....	12
4.2. Initial configuration via the Web browser.....	13
<b>5. NETWORK CONNECTION UTILIZING WEB BROWSER</b> .....	14
5.1. Recommended PC specification for web browser.....	14
5.2. Connection with IP camera via the web browser .....	14
<b>6. WWW INTERFACE - WORKING WITH IP CAMERA</b> .....	16
6.1. Displaying live pictures.....	16
<b>7. ELECTRIC CONNECTORS AND ACCESORIES</b> .....	18
7.1. Connecting power supply to the camera. ....	18
7.2. SD card installation .....	18
<b>8. RESTORING FACTORY DEFAULTS</b> .....	19
8.1. Restoring software factory defaults .....	19
8.2. Restoring hardware factory defaults in IP cameras .....	19

## FOREWORD INFORMATION

---

---

### 1. FOREWORD INFORMATION

#### 1.1. General Characteristics

- Imager resolution: 5.0 megapixels (for NVIP-5DN5000H/IR-1P)  
3.0 megapixels (for NVIP-3DN5000H/IR-1P)  
2.0 megapixels (for NVIP-2DN5000H/IR-1P)
- Mechanical IR cut filter
- IR operation capability
- Min. Illumination from 0.01 lx/F=1.2 (for NVIP-5DN5000H/IR-1P)  
0.005 lx/F=1.2 (for NVIP-3DN5000H/IR-1P)  
0.01 lx/F=1.2 (for NVIP-2DN5000H/IR-1P)
- Digital Slow Shutter (DSS)
- Digital Noise Reduction (DNR)
- Lens type: Auto iris DC, f=3,3 ~ 12mm F=1.2
- Built-in IR illuminator, 10 LEDs
- Privacy zones: 5
- Video compression: H.264, M-JPEG
- Max video processing resolution: 2592x1944 (for NVIP-5DN5000H/IR-1P)  
2048 x 1536 (for NVIP-3DN5000H/IR-1P)  
1920 x 1080 (for NVIP-2DN5000H/IR-1P)
- Triple streaming: compression, resolution, speed and quality defined individually for each video stream
- RTSP protocol support for video transmission
- Pre & post-alarm functions
- Hardware motion detection
- Built-in webserver: camera configuration through the website
- MicroSD/microSDHC card support
- Wide range of responses to alarm events: e-mail with attachment, saving file on FTP server, saving file on microSD/microSDHC card, saving file on NAS
- Network protocol support : HTTP, TCP, IPv4/v6, UDP, FTP, DHCP, NTP, RTSP, PPoE, SMTP
- Software: NMS (NOVUS MANAGEMENT SYSTEM) for video recording, live monitoring, playback and remote IP devices administration
- Power supply: 12VDC, PoE (Power over Ethernet)

## FOREWORD INFORMATION

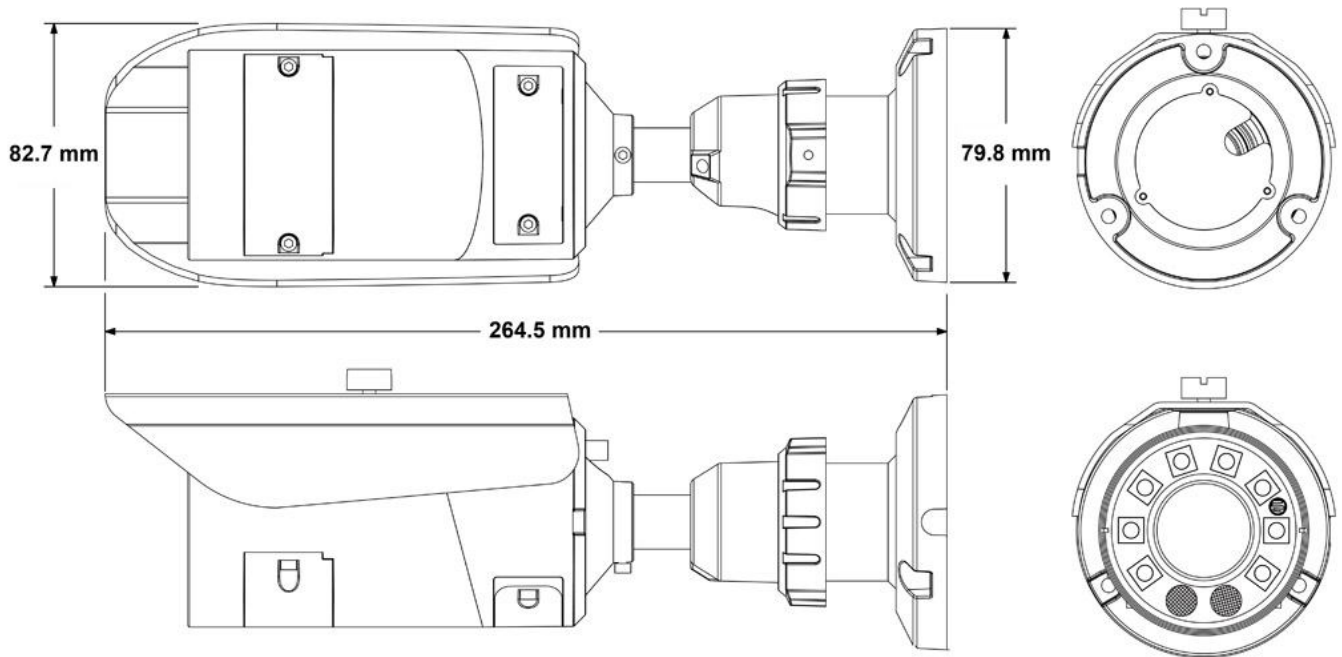
### 1.2. NVIP-2DN5000H/IR-1P, NVIP-3DN5000H/IR-1P, NVIP-5DN5000H/IR-1P specification

	NVIP-2DN5020H/IR-1P	NVIP-3DN5020H/IR-1P	NVIP-5DN5020H/IR-1P
<b>IMAGE</b>			
Pick-up Element	2.0 MPX, matryca CMOS, 1/2.8"	3.0 MPX, matryca CMOS, 1/3"	5.0 MPX, matryca CMOS, 1/2.5"
Number of Effective Pixels	1920 (H) x 1080 (V)	2048 (H) x 1536 (V)	2592 (H) x 1920 (V)
Min. Illumination	0.1 lx/F=1.2 – color mode, 0.01 lx/F=1.2 – color DSS, 0 lx (IR on)	0.5 lx/F=1.2 – color mode, 0.005 lx/F=1.2 – color DSS, 0 lx (IR on)	0.5 lx/F=1.2 – color mode, 0.01 lx/F=1.2 – color DSS, 0 lx (IR on)
Digital Slow Shutter (DSS)	x 5		
Digital Noise Reduction (DNR)	Yes		
<b>LENS</b>			
Type	Auto iris D, f=3.3 ~ 12 mm/F=1.2		
Angle of View (H)	85° ~ 35°	71° ~ 29°	88° ~ 36°
<b>DAY/NIGHT</b>			
Type	Mechanical IR cut filter		
Switching Mode	Auto/manual		
<b>NETWORK</b>			
Stream Resolution	1920 x 1080 (HD 1080p), 1280 x 720 (HD 720p), 640 x 360	2048 x 1536 (QXGA), 1920 x 1080 (HD 1080p), 1280 x 720 (HD 720p), 640 x 480 (VGA), 640 x 360	2592 x 1944, 2048 x 1536 (QXGA), 1920 x 1080 (HD 1080p), 1280 x 720 (HD 720p), 640 x 480 (VGA), 640 x 360
Frame Rate	30 fps for 1920 x 1080 and other resolutions	20 fps for 2048 x 1536 30 fps for 1920 x 1080 and other resolutions	10 fps for 2592 x 1920, 20 fps for 2048 x 1536, 30 fps for 1920 x 1080 and other resolutions
Multistreaming Mode	3 streams		
Video/Audio Compression	H.264, M-JPEG/G.711, RAW_PCM		
Number of Simultaneous Connections	Max. 10		
Network Protocols Support	HTTP, TCP/IP, IPv4/v6, UDP/IP, RTSP, FTP, DHCP, NTP, PPoE, SMTP		
PC Software	NOVUS NMS, Internet Explorer, Google Chrome, Opera, Mozilla Firefox		
<b>OTHER FUNCTIONS</b>			
OSD	IE/Chrome/Opera/Firefox browser, Polish, English, Russian		
Privacy Zones	5		
Motion Detection	Yes		
Prealarm/Postalarm	5 MB/86400 sec.		
System Reaction to Alarm Events	E-mail with attachment, saving file on: FTP server/SD card, NAS drive		
<b>IR LED</b>			
Number	10		
Range	20 m		
Angle	90°		
<b>INTERFACES</b>			
Video Output	RCA - maintenance only		
Audio Input/Output	1 x RCA/1 x RCA		
Network Interface	1 x Ethernet - RJ-45 interface, 10/100 Mbit/s		
Memory Card Slot	Yes		
<b>INSTALLATION PARAMETERS</b>			
Dimensions (mm)	69 (Ø) x 265,5 (dł)		
Weight	820 g		
Enclosure	Aluminium, white, mounting bracket with cable and sunshield in-set included		
Power Supply	PoE, 12 VDC		
Power Consumption	5 W, 12.9 W (IR on)		
Operating Temperature	-10°C ~ 55°C		
Degree of Protection	IP 66		

## SPECIFICATION

### 2. SPECIFICATION

#### 2.1. Camera dimensions



eng

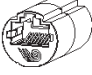

## SPECIFICATION

---

---

### 2.2. Package contents

After you open the package make sure that the following elements are inside:

- IP camera,
- Mounting Screw Kit
- RJ45 Coupler, 
- BNC Test Cable, 
- Mounting Template,
- Short version of user's manual,
- CD containing manual and software.

If any of this elements has been damaged during transport, pack all the elements back into the original box and contact your supplier for further assistance.

### CAUTION!

**If the device was brought from a location with lower temperature, please wait until it reaches the temperature of location it is currently in. Turning the device on immediately after bringing it from a location with lower ambient temperature is forbidden, as the condensing water vapour may cause short-circuits and damage the device as a result.**

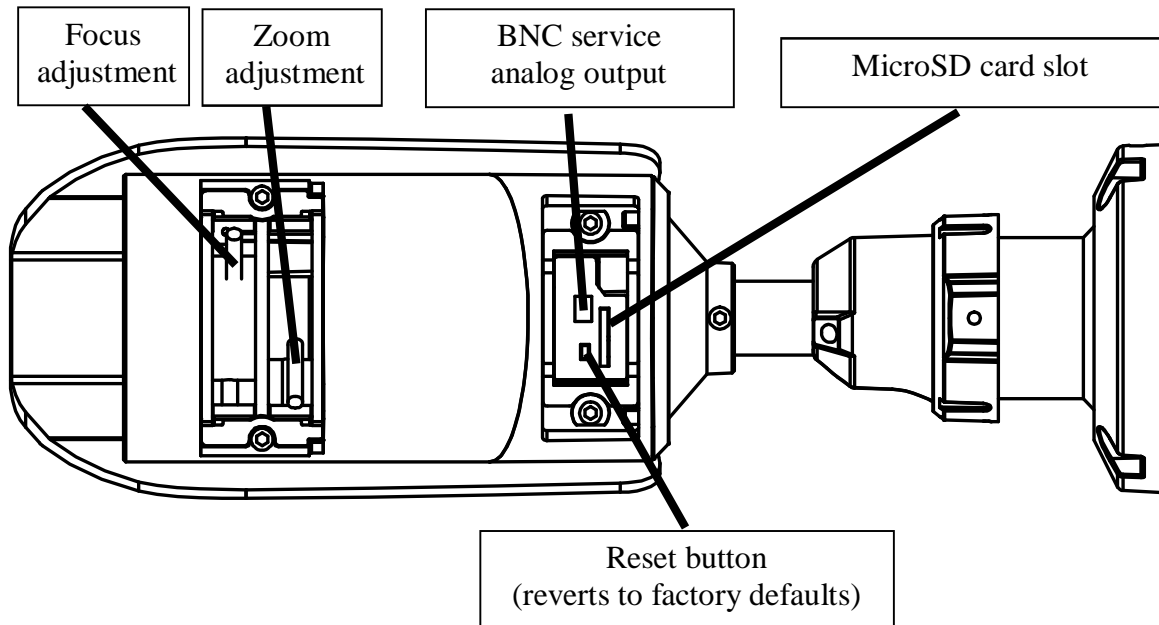
**Before starting the device familiarize yourself with the description and the role of particular inputs, outputs and adjusting elements that the device is equipped with.**



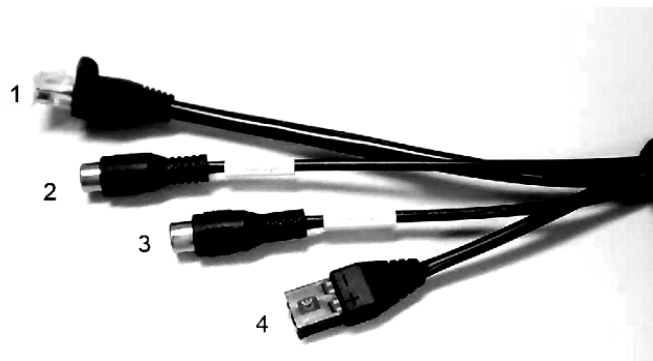
---

---

### 2.3. Layout of important camera items



eng



#### 1. RJ45 Network Interface: (PoE supported).

*Information:*

*Use the included RJ45 coupler to connect to male end of RJ45 Ethernet cable.*

**2. Audio Input (RCA):** Connect to a self-powered microphone for listen-in audio.

**3. Audio Output (RCA):** Connect to an amplifier or self-powered speaker for intercom/2-way audio.

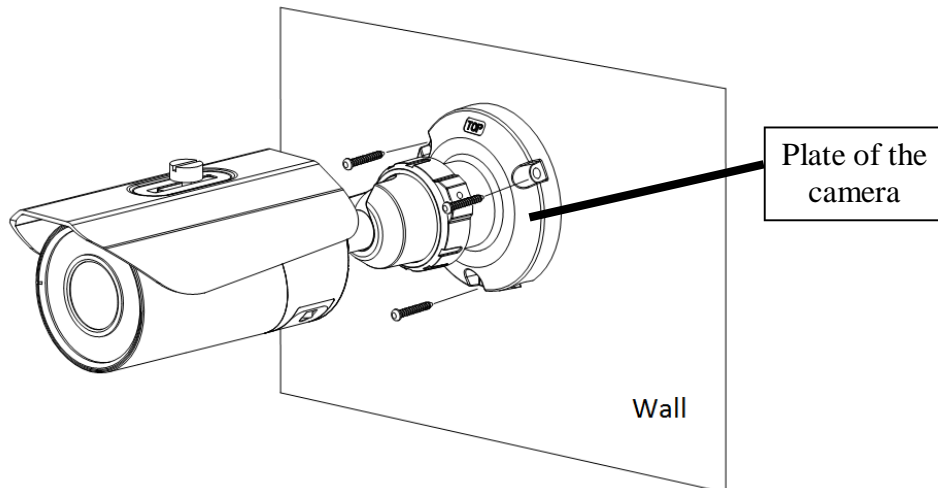
**4. DC12V:** 12V DC power input.

**NOTICE:** Make sure to follow correct polarity (+/-) marked on the power connector when connecting to power.

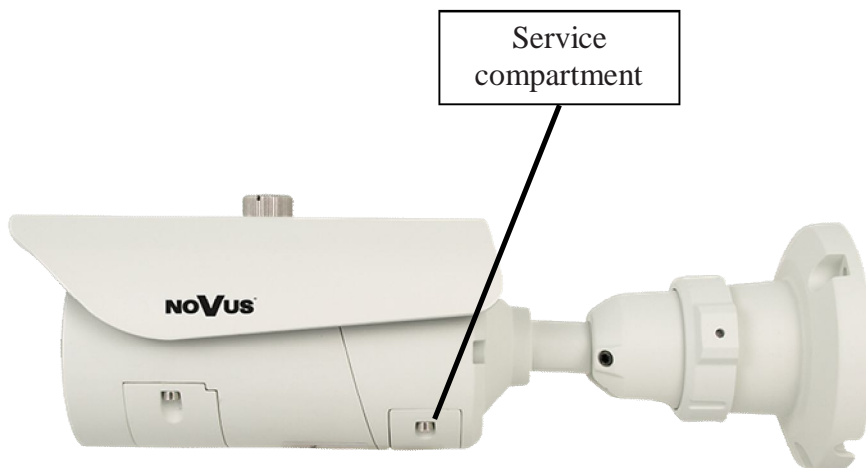
## INSTALLATION

### 3. INSTALLATION

- Put mounting drawing paper to the wall or ceiling and mark drill holes.
- Drill holes using markings.
- Drill additional hole for video and power cables.
- Put video and power cables through a previously drilled hole in the wall/ceiling.
- Using mounting screws from the package, attach the plate of camera to the ceiling/wall.

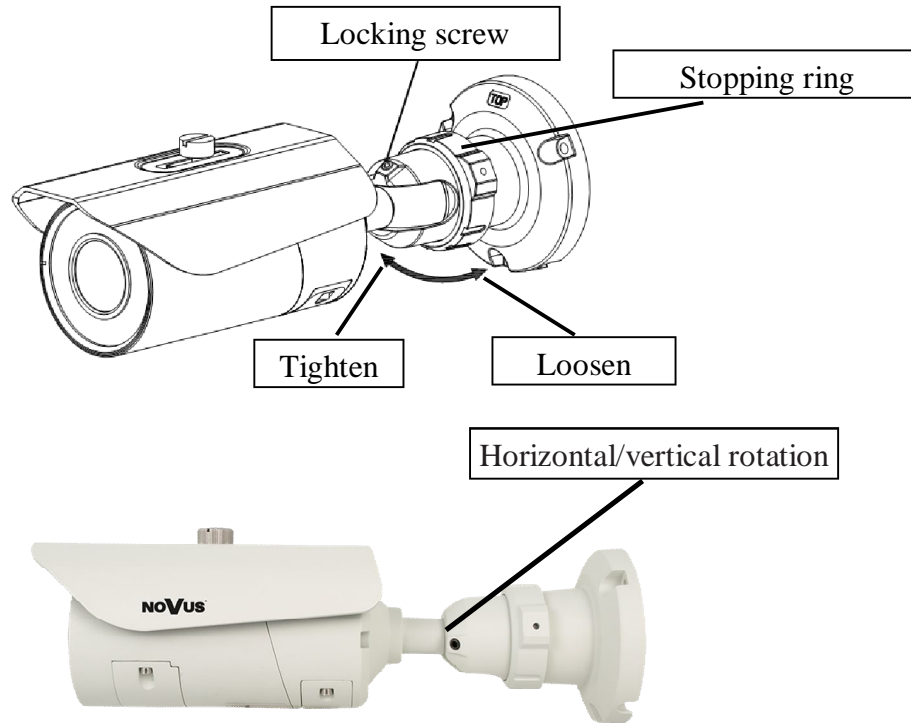


- Unscrew the service compartment screws and open the service compartment. Connect the BNC test cable to video output and monitor.

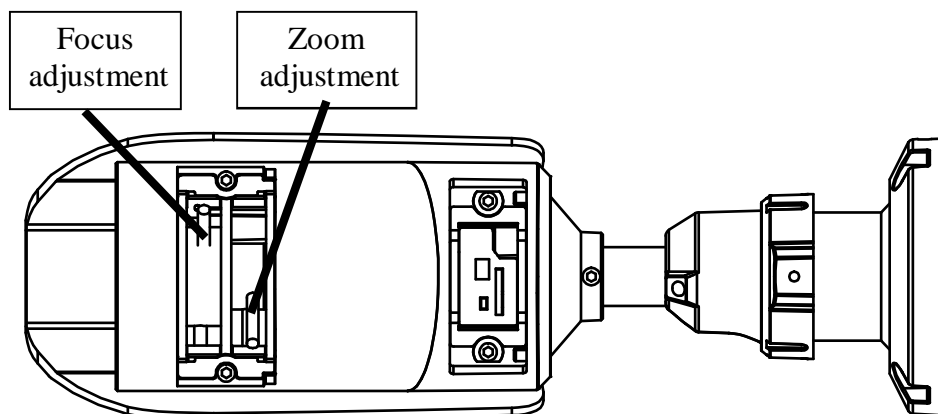


## INSTALLATION

- Unscrew the locking screw and the stopping ring, and then manually point the camera in a desired direction to obtain a desired scene view.



- Firmly screw the locking screw and the stopping ring.
- Adjust the camera zoom and focus as needed. It is recommended to check focus settings in infrared illumination and make correction in colour mode to have proper focus in both modes.



- Close the service compartment and firmly screw the service compartment screws.

## START-UP AND INITIAL CAMERA CONFIGURATION

### 4, START-UP AND INITIAL CAMERA CONFIGURATION

#### 4.1. Starting the IP camera

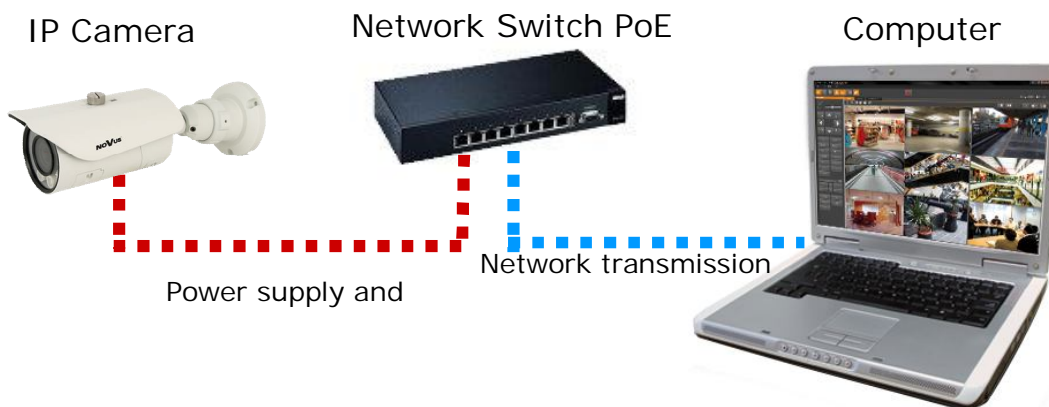
To run NOVUS IP camera you have to connect ethernet cable between camera and network switch with PoE support (IEEE 802.3af).

You can also connect it directly via power supply adapter with parameters compatible with camera power supply specification.

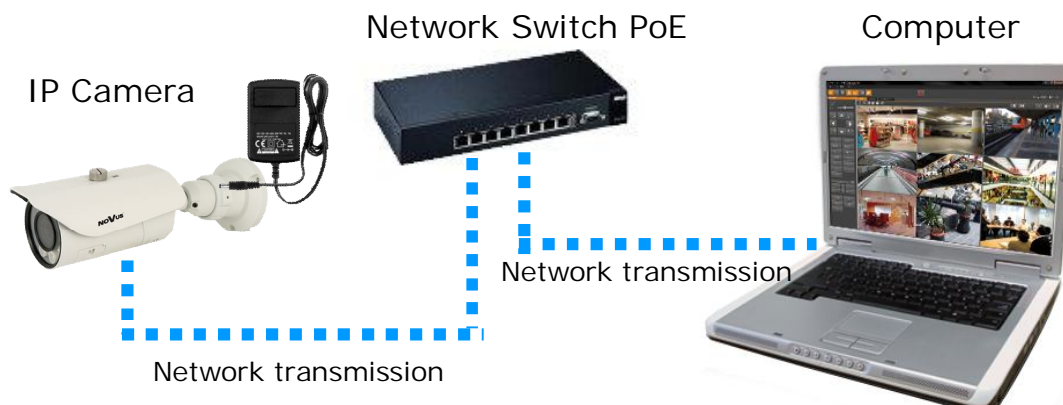
After connecting power supply initialization process is started, which takes about 2 minutes.

The recommended way to start an IP camera and perform its configuration is connect directly to the network switch which is not connected to other devices. To obtain further information about network configuration parameters (IP address, gateway, network mask, etc.) please contact your network administrator.

- Connection utilising network switch with PoE support

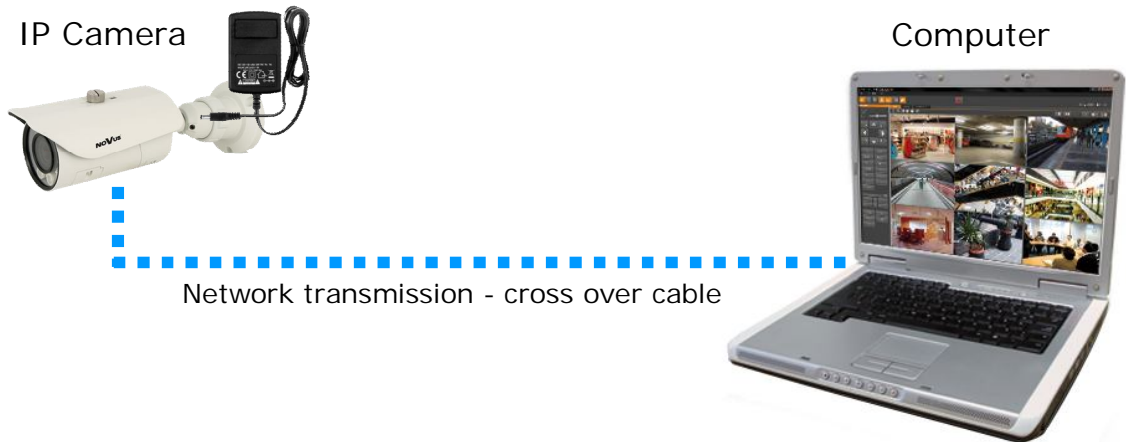


- Connection utilising external power supply and network switch



## START-UP AND INITIAL CAMERA CONFIGURATION

- Connection utilising external power supply directly to the computer



eng

### Information:

Power supply adapter is not included. Please use power adapter with parameters specified in user 'smanual.

### Caution:

**In order to provide protection against voltage surges/lightning strikes, usage of appropriate surge protectors is advised. Any damages resulting from surges are not eligible for service repairs.**

### 4.2. Initial configuration via the web browser

The default network settings for NVIP-2DN5000H/IR-1P, NVIP-3DN5000H/IR-1P, NVIP-5DN5000H/IR-1P IP cameras are :

1. IP address= **192.168.1.200**
2. Network mask - **255.255.255.0**
3. Gateway - **192.168.1.1**
4. User name - **root**
5. Password - **pass**

Knowing the camera's IP address you need to appropriately set PC IP address, so the two devices can operate in one network subnet ( e.g. for IP 192.168.1.1, appropriate address for the camera ranges from 192.168.1.2 to 192.168.1.254, for example 192.168.1.60). It is not allowed to set the same addresses for camera and PC computer

You can either set a network configuration (IP address, gateway, net mask, etc.) of NOVUS IP camera yourself or select DHCP mode (DHCP server is required in this method in target network) by using web browser or by NMS software. When you use DHCP server check IP address lease and its linking with camera MAC address to avoid changing or losing IP address during device operation or network/DHCP server breakdown. You have to remember to use a new camera IP address after changing network parameters.

After network setting configuration has been done, the camera can be connected to a target network.

## NETWORK CONNECTION UTILIZING WEB BROWSER

---

---

### 5. NETWORK CONNECTION UTILIZING WEB BROWSER

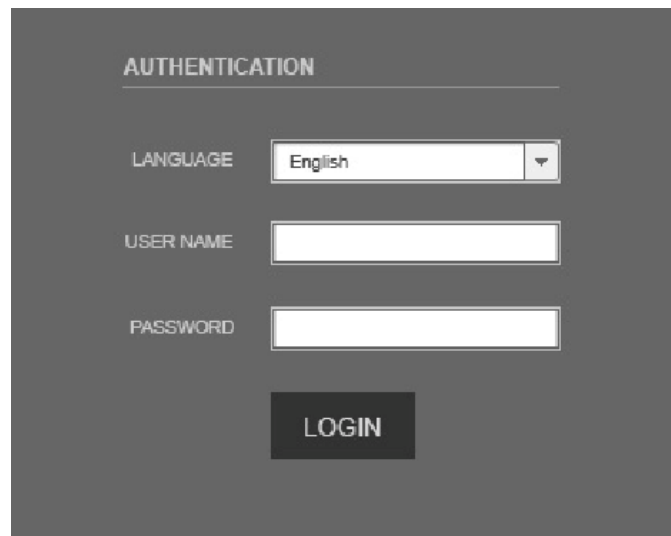
#### 5.1. Recommended PC specification for web browser connections

Requirements below apply to connection with an IP camera, assuming image display in 1920x1080 resolution and 25 fps speed.

1. CPU **Intel Pentium IV 3 GHz** or newer
2. **RAM** Memory min. **512 MB**
3. VGA card (any displaying **Direct 3D with min. 128 MB RAM** memory)
4. OS **Windows XP / Windows Vista / Windows 7 / Windows 8**
5. **Direct X** version **9.0** or newer
6. Network card **10/100/1000 Mb/s**

#### 5.2. Connection with IP camera via the web browser

You have to enter camera IP address in the Internet browser address bar. If IP address is correct user login window will be displayed:



The screenshot shows a web browser authentication interface. At the top, the word 'AUTHENTICATION' is displayed in a light gray font. Below this, there are three rows of input fields. The first row is labeled 'LANGUAGE' and has a dropdown menu with 'English' selected. The second row is labeled 'USER NAME' and has an empty text box. The third row is labeled 'PASSWORD' and has an empty text box. At the bottom center of the form is a dark gray button with the word 'LOGIN' in white capital letters.

Default user is **root** and default password is **pass**.

In the *Language* box you can change the display language (English, Polish or Russian). The default language is English.

For safety reasons, it is recommended to change default user name and password.

It is possible to connect to the camera using Internet Explorer, Mozilla Firefox, Chrome or Opera browsers. Running the IP camera in this browsers are very similar.

## NETWORK CONNECTION UTILIZING WEB BROWSER

If your computer has Flash Player installed, the main screen for the camera web interface opens. From here you can view and configure the camera.

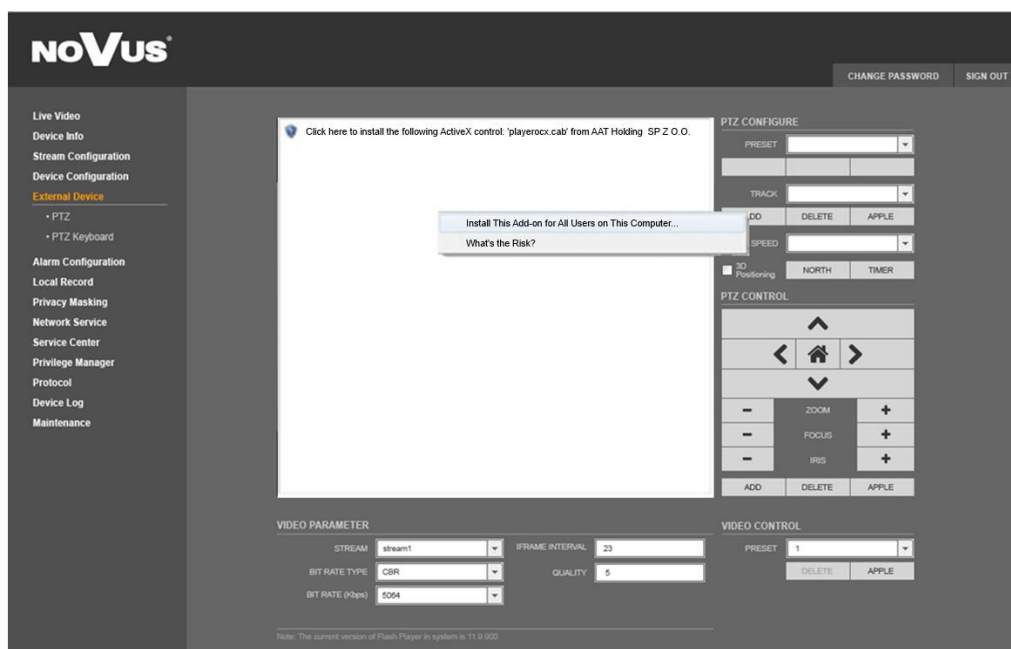
**NOTE:** If your computer does not have Flash Player installed, you will be prompted to select if you would like to use ActiveX or Flash Player to connect to the camera:

[Click here to shift playing live video with short delay widget!](#)



eng

- Click [Click here to shift playing life video with short delay widget!](#) to play live video with ActiveX control to reduce latency (recommended): Uses an ActiveX plug-in to connect to the camera. To install the plug-in, click on the video area, and select *Install this Add-on for all users on this computer*, and follow the prompts.



**NOTE:** Please open the *Security settings* of IE browser, and enable the *Download unsigned ActiveX controls*.

- Click [Please download the latest version of Flash Player](#) to play live video: Opens a link to download Flash Player from Adobe's website. After completing the installation, restart your browser and reconnect to the camera.

**NOTE:** When working in Windows Vista/7/8 the ActiveX applet may be blocked by Windows Defender or User account control. In such case you should allow to run this applet, or simply disable these functions.

## WWW INTERFACE - WORKING WITH IP CAMERA

### 6. WWW INTERFACE - WORKING WITH IP CAMERA

#### 6.1. Displaying live pictures

The screenshot displays the NOvUS web interface. On the left is a navigation menu with 'Live Video' highlighted. The main area shows a live video feed of a parking garage. Below the feed are 'VIDEO PARAMETER' and 'VIDEO CONTROL' panels. On the right, there are 'PTZ CONFIGURE' and 'PTZ CONTROL' panels. At the top right, there are 'CHANGE PASSWORD' and 'SIGN OUT' buttons. Numbered callouts (1-5) indicate key interface elements.

#### 1. Camera settings

- |                      |   |
|----------------------|---|
| Live Video           | - Live video preview  |
| Device Info          | - Device information  |
| Stream Configuration | - Video and audio settings for each stream                      |
| Device Configuration | - Device configuration (e.g. Local Network, Date&Time)          |
| External Device      | - External device configuration (function unavailable)          |
| Alarm Configuration  | - Alarm Configuration (Motion alarm, Alarm I/O)                 |
| Local Record         | - Local Record Configuration                                    |
| Privacy Masking      | - Configuration up to 5 privacy masks                           |
| Network Service      | - Network services configuration (e.g. DDNS)                    |
| Service Center       | - Service center configuration (e.g. SMTP)                      |
| Privilege Manager    | - Users and groups management                                   |
| Protocol             | - Protocols settings (e.g. ONVIF)                               |
| Device Log           | - Device Log contains: Operation Log, Alarm Log and Collect Log |
| Maintenance          | - Device Restart and restoring Default Settings                 |



## WWW INTERFACE - WORKING WITH IP CAMERA

---

---

### 2. Video Parameter

Stream	- Stream ID (choose one from available streams)
Bite Rate Type	- Bit rate type
Bit Rate (kbps)	- Bit rate
I Frame Interval	- I frame interval
Quality	- Quality
USE TIME STAMP	- Video buffer (increases delay when enabled, maximum delay is 5s)

NOTICE: *USE TIME STAMP* function will not be available when using Flash instead of Activex.

### 3. Camera Control

Function unavailable.

### 4. Menu bar

Change Password - Change users password

NOTICE: Default password "pass" can be restored only after restoring default settings of the camera)

Sign Out - Log out from camera

### 5. Video Control

Camera - Default number of the camera is 1.

Video - Turn on/off video

Audio - Turn on/off audio

Interphone - Turn on/off Interphone

NOTICE: *Audio and Interphone* functions will not be available when using Flash instead of Activex.

eng

## ELECTRIC CONNECTORS AND ACCESORIES

---

---

### 7. ELECTRIC CONNECTORS AND ACCESORIES

#### 7.1. Connecting power supply to the camera.

The camera is supplied by using RJ45 network socket. To run NOVUS IP camera you have to connect ethernet cable between camera and network switch with PoE support (IEEE 802.3af). You can also use a power injector compatible with IEEE 802.3af standard.

*Information:*

*Power supply adapter is not included. Please use power adapter with parameters specified in user's manual.*

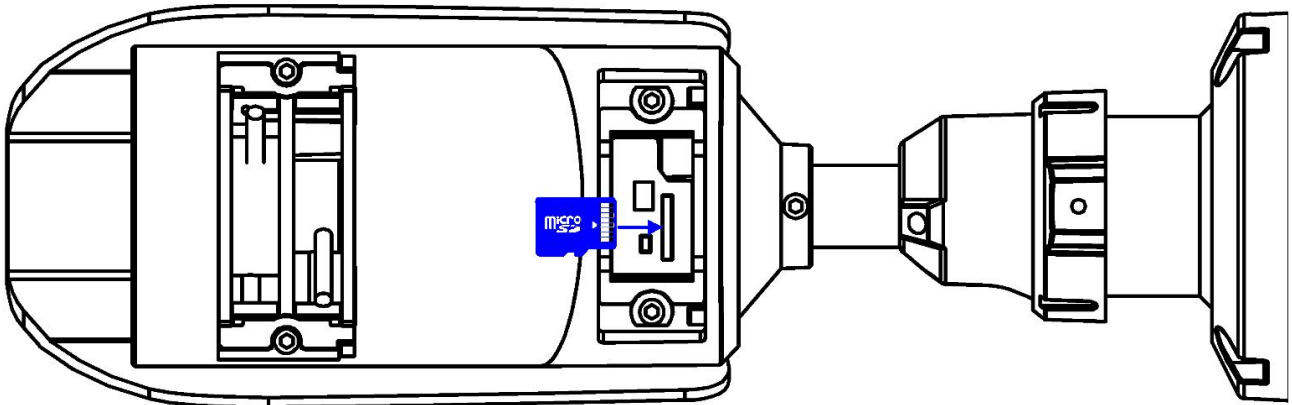
#### **Caution:**

**In order to provide protection against voltage surges/lightning strikes, usage of appropriate surge protectors is advised. Any damages resulting from surges are not eligible for service repairs.**

#### 7.2. SD card installation

Camera supports microSD and microSDHC cards. In order to install the card properly, please follow the instructions below:

- Turn the camera off.
- Unscrew the service compartment screws and open the service compartment.
- Mount microSD/microSDHC card in the socket located at the camera's rear, according to the picture:



- Close the service compartment and firmly screw the service compartment screws.
- Turn the camera on
- Format the card in SDVideo (recommended) or Ext3 file system using a IP camera.

Click *Local Record* ->*Record Directory*. Under *Disk Name*, select *SD1*. Click *Modify*. The *Record Disk Path* menu opens. Uncheck *Enable*. Under *File System*, select *SDVideo* or *Ext3*. Click *Format*.

A window will appear to show the status of the formatting. Wait for the formatting to complete and then click *OK*.

- Check the SD card by checking its capacity in the *Local Record* ->*Record Directory* tab.

## RESTORING FACTORY DEFAULTS

---

---

### 8. RESTORING FACTORY DEFAULTS

NOVUS IP cameras allow to restore defaults via:

- software (web browser level) resetting the camera settings
- hardware (using reset) restores factory defaults.

#### 8.1. Restoring software factory defaults

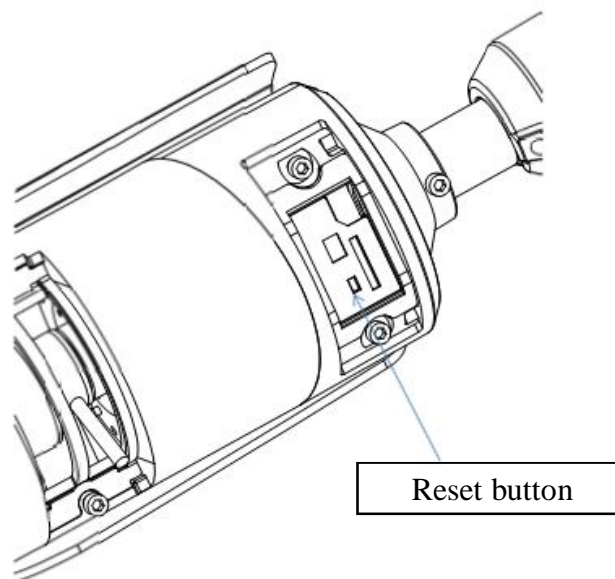
Factory software default restores default settings of the IP camera (optional except network settings). The camera re-starts then, taking about one minute to complete. Option to restore the factory default is described in *MAINTENANCE -> DEFAULT SETTINGS* tab.

eng

#### 8.2. Restoring hardware factory defaults in IP cameras

In order to restore factory defaults for the camera please follow the instructions:

- unscrew the service compartment screws and open the service compartment,
- press the *RESET* button and hold on for 5 seconds,
- release button,
- log on after approx. 1 minute using default IP address (<http://192.168.1.200>) and default user name (root) and password (pass),
- close the service compartment and firmly screw the service compartment screws.



**NOVUS<sup>®</sup>**

2014-02-11 PR, MM

AAT Holding sp. z o.o., 431 Pulawska St., 02-801 Warsaw, Poland  
tel.: +4822 546 07 00, fax: +4822 546 07 59  
[www.novuscctv.com](http://www.novuscctv.com)

instrukcja obsługi  
(skrótowa)



**NVIP-2DN5000H/IR-1P**  
**NVIP-3DN5000H/IR-1P**  
**NVIP-5DN5000H/IR-1P**

**noVus<sup>®</sup>**

## UWAGI I OSTRZEŻENIA

---

---

### Dyrektywy EMC (2004/108/EC) i LVD (2006/95/EC)

#### Oznakowanie CE



Nasze produkty spełniają wymagania zawarte w dyrektywach oraz przepisach krajowych wprowadzających dyrektywy:

Kompatybilność elektromagnetyczna EMC 2004/108/EC.

Niskonapięciowa LVD 2006/95/EC. Dyrektywa ma zastosowanie do sprzętu elektrycznego przeznaczonego do użytkowania przy napięciu nominalnym od 50VAC do 1000VAC oraz od 75VDC do 1500VDC.

#### Dyrektywa WEEE 2002/96/EC

##### Informacja dla użytkowników o pozbywaniu się urządzeń elektrycznych i elektronicznych



Niniejszy produkt został oznakowany zgodnie z Dyrektywą WEEE (2002/96/EC) oraz późniejszymi zmianami, dotyczącą zużytego sprzętu elektrycznego i elektronicznego. Zapewniając prawidłowe złomowanie przyczyniają się Państwo do ograniczenia ryzyka wystąpienia negatywnego wpływu produktu na środowisko i zdrowie ludzi, które mogłoby zaistnieć w przypadku niewłaściwej utylizacji urządzenia.

Symbol umieszczony na produkcie lub dołączonych do niego dokumentach oznacza, że nasz produkt nie jest klasyfikowany jako odpad z gospodarstwa domowego. Urządzenie należy oddać do odpowiedniego punktu utylizacji odpadów w celu recyklingu. Aby uzyskać dodatkowe informacje dotyczące recyklingu niniejszego produktu należy skontaktować się z przedstawicielem władz lokalnych, dostawcą usług utylizacji odpadów lub sklepem, gdzie nabyto produkt.

#### Dyrektywa RoHS 2002/95/EC

##### Informacja dla użytkowników dotycząca ograniczenia użycia substancji niebezpiecznych w sprzęcie elektrycznym i elektronicznym.



W trosce o ochronę zdrowia ludzi oraz przyjazne środowisko zapewniamy, że nasze produkty podlegające przepisom dyrektywy RoHS, dotyczącej użycia substancji niebezpiecznych w sprzęcie elektrycznym i elektronicznym, zostały zaprojektowane i wyprodukowane zgodnie z wymaganiami tej dyrektywy. Jednocześnie zapewniamy, że nasze produkty zostały przetestowane i nie zawierają substancji niebezpiecznych w ilościach mogących niekorzystnie wpływać na zdrowie człowieka lub środowisko naturalne.

#### Informacja

Urządzenie, jako element profesjonalnego systemu telewizji dozorowej służącego do nadzoru i kontroli, nie jest przeznaczone do samodzielnego montażu w gospodarstwach domowych przez osoby nie posiadające specjalistycznej wiedzy.

#### Wyłączenie odpowiedzialności w przypadku uszkodzenia danych zawartych na dysku lub innych urządzeniach:

Producent nie ponosi odpowiedzialności w razie uszkodzenia lub utraty w trakcie eksploatacji Produktu danych zawartych na dyskach lub innych urządzeniach.

#### Obowiązek konsultowania się z Producentem przed wykonaniem czynności nieprzewidzianej instrukcją obsługi albo innymi dokumentami:

Przed wykonaniem czynności, która nie jest przewidziana dla danego Produktu w instrukcji obsługi, innych dokumentach dołączonych do Produktu lub nie wynika ze zwykłego przeznaczenia Produktu, należy, pod rygorem wyłączenia odpowiedzialności Producenta za następstwa takiej czynności, skontaktować się z Producentem.

## WARUNKI BEZPIECZEŃSTWA

---

---

### **UWAGA!**

ZNAJOMOŚĆ NINIEJSZEJ INSTRUKCJI JEST NIEZBĘDNYM WARUNKIEM PRAWIDŁOWEJ EKSPLOATACJI URZĄDZENIA. PROSIMY O ZAPOZNANIE SIĘ Z NIM PRZED PRZYSTĄPIENIEM DO INSTALACJI I OBSŁUGI REJESTRATORA.

### **UWAGA!**

NIE WOLNO DOKONYWAĆ ŻADNYCH SAMODZIELNYCH NAPRAW. WSZYSTKIE NAPRAWY MOGĄ BYĆ REALIZOWANE JEDYNIEM PRZEZ WYKWALIFIKOWANYCH PRACOWNIKÓW SERWISU.

1. Przed zainstalowaniem i rozpoczęciem eksploatacji należy dokładnie zapoznać się z niniejszą instrukcją obsługi i zawartymi w niej wymogami bezpieczeństwa;
2. Uprasza się o zachowanie instrukcji na czas eksploatacji kamery na wypadek konieczności odniesienia się do zawartych w niej treści;
3. Należy skrupulatnie przestrzegać wymogów bezpieczeństwa opisanych w instrukcji, gdyż mają one bezpośredni wpływ na bezpieczeństwo użytkowników i trwałość oraz niezawodność urządzenia;
4. Wszystkie czynności wykonywane przez instalatorów i użytkowników muszą być realizowane zgodnie z opisem zawartym w instrukcji;
5. W czasie czynności konserwatorskich urządzenie musi być odłączone od zasilania;
6. Nie wolno stosować żadnych dodatkowych urządzeń lub podzespołów nie przewidzianych i nie zalecanych przez producenta;
7. Nie wolno używać kamery w środowisku o dużej wilgotności (np. w pobliżu basenów, wani, w wilgotnych piwnicach);
8. Nie należy instalować tego urządzenia w miejscu, gdzie nie można zapewnić właściwej wentylacji (np. zamknięte szafki, itp.), co powoduje zatrzymanie się ciepła i w konsekwencji może doprowadzić do uszkodzenia;
9. Nie wolno umieszczać kamery na niestabilnych powierzchniach. Kamera musi być instalowana przez wykwalifikowany personel o odpowiednich uprawnieniach według zaleceń podanych w niniejszej instrukcji;
10. Urządzenie może być zasilane jedynie ze źródeł o parametrach zgodnych ze wskazanymi przez producenta w danych technicznych kamery. Dlatego też, zabrania się zasilania kamery ze źródeł o nieznanym, niestabilnym lub niezgodnym z wymaganiami określonymi przez producenta parametrach;

### **UWAGA!**

Ponieważ produkt jest stale ulepszany i optymalizowany niektóre parametry i funkcje opisane w załączonej instrukcji mogły ulec zmianie. Prosimy o zapoznanie się z najnowszą instrukcją obsługi znajdującą się na stronie [www.novuscctv.com](http://www.novuscctv.com).

Producent, firma AAT Holding Sp z o.o. zastrzega sobie możliwość wystąpienia błędów w druku oraz zmian parametrów technicznych bez uprzedniego powiadomienia.

## SPIS TREŚCI

---

---

<b>SPIS TREŚCI</b> .....	4
<b>1. INFORMACJE WSTĘPNE</b> .....	5
1.1. Charakterystyka ogólna .....	5
1.2. Dane techniczne NVIP-2DN5000H/IR-1P, NVIP-3DN5000H/IR-1P, NVIP-5DN5000H/IR-1P.....	6
<b>2. DANE TECHNICZNE</b> .....	7
2.1. Wymiary kamery .....	7
2.2. Zawartość opakowania .....	8
2.3 Wygląd i rozmieszczenie ważnych elementów kamer.....	9
<b>3. INSTALACJA</b> .....	10
<b>4. URUCHAMIANIE I WSTĘPNA KONFIGURACJA KAMERY IP</b> .....	12
4.1. Uruchomienie kamery IP.....	12
4.2. Konfiguracja parametrów przy użyciu przeglądarki internetowej.....	13
<b>5. POŁĄCZENIA SIECIOWE ZA POMOCĄ PRZEGLĄDARKI WWW</b> .....	14
5.1. Zalecana konfiguracja komputera PC do połączeń przez przeglądarkę WWW.14	
5.2. Połączenie sieciowe z kamerą IP za pomocą przeglądarki WWW .....	14
<b>6. INTERFEJS WWW - PRACA Z KAMERA</b> .....	16
6.1. Wyświetlanie obrazu na żywo.....	16
<b>7. POŁĄCZENIA ELEKTRYCZNE I ZŁĄCZA AKCESORIÓW</b> .....	18
7.1. Podłączenie zasilania kamery.....	18
7.2. Instalacja karty SD .....	18
<b>8. PRZYWRACANIE USTAWIEŃ FABRYCZNYCH KAMERY</b> .....	19
8.1. Programowe resetowanie ustawień kamery IP.....	19
8.2. Przywracanie ustawień fabrycznych kamery IP (sprzętowe).....	19



## INFORMACJE WSTĘPNE

---

---

### 1. INFORMACJE WSTĘPNE

#### 1.1. Charakterystyka ogólna

- Rozdzielczość przetwornika: 5.0 megapikseli (dla NVIP-5DN5000H/IR-1P)  
3.0 megapiksele (dla NVIP-3DN5000H/IR-1P)  
2.0 megapiksele (dla NVIP-2DN5000H/IR-1P)
- Mechaniczny filtr podczerwieni
- Możliwość pracy w podczerwieni
- Czułość od 0.01 lx/F=1.2 (dla NVIP-5DN5000H/IR-1P)  
0.005 lx/F=1.2 (dla NVIP-3DN5000H/IR-1P)  
0.01 lx/F=1.2 (dla NVIP-2DN5000H/IR-1P)
- Wydłużony czas ekspozycji (DSS)
- Cyfrowa redukcja szumu (DNR)
- Typ obiektywu: z automatyczną przysłoną typu D,  $f=3,3\sim 12$  mm/F=1,2
- Wbudowany oświetlacz podczerwieni, 10 diod LED
- 5 stref prywatności
- Kompresja wideo: H.264, M-JPEG
- Maksymalna rozdzielczość przetwarzania wideo: 2592x1944 (dla NVIP-5DN5000H/IR-1P)  
2048 x 1536 (dla NVIP-3DN5000H/IR-1P)  
1920 x 1080 (dla NVIP-2DN5000H/IR-1P)
- Praca w trybie trzystrumieniowym - możliwość definiowania kompresji, rozdzielczości, prędkości i jakości dla każdego strumienia
- Przesyłanie wideo i audio w standardzie RTSP
- Funkcje przed-alarmu i po-alarmu
- Sprzętowa detekcja ruchu
- Wbudowany web serwer – możliwość podglądu i konfiguracji ustawień kamery przez stronę www
- Obsługa kart microSD/microSDHC
- Możliwość szerokiego definiowania reakcji systemu na zdarzenia alarmowe: e-mail z załącznikiem, zapis plików na serwer FTP, zapis pliku na kartę microSD/microSDHC, zapis plików NAS
- Obsługa protokołów: HTTP, TCP, IPv4/v6, UDP, FTP, DHCP, NTP, RTSP, Ppoe, SMTP
- Oprogramowanie: NMS (NOVUS MANAGEMENT SYSTEM) - do rejestracji wideo, podglądu „na żywo”, odtwarzania oraz zdalnej konfiguracji urządzeń wideo IP
- Zasilanie 12VDC oraz PoE (Power over Ethernet)

NVIP-2DN5000H/IR-1P, NVIP-3DN5000H/IR-1P, NVIP-5DN5000H/IR-1P  
Skrócona instrukcja obsługi ver.1.1

## INFORMACJE WSTĘPNE

### 1.2. Dane techniczne NVIP-2DN5000H/IR-1P, NVIP-3DN5000H/IR-1P, NVIP-5DN5000H/IR-1P

	NVIP-2DN5000H/IR-1P	NVIP-3DN5000H/IR-1P	NVIP-5DN5000H/IR-1P
<b>OBRAZ</b>			
Przetwornik obrazu	2.0 MPX, matryca CMOS, 1/2.8"	3.0 MPX, matryca CMOS, 1/3"	5.0 MPX, matryca CMOS, 1/2.5"
Liczba efektywnych pikseli	1920 (H) x 1080 (V)	2048 (H) x 1536 (V)	2592 (H) x 1920 (V)
Czułość	0.1 lx/F=1.2 - tryb kolorowy, 0.01 lx/F=1.2 - tryb kolorowy (DSS), 0 lx - IR włączony	0.5 lx/F=1.2 - tryb kolorowy, 0.005 lx/F=1.2 - tryb kolorowy (DSS), 0 lx - IR włączony	0.5 lx/F=1.2 - tryb kolorowy, 0.01 lx/F=1.2 - tryb kolorowy (DSS), 0 lx - IR włączony
Wydłużona migawka (DSS)	x 5		
Cyfrowa redukcja szumu (DNR)	tak		
<b>OBIEKTYW</b>			
Typ obiektywu	z automatyczną przysłoną typu D, f=3.3 ~ 12 mm/F=1.2		
Poziomy kąt widzenia obiektywu	85° ~ 35°	71° ~ 29°	88° ~ 36°
<b>DZIEŃ/NOC</b>			
Rodzaj	mechaniczny filtr podczerwieni		
Tryb przełączania	automatyczny/manualny		
<b>SIEĆ</b>			
Rozdzielczość strumienia wideo	1920 x 1080 (HD 1080p), 1280 x 720 (HD 720p), 640 x 360	2048 x 1536 (QXGA), 1920 x 1080 (HD 1080p), 1280 x 720 (HD 720p), 640 x 480 (VGA), 640 x 360	2592 x 1944, 2048 x 1536 (QXGA), 1920 x 1080 (HD 1080p), 1280 x 720 (HD 720p), 640 x 480 (VGA), 640 x 360
Prędkość przetwarzania	30 kl/s dla 1920 x 1080 i niższych	20 kl/s dla 2048 x 1536 30 kl/s dla 1920 x 1080 i niższych	10 kl/s dla 2592 x 1920, 20 kl/s dla 2048 x 1536, 30 kl/s dla 1920 x 1080 i niższych
Tryb wielostrumieniowy	3 strumienie		
Kompresja wideo/audio	H.264, M-JPEG/G.711, RAW_PCM		
Liczba jednoczesnych połączeń	maks. 10		
Obsługiwane protokoły sieciowe	HTTP, TCP/IP, IPv4/v6, UDP/IP, RTSP, FTP, DHCP, NTP, PoE, SMTP		
Programy na PC	NOVUS NMS, Internet Explorer, Google Chrome, Opera, Mozilla Firefox		
<b>POZOSTAŁE FUNKCJE</b>			
Menu ekranowe	w oknie przeglądarki, języki: polski, angielski, rosyjski		
Strefy prywatności	5		
Detekcja ruchu	tak		
Prealarm/postalarm	5 MB/86400 s		
Reakcja na zdarzenia alarmowe	e-mail z załącznikiem, zapis na FTP, zapis na karcie SD, zapis na NAS		
<b>OŚWIETLACZ IR</b>			
Liczba LED	10		
Zasięg	20 m		
Kąt świecenia	90°		
<b>INTERFEJSY</b>			
Wyjście wideo	RCA - do celów serwisowych		
Wejścia/wyjścia audio	1 x RCA/1 x RCA		
Interfejs sieciowy	1 x Ethernet - złącze RJ-45, 10/100 Mbit/s		
Gniazdo kart pamięci	tak		
<b>PARAMETRY INSTALACYJNE</b>			
Wymiary (mm)	69 (Ø) x 265,5 (dł)		
Masa	820 g		
Obudowa	aluminiowa, lakierowana w kolorze białym, uchwyt z przepustem kablowym i osłona przeciwsłoneczna w zestawie		
Zasilanie	PoE, 12 VDC		
Pobór mocy	5 W, 12,9 W (IR włączony)		
Temperatura pracy	-10°C ~ 55°C		
Klasa szczelności	IP 66		

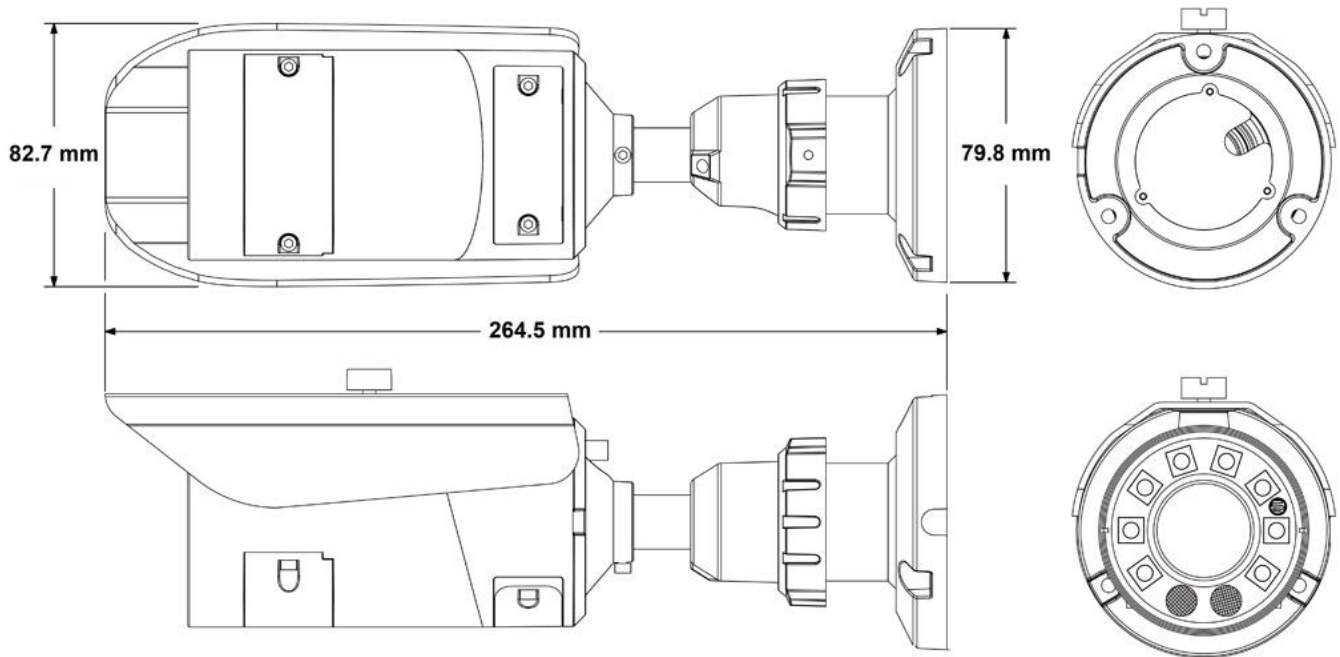
Wszelkie prawa zastrzeżone © AAT Holding sp. z o.o.

## DANE TECHNICZNE

### 2. DANE TECHNICZNE

#### 2.1. Wymiary kamery

Wymiary podano w mm.



pl

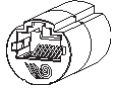

## DANE TECHNICZNE

---

---

### 2.2. Zawartość opakowania

Po otwarciu należy upewnić się czy w opakowaniu znajdują się następujące elementy:

- Kamera IP
- Torebka z akcesoriami montażowymi
- Łącznik RJ45, 
- Kabel testowy BNC, 
- Szablon montażowy,
- Skrócona instrukcje obsługi urządzenia.
- Płyta CD z instrukcją obsługi i oprogramowaniem

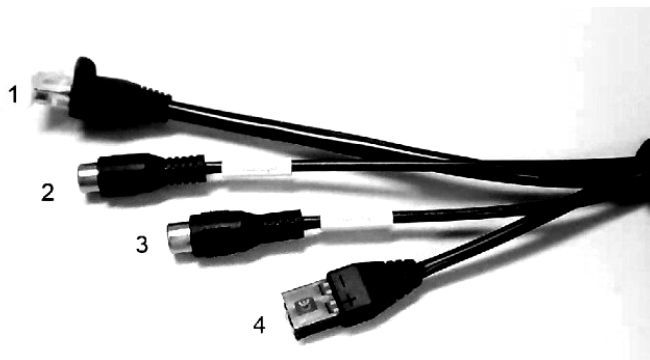
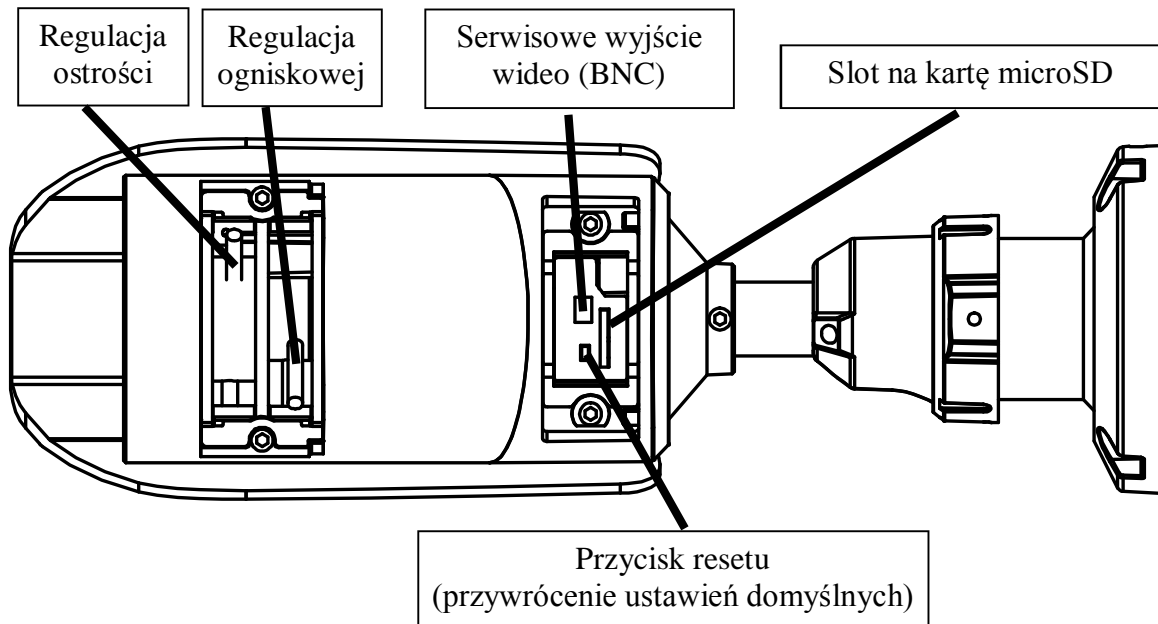
Jeżeli którykolwiek z elementów został uszkodzony w transporcie, należy spakować zawartość z powrotem do oryginalnego opakowania i skontaktować się z dostawcą.

### UWAGA!

Jeżeli urządzenie przyniesione zostało z pomieszczenia o niższej temperaturze należy odczekać aż osiągnie temperaturę pomieszczenia, w którym ma pracować. Nie wolno włączać urządzenia bezpośrednio po przyniesieniu z chłodniejszego miejsca. Kondensacja zawartej w powietrzu pary wodnej może spowodować zwarcia i w konsekwencji uszkodzenie urządzenia.

Przed uruchomieniem urządzenia należy zapoznać się z opisem i rolą poszczególnych wejść, wyjść oraz elementów regulacyjnych, w które wyposażone są kamery.

### 2.3. Wygląd i rozmieszczenie ważnych elementów kamer



#### 1. Interfejs sieciowy RJ45 (obsługa PoE).

*Informacja:*

*Kabel można podłączyć przy użyciu dołączonego do zestawu łącznika RJ45.*

**2. Wejście Audio (RCA):** Należy je podłączyć do mikrofonu z własnym źródłem zasilania.

**3. Wyjście Audio (RCA):** Należy je podłączyć do wzmacniacza lub głośnika z własnym źródłem zasilania.

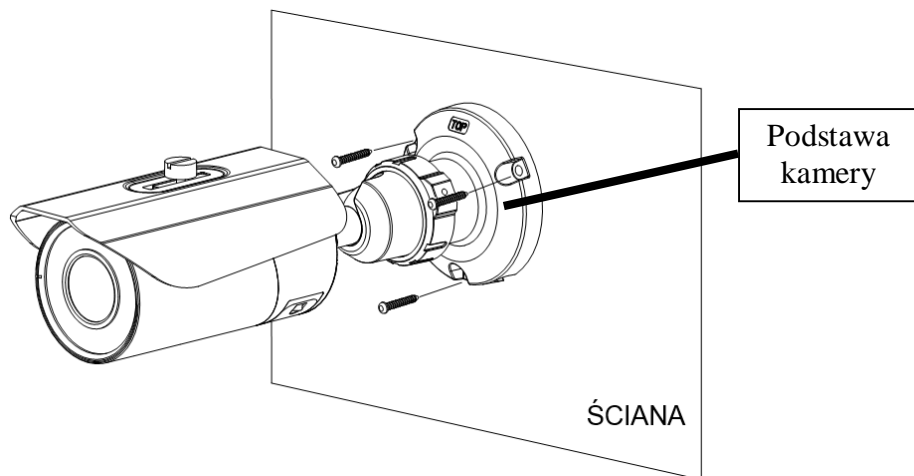
**4. DC12V:** Wejście zasilania 12V DC.

**UWAGA:** Należy zwrócić uwagę na zapewnienie odpowiedniej polaryzacji zasilania!

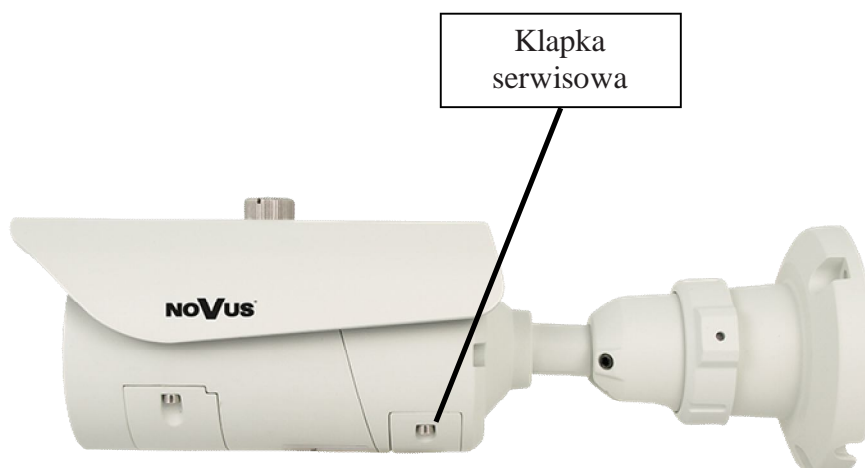
## INSTALACJA

### 3. INSTALACJA

- Przyłożyć szablon montażowy do ściany lub sufitu i zaznaczyć miejsca pod otwory na wkręty mocujące.
- Wywiercić otwory na wkręty mocujące.
- Wywiercić dodatkowy otwór pod kabel wideo i zasilający.
- Przełożyć kable zasilania i wideo przez wcześniej przygotowany otwór w suficie/ścianie.
- Używając wkrętów dołączonych do zestawu, przykręcić podstawę kamery do powierzchni sufitu/ściany.

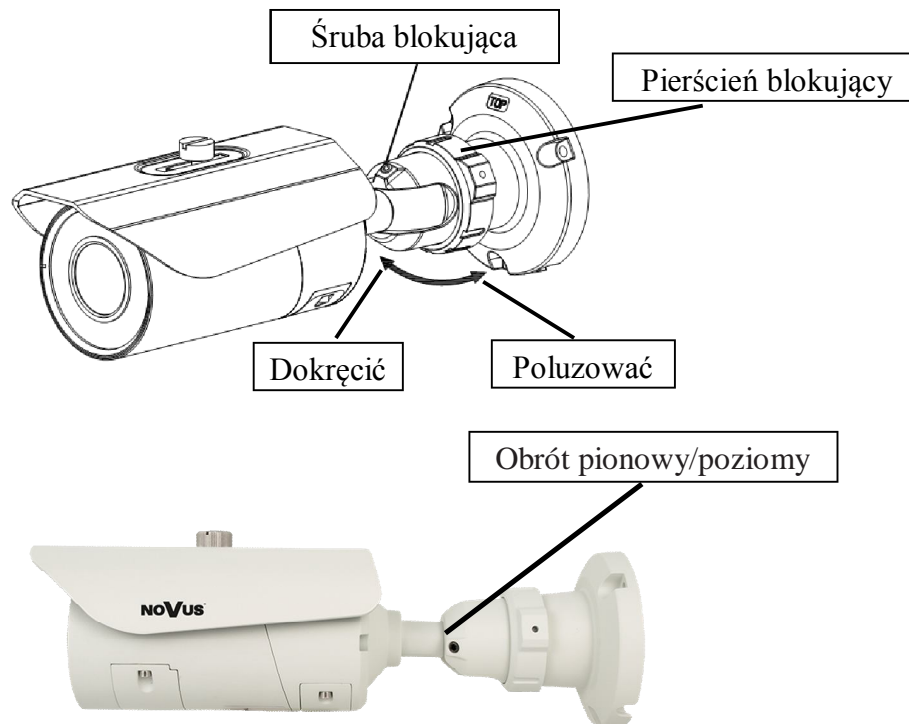


- Odkręcić śruby dociskające klapkę serwisową do obudowy kamery i otworzyć klapkę serwisową. Podłączyć kabel testowy BNC do wyjścia wideo oraz monitora.

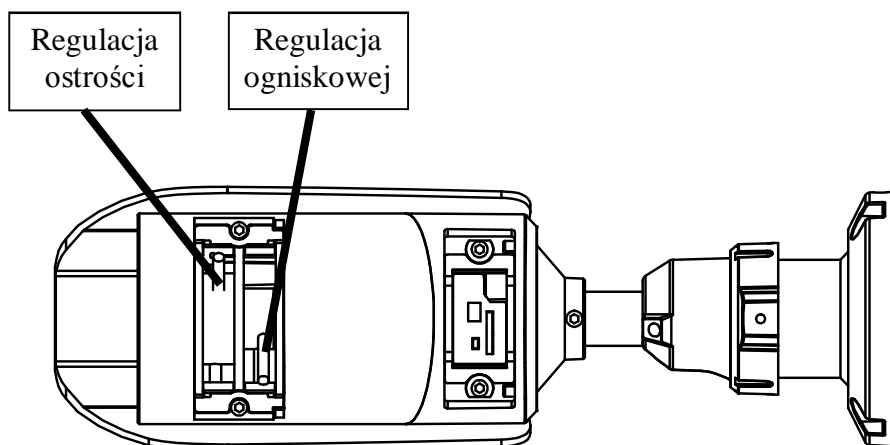


## INSTALACJA

- Odkręcić śrubę blokującą oraz pierścień blokujący i ustawić położenie kamery tak, aby uzyskać pożądany widok na scenę.



- Mocno dokręcić śrubę blokującą oraz pierścień blokujący.
- W razie potrzeby, można dokonać regulacji ogniskowej i ostrości obiektywu. Zaleca się sprawdzenie ostrości obrazu w oświetleniu światłem podczerwonym i ewentualne dokonanie korekty w trybie kolorowym tak aby obraz był ostry w obu trybach pracy kamery.



- Zamknąć klapkę serwisową i mocno dokręcić śruby, które dociskają klapkę do obudowy kamery.

## URUCHAMIANIE I WSTĘPNA KONFIGURACJA KAMERY IP

### 4, URUCHAMIANIE I WSTĘPNA KONFIGURACJA KAMERY IP

#### 4.1. Uruchomienie kamery IP

W celu uruchomienia kamery należy podłączyć kabel ethernetowy do gniazda sieciowego RJ45 kamery IP, a drugi koniec do przełącznika sieciowego PoE w standardzie zgodnym z IEEE 802.3af.

Możliwe jest również zasilanie kamery z zewnętrznego stabilizowanego zasilacza o parametrach spełniających wymagania kamery.

Po upływie ok. 2 min. można przystąpić do łączenia się z kamerą przez przeglądarkę internetową.

Zalecaną metodą uruchomienia i konfiguracji kamery IP jest połączenie jej do komputera PC lub laptopa w wydzielonym przełączniku PoE do którego nie ma podłączonych innych urządzeń. W przypadku zasilania z zewnętrznego zasilacza wystarczy zastosować dowolny przełącznik sieciowy, lub kabel podłączony bezpośrednio do komputera. W celu uzyskania danych potrzebnych do konfiguracji sieci (adres IP, brama, maska sieci itd.) należy skontaktować się z administratorem sieci, w której urządzenie ma pracować.

- Połączenie wykorzystujące przełącznik sieciowy z PoE



- Połączenie wykorzystujące zewnętrzne zasilanie kamery i przełącznik sieciowy





## URUCHAMIANIE I WSTĘPNA KONFIGURACJA KAMERY IP

- Połączenie wykorzystujące zewnętrzne zasilanie kamery i kabel ethernetowy skrosowany



### Informacja:

Zasilacz zewnętrzny nie wchodzi w skład zestawu, należy się w niego zaopatrzyć we własnym zakresie.

### UWAGA:

W celu ochrony kamery przed uszkodzeniem zalecane jest zastosowanie zabezpieczeń przepięciowych. Awarie powstałe w wyniku przepięć nie podlegają naprawie gwarancyjnej.

### 4.2. Konfiguracja parametrów przy użyciu przeglądarki internetowej

Konfigurację sieciową kamery można przeprowadzić przy pomocy przeglądarki internetowej.

Domyślne ustawienia sieciowe dla kamer IP NVIP-2DN5000H/IR-1P, NVIP-3DN5000H/IR-1P, NVIP-5DN5000H/IR-1P to :

1. Adres IP = **192.168.1.200**
2. Maska sieci - **255.255.255.0**
3. Brama - **192.168.1.1**
4. Nazwa użytkownika - **root**
5. Hasło - **pass**

Znając adres IP kamery należy ustawić adres IP komputera w taki sposób aby oba urządzenia pracowały w jednej podsieci (dla adresu IP kamery 192.168.1.200 jako adres IP komputera PC możemy ustawić adres z zakresu 192.168.1.0 - 192.168.1.254, np.: 192.168.1.60). Niedopuszczalne jest ustawianie adresu komputera takiego samego jak adres kamery.

Wykorzystując połączenie przez przeglądarkę internetową Internet Explorer lub oprogramowanie NMS należy ustawić docelową konfigurację sieciową (adres IP, maskę sieci, bramę, serwery DNS) lub włączyć tryb pracy DHCP pozwalający na pobranie adresu IP z serwera DHCP (wymagany jest wówczas działający serwer DHCP). W przypadku korzystania z serwera DHCP należy upewnić się co do długości okresu dzierżawy adresu IP, jego powiązania z adresem MAC kamery IP w celu uniknięcia zmiany lub utraty adresu IP w czasie pracy urządzenia lub chwilowej awarii sieci / serwera DHCP. Należy pamiętać że po zmianie adresu IP kamera zostanie zresetowana i trzeba wpisać nowy adres w przeglądarce internetowej.

Po konfiguracji ustawień sieciowych pozwalających na bezkonfliktową pracę urządzenia, kamerę IP możemy podłączyć do sieci docelowej.

## POŁĄCZENIA SIECIOWE ZA POMOCĄ PRZEGLĄDARKI WWW

### 5. POŁĄCZENIA SIECIOWE ZA POMOCĄ PRZEGLĄDARKI WWW

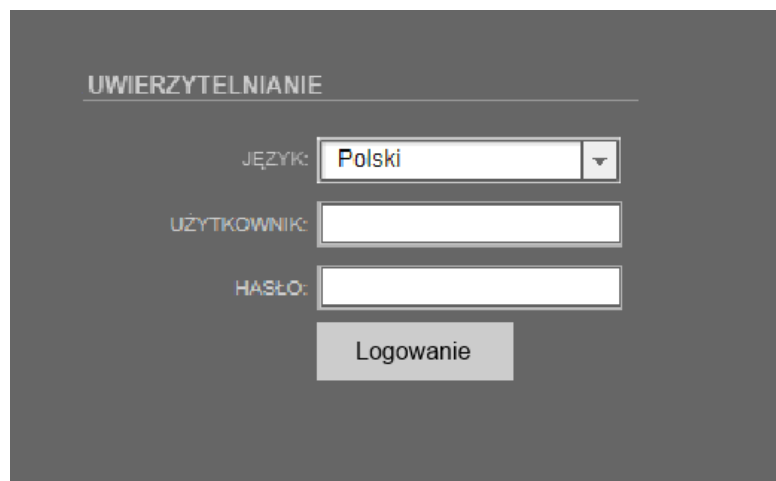
#### 5.1. Zalecana konfiguracja komputera PC do połączeń przez przeglądarkę WWW

Poniższe wymagania dotyczą połączenia z kamerą IP przy założeniu wyświetlania obrazu wideo w rozdzielczości 1920x1080 dla 25kl/s.

1. Procesor **Intel Pentium IV 3 GHz** lub wyższy
2. Pamięć **RAM min. 512 MB**
3. Karta grafiki (dowolna obsługująca wyświetlanie **Direct 3D z min. 128MB pamięci RAM**)
4. System operacyjny **Windows XP / Windows Vista / Windows 7 / Windows 8**
5. **Direct X** w wersji **9.0** lub wyższej
6. Karta sieciowa **10/100/1000 Mb/s**

#### 5.2. Połączenie sieciowe z kamerą IP za pomocą przeglądarki WWW

W pasku adresu przeglądarki internetowej należy wpisać adres IP kamery. Jeśli podany adres jest prawidłowy i docelowe urządzenie jest w danej chwili osiągalne zostanie wyświetlone okno logowania do interfejsu sieciowego:



The image shows a login window titled "UWIERZYTELNIANIE". It contains a language selection dropdown menu currently set to "Polski". Below this are two input fields: "UŻYTKOWNIK:" (Username) and "HASŁO:" (Password). At the bottom of the form is a button labeled "Logowanie" (Login).

W polu *Language* można wybrać język wyświetlany w menu (dostępne są języki: polski, angielski, rosyjski). Domyślny język to język angielski.

Domyślny użytkownik to **root**, a hasło **pass**. Ze względów bezpieczeństwa zaleca się zmianę domyślnych wartości. Nową nazwę użytkownika i hasło należy zapamiętać lub zapisać w bezpiecznym miejscu.

Do kamery IP można połączyć się używając przeglądarki internetowej Internet Explorer, Mozilla Firefox, Chrome lub Opera. Ustanawianie połączenia sieciowego z kamerą IP wygląda podobnie w przypadku wszystkich wymienionych przeglądarek internetowych.

## POŁĄCZENIA SIECIOWE ZA POMOCĄ PRZEGLĄDARKI WWW

Jeśli na komputerze zainstalowany jest Flash Player, ekran główny interfejsu kamery, służący do podglądu obrazu z kamery i jej konfiguracji zostanie automatycznie wyświetlony.

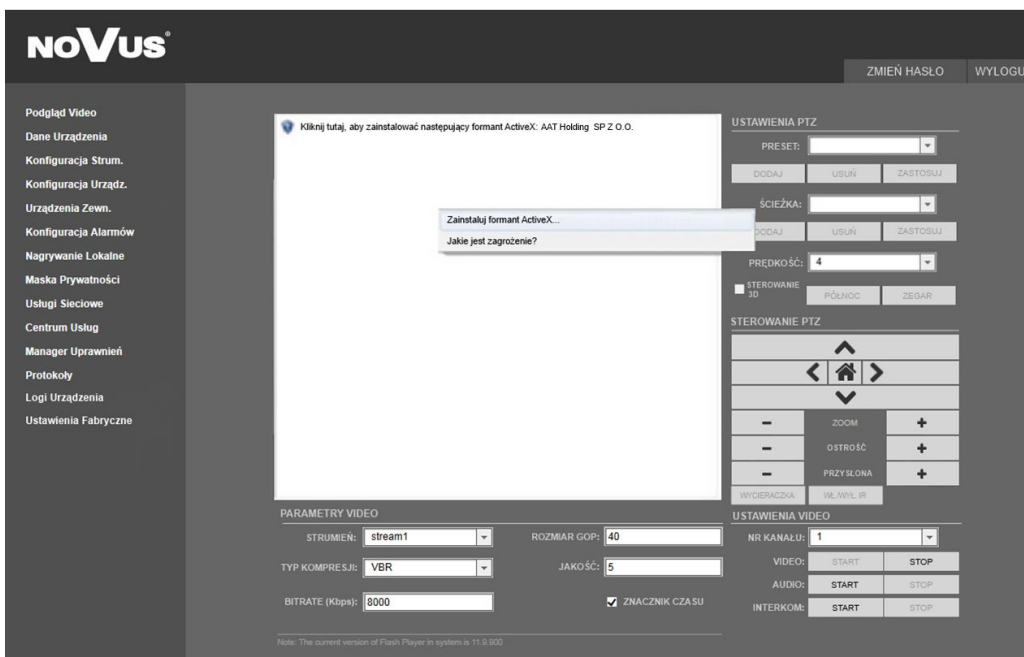
**UWAGA:** Jeśli na komputerze nie ma zainstalowanego Flash Playera, użytkownik zostanie poproszony o wybór technologii, przy użyciu której będzie wyświetlany obraz z kamery:



### Nie działa podgląd wideo

- [Kliknij aby pobrać najnowszą wersję Flash Player'a potrzebną do podglądu wideo!](#)
- [Kliknij aby odtworzyć podgląd wideo przez ActiveX'y w celu zmniejszenia opóźnień!](#)

- Aby wybrać technologię ActiveX (charakteryzuje się ona mniejszym opóźnieniem niż technologia Flash) należy nacisnąć na *Kliknij, aby odtworzyć podgląd wideo przez ActiveX'y w celu zmniejszenia opóźnień!*. Aby zainstalować wtyczkę ActiveX należy nacisnąć na okno obszaru wideo, wybrać opcję *Zainstaluj formant ActiveX...*, a następnie postępować zgodnie z wyświetlanymi instrukcjami.



**UWAGA:** Należy wybrać *Ustawienia Zabezpieczeń* w *Opcjach Internetowych* przeglądarki IE, oraz włączyć funkcję *Pobieranie niepodpisanych formantów ActiveX*.

- Aby wybrać technologię Flash należy nacisnąć *Kliknij, aby pobrać najnowszą wersję Flash Player'a potrzebną do podglądu wideo!*. Otworzy się okno ze stroną internetową firmy Adobe, z której należy pobrać Flash Playera. Po ukończeniu instalacji należy zrestartować przeglądarkę internetową oraz ponownie połączyć się z kamerą IP.

**UWAGA:** W przypadku pracy w systemie Windows Vista i 7 możliwe jest zablokowanie apletu ActiveX przez Windows Defender i Kontrolę konta użytkownika. W takim przypadku należy zezwolić na uruchamianie dodatku lub wyłączyć działanie blokujących aplikacji.

## INTERFEJS WWW - PRACA Z KAMERĄ

### 6. INTERFEJS WWW - PRACA Z KAMERĄ

#### 6.1. Wyświetlanie obrazu na żywo

pl

1. Menu konfiguracji kamery

2. Wyświetlanie obrazu na żywo

3. Ustawienia PTZ

4. ZMIENI HASŁO WYLOGUJ

5. Ustawienia wideo

#### 1. Menu konfiguracji kamery

- |                       |  |
|-----------------------|--|
| Podgląd wideo         | - podgląd obrazu na żywo                                 |
| Dane urządzenia       | - informacje o urządzeniu                                |
| Ustawienia strumieni  | - ustawienia parametrów strumieni video i audio          |
| Ustawienia systemowe  | - ustawienia kamery (np. Sieć Lokalna, Data i Czas)      |
| Urządzenia zewnętrzne | - ustawienia urządzeń zewnętrznych (funkcja niedostępna) |
| Ustawienia alarmów    | - ustawienia alarmów                                     |
| Nagrywanie lokalne    | - ustawienia nagrywania lokalnego                        |
| Strefy prywatności    | - definiowanie do 5 stref prywatności                    |
| Usługi sieciowe       | - ustawienia sieciowe urządzenia                         |
| Powiadamianie         | - ustawienia powiadamiania (np. SMTP)                    |
| Uprawnienia           | - zarządzanie grupami użytkowników i użytkownikami       |
| Protokoły             | - ustawienia protokołów (np. ONVIF)                      |
| Logi urządzenia       | - logi urządzenia (np. logi alarmowe)                    |
| Ustawienia fabryczne  | - możliwość przywrócenia ustawień fabrycznych urządzenia |

## INTERFEJS WWW - PRACA Z KAMERĄ

---

---

### 2. Ustawienia Video

Strumień	- wybór strumienia
Typ kompresji	- typ kompresji (VBR lub CBR)
Bitrate (kbps)	- strumień wideo (500 ~ 12000 kbps)
Rozmiar GOP	- interwał ramek kluczowych (1 ~ 60)
Jakość	- jakość video (1 ~ 9)

*ZNACZNIK CZASU* - bufor wideo (może powodować zwiększenie opóźnienia do maksymalnie 5s)

UWAGA: Funkcja *ZNACZNIK CZASU* nie jest dostępna przy użyciu dodatku Flash.

### 3. Sterowanie kamerą

Funkcja niedostępna.

### 4. Pasek menu

Zmień Hasło	- zmiana hasła użytkownika
Wyloguj	- wylogowanie z kamery

### 5. Ustawienia Wideo

Kamera	- domyślny numer kamery to 1.
Wideo	- włącz/wyłącz obraz wideo
Audio	- włącz/wyłącz dźwięk
Interkom	- włącz/wyłącz interkom

UWAGA: Przy użyciu dodatku Flash funkcja aktywowania dźwięku i interkomu jest niedostępna.

## POŁĄCZENIA ELEKTRYCZNE I ZŁĄCZA AKCESORIÓW

### 7. POŁĄCZENIA ELEKTRYCZNE I ZŁĄCZA AKCESORIÓW

#### 7.1. Podłączenie zasilania kamery

Kamera może być zasilana przez zewnętrzny zasilacz o parametrach zgodnych z zasilaniem kamery lub przez gniazdo sieciowe RJ45 przy wykorzystaniu technologii PoE (IEEE 802.3af). Do zasilenia kamery poprzez PoE należy użyć przełącznika sieciowego lub zasilacza PoE zgodnego ze standardem IEEE 802.3af.

*Informacja:*

*Zasilacz zewnętrzny nie wchodzi w skład zestawu., należy się w niego zaopatrzyć we własnym zakresie.*

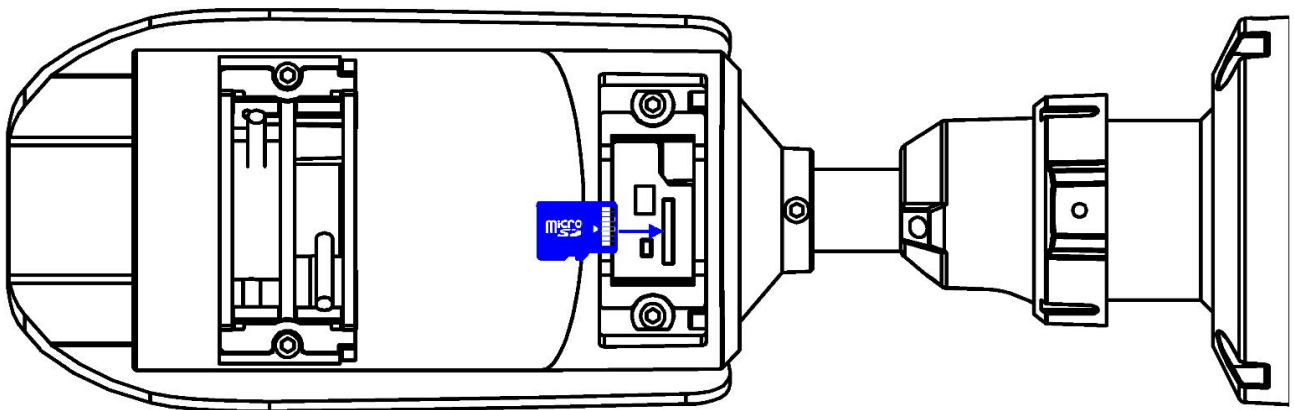
#### **UWAGA:**

**W celu ochrony kamery przed uszkodzeniem zalecane jest zastosowanie zabezpieczeń przepięciowych. Awaryjne powstające w wyniku przepięć nie podlegają naprawie gwarancyjnej.**

#### 7.2. Instalacja karty SD

Kamera obsługuje karty microSD i microSDHC. W celu prawidłowej instalacji karty należy postępować zgodnie z instrukcją:

- Wyłączyć kamerę
- Odkręcić śruby do klapki serwisowej i otworzyć klapkę serwisową.
- Zainstalować kartę microSD lub microSDHC w gnieździe znajdującym się przy podstawie kamery zgodnie z rysunkiem:



- Zamknąć klapkę serwisową i mocno dokręcić śruby, które je dociskają do obudowy kamery.
- Włączyć zasilanie kamery.
- Sformatować kartę systemem plików SDVideo (rekomendowane) lub Ext3 przy kamery IP.  
Wybrać z menu *Nagrywanie lokalne -> Katalog nagrywania*. W polu *Nazwa dysku* wybrać *SD1*.  
Nacisnąć przycisk *Zmień*. Otworzy się okno *Zmiana ścieżki nagrywania*. Odznaczyć opcję *Włącz*. W polu *System plików*, wybrać *SDVideo* lub *Ext3*. Nacisnąć przycisk *Formatuj*. Wyświetli się okno pokazujące aktualny status formatowania karty. Po zakończeniu formatowania wcisnąć przycisk *OK*.
- Sprawdzić pojemność karty SD w zakładce *Nagrywanie lokalne -> Katalog nagrywania*.

## PRZYWRACANIE USTAWIEŃ FABRYCZNYCH KAMERY

---

---

### 8. PRZYWRACANIE USTAWIEŃ FABRYCZNYCH KAMERY

Kamery IP marki NOVUS umożliwiają resetowanie ustawień:

- programowo (z poziomu przeglądarki) restartowanie ustawień kamery
- sprzętowo (przy użyciu przycisku reset) przywracanie ustawień fabrycznych kamery.

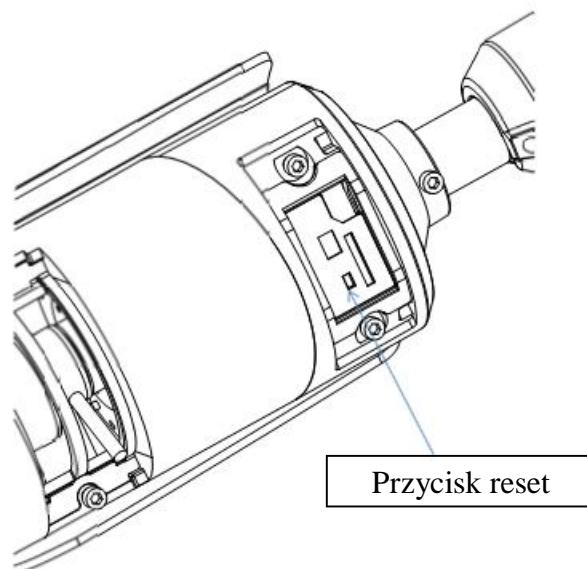
#### 8.1. Programowe resetowanie ustawień kamery IP

Resetowanie ustawień kamery IP powoduje przywrócenie wszystkich domyślnych ustawień kamery (opcjonalnie z pominięciem ustawień sieciowych). Kamera zostanie ponownie uruchomiona po ok. 1 minucie. Opcja do programowego przywrócenia ustawień fabrycznych znajduje się w zakładce *USTAWIENIA FABRYCZNE*.

#### 8.2. Przywracanie ustawień fabrycznych kamery IP (sprzętowe)

W celu sprzętowego przywrócenia ustawień fabrycznych kamery IP należy postępować zgodnie z instrukcją:

- odkręcić śruby dociskające klapkę serwisową do obudowy kamery i otworzyć klapkę serwisową,
- wcisnąć przycisk *RESET* i przytrzymać przez 5 sekund,
- zwolnić przycisk,
- zalogować się ponownie po ok. 1 minucie używając domyślnego adresu IP (<http://192.168.1.200>), nazwy użytkownika (*root*) i hasła (*pass*),
- zamknąć klapkę serwisową i mocno dokręcić śruby, która dociskają klapkę do obudowy kamery.



**NOVUS<sup>®</sup>**

2014-02-11 PR, MM