

User's manual



NVAHD-2DN3102SD/IR-1

noVus[®]

INFORMATION

EMC (2014/30/EU) and LVD (2014/35/EU) Directives



Our products are manufactured to comply with the requirements of the following directives and national regulations implementing the directives:

- Electromagnetic compatibility EMC 2014/30/EU.
- Low voltage LVD 2014/35/EU with further amendment. The Directive applies to electrical equipment designed for use with a voltage rating of between 50VAC and 1000VAC as well as 75VDC and 1500VDC.

WEEE Directive 2012/19/UE

Information on Disposal for Users of Waste Electrical and Electronic Equipment



This appliance is marked according to the European Directive on Waste Electrical and Electronic Equipment (2012/19/UE) and further amendments. By ensuring this product is disposed of correctly, you will help to prevent potential negative consequences for the environment and human health, which could otherwise be caused by inappropriate waste handling of this product.

The symbol on the product, or the documents accompanying the product, indicates that this appliance may not be treated as household waste. It shall be handed over to the applicable collection point for used up electrical and electronic equipment for recycling purpose. For more information about recycling of this product, please contact your local authorities, your household waste disposal service or the shop where you purchased the product.



RoHS Directive 2011/65/UE

Out of concern for human health protection and friendly environment, we assure that our products falling under RoHS Directive regulations, regarding the restriction of the use of hazardous substances in electrical and electronic equipment, have been designed and manufactured in compliance with the above mentioned regulations. Simultaneously, we claim that our products have been tested and do not contain hazardous substances whose exceeding limits could have negative impact on human health or natural environment.

Information

The device, as a part of professional CCTV system used for surveillance and control, is not designed for self installation in households by individuals without technical knowledge.

The manufacturer is not responsible for defects and damages that result from improper or inconsistent with user's manual installation of the device in the system.



WARNING

WARNING!

THE KNOWLEDGE OF THIS MANUAL IS AN INDESPENSIBLE CONDITION OF A PROPER DEVICE OPERATION. YOU ARE KINDLY REQUESTED TO FAMILIRIZE YOURSELF WITH THE MANUAL PRIOR TO INSTALLATION AND FURTHER DEVICE OPERATION.



WARNING!

USER IS NOT ALLOWED TO DISASSEMBLE THE CASING AS THERE ARE NO USER-SERVICEABLE PARTS INSIDE THIS UNIT. ONLY AUTHORIZED SERVICE PERSONNEL MAY OPEN THE UNIT

INSTALLATION AND SERVICING SHOULD ONLY BE DONE BY QUALIFIED SERVICE PERSONNEL AND SHOULD CONFORM TO ALL LOCAL REGULATIONS

WARNING!

PRIOR TO UNDERTAKING ANY ACTION THAT IS NOT DESCRIBED FOR THE GIVEN PRODUCT IN USER'S MANUAL AND OTHER DOCUMENTS DELIVERED WITH THE PRODUCT, OR IF IT DOES NOT ARISE FROM THE USUAL APPLICATION OF THE PRODUCT, MANUFACTURER MUST BE CONTACTED UNDER THE RIGOR OF EXCLUDING THE MANUFACTURER'S RESPONSIBILITY FOR THE RESULTS OF SUCH AN ACTION.

IMPORTANT SAFEGUARDS AND WARNINGS

1. Prior to undertaking any action please consult the following manual and read all the safety and operating instructions before starting the device.
2. Please keep this manual for the lifespan of the device in case referring to the contents of this manual is necessary;
3. All the safety precautions referred to in this manual should be strictly followed, as they have a direct influence on user's safety and durability and reliability of the device;
4. All actions conducted by the servicemen and users must be accomplished in accordance with the user's manual;
5. The device should be disconnected from power sources during maintenance procedures;
6. Usage of additional devices and components neither provided nor recommended by the producer is forbidden;
7. Mounting the device in places where proper ventilation cannot be provided (e. g. closed lockers etc.) is not recommended since it may lead to heat build-up and damaging the device itself as a consequence;
8. Mounting the camera on unstable surface or using not recommended mounts is forbidden. Improperly mounted camera may cause a fatal accident or may be seriously damaged itself. The camera must be mounted by qualified personnel with proper authorization, in accordance with this user's manual.

WARNING

-
-
9. Device should be supplied only from a power sources whose parameters are in accordance with those specified by the producer in the camera technical datasheet. Therefore, it is forbidden to supply the camera from a power sources with unknown parameters, unstable or not meeting producer's requirements;
 10. Signal cables (conducting TV or / and telemetric signal) should be placed in a way excluding the possibility of damaging them by accident. Special attention must be paid to cables getting from the camera and connecting the power supply;
 11. To avoid equipment damage, whole TV circuit should be equipped with properly made discharge-, overload- and lightning protection devices. Usage of separating transformers is advised;
 12. Electric installation supplying the device should be designed to meet the specifications given by the producer in such a way that overloading is impossible;
 13. User cannot repair or upgrade the equipment himself. All maintenance actions and repairs should be conducted only by qualified service personnel;
 14. Unplug the camera from the power source immediately and contact the proper maintenance department when the following occurs:
 - Damages to the power cord or to the plug itself;
 - Liquids getting inside the device or exposure to strong mechanical shock;
 - Device behaves in a way not described in the manual and all adjustments approved by the manufacturer and possible to apply by user himself, seem not to have any effect;
 - Camera is damaged;
 - Atypical behaviour of the camera components may be seen (heard).
 16. In necessity of repairs attention to using only original replacement parts (with their parameters in accordance with those specified by the producer) should be paid. Non-licensed service and non-genuine replacement parts may cause fire or electrocution;
 17. After maintenance activities tests should be run to ensure proper operation of all the functional components of the device.

Novus AHD cameras are dedicated to work with Novus AHD DVRs. Using only Novus products guarantees the highest image quality. Connecting Novus AHD cameras to DVRs from other manufacturers may decrease video quality.

Attention!
Technical changes reserved without prior notice and printing errors possible.

FOREWORD INFORMATION

1. BASIC INFORMATION

1.1. Overall Characteristic

- The AHD high speed day/night dome camera
- Mechanical IR filter
- Video resolution: 1920 x 1080
- IR Operation capability - built-in IR LED illuminator
- IR distance up to 60 m
- Sensor resolution: 2.0 megapixel
- Sensitivity: from 0.001 lx/F=1.2
- Lens type: motor-zoom lens with AF
- AGC - Automatic Gain Control
- WDR - Wide Dynamic Range
- 2DNR - Digital Noise Reduction
- OSD in English
- 8 Patrols
- 4 Patterns
- 220 Presets
- 10x optical zoom
- Auto-flip
- Park function
- IP Protection: IP 66
- Wall bracket included
- Power Supply: 12 VDC

1.2. Package contents

The box contains

Camera PTZ NVAHD-2DN3102SD/IR-1	1 pcs.
Wall Bracket	1 pcs.
Power Supply AC230V/AC212V –2A	1 pcs.
Wall Bracket Rubber	1 pcs.
Screws	4 pcs.
Manual	1 pcs.
Mounting template	1 pcs.

If any of the listed equipment has been damaged during transport or if the package is incomplete, the contents of package should be packed back in to the original box. Please contact your local NOVUS distributor for further assistance.

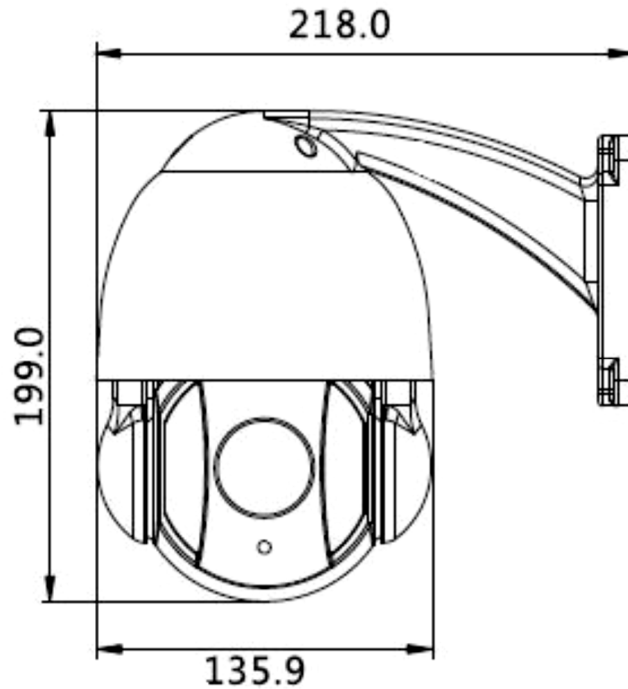
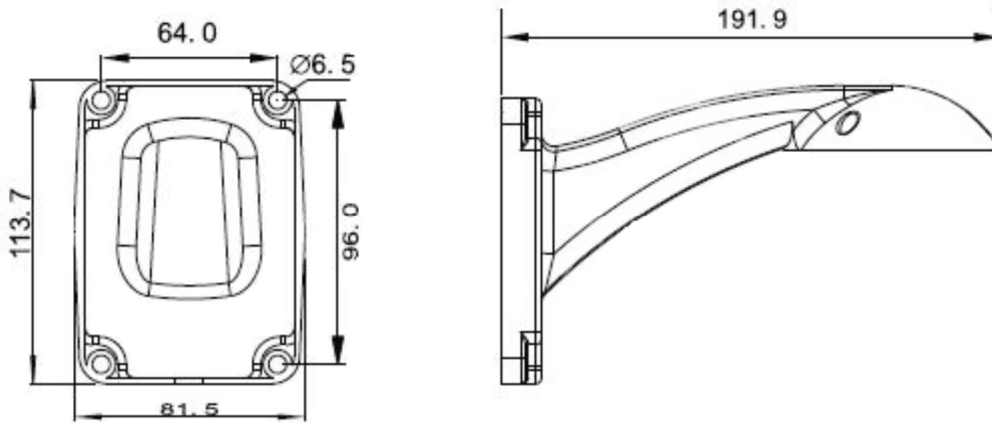
SPECIFICATION

1.3 Technical Data

Image	
Pick-up element	1/2.8" SONY 2.0 Mega Pixel CMOS
Number of effective pixels	1920x1080
Horizontal resolution	1080p
Min. illumination	0.01 lx/F=1.2 - color mode 0.001 lx/F=1.2 - B/W mode 0 lx (IR on) - B/W mode
S/N Ratio	> 50 dB (AGC Off)
Electronic shutter	automatic/manual (1/25 ~ 1/10 000 s)
Back Light Compensation (BLC)	yes
Operating mode	AHD 1080p
Lens	
Type of Lens	motor-zoom with automatic shutter and auto-focus, f=5 ~ 50 mm F1.2
Angle of View (H)	64.2° - 7.3°
Zoom	10 x optical
Day/Night	
Type	mechanical IR filter
Switching mode	automatic/manual
Other functions	
OSD	English
Automatic Gain Control (AGC)	automatic/manual
White Balance (WB)	automatic/manual
Digital Noise Reduction (DNR)	yes
Back Light Compensation (BLC)	yes
Park Function	presets, patrols, patterns, auto-scanning
Presets	220
Patrols	8 (32 presets each patrol)
Automatic Scans	1
Patterns	4 (up to 100 commands)
Tilt Range	0° ~ 90°
Pan Range	360°
Pan/Tilt Speed	0.6°/s - 200°/s, 3.5°/s - 35°/s
Auto-flip	yes
Image processing	180° image rotation, mirror effect
IR Illuminator	
LED number	6
Range	up to 60 m depends on optical zoom
Angle	up to 90° depends on optical zoom
Interfaces	
Video output	BNC, 1.0 Vp-p, 75 Ohm
Installation Parameters	
Dimensions (mm)	camera: 136 (W) x 199 (H) with bracket: 136 (W) x 199 (H) x 218 (L)
Weight	1.7 kg (with bracket)
Enclosure	Aluminium, White
Power Supply	12 VDC
Power consumption	up to 20 W
Operating Temperature	-20°C ~ 60°C
Degree of protection	IP 66

SPECIFICATION

1.4. Camera Dimensions



eng

INSTALLATION

2. INSTALLATION OF AHD CAMERA

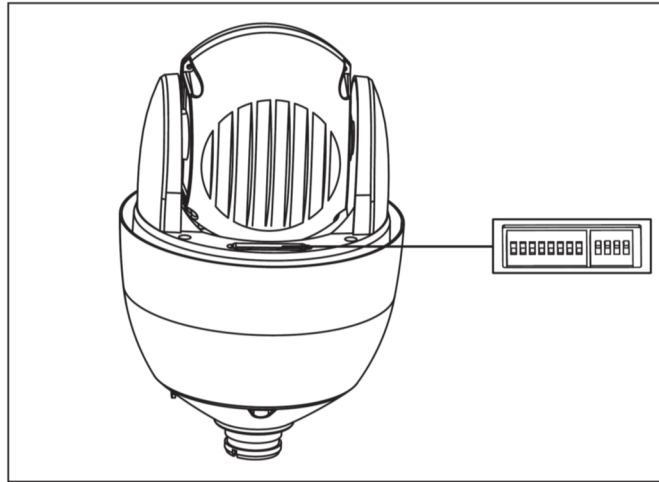
2.1 Mounting

Put mounting template on the wall on selected location.

Drill mounting holes and insert dowels

Drill (if needed) another hole for video and power cables.

eng



Unscrew cover protection of the DIP switch complement

Use DIP switches to set Camera RS-485 address (1-255)

NOTE:

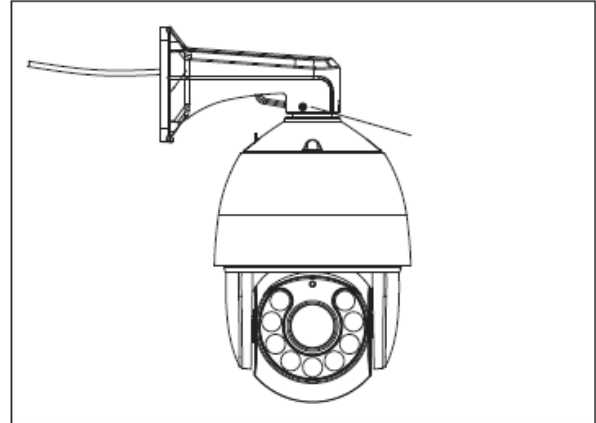
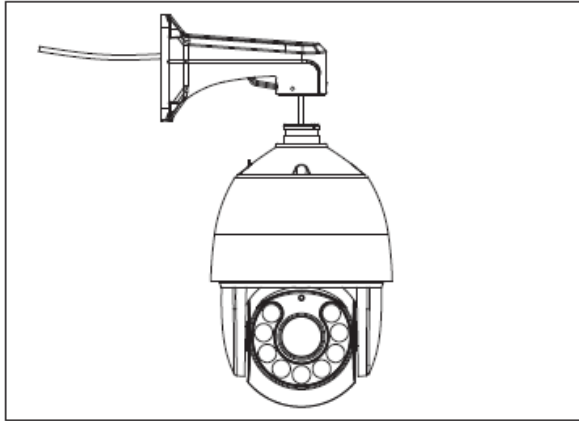
How to address the camera please look Point 2.3 page 11

INSTALLATION

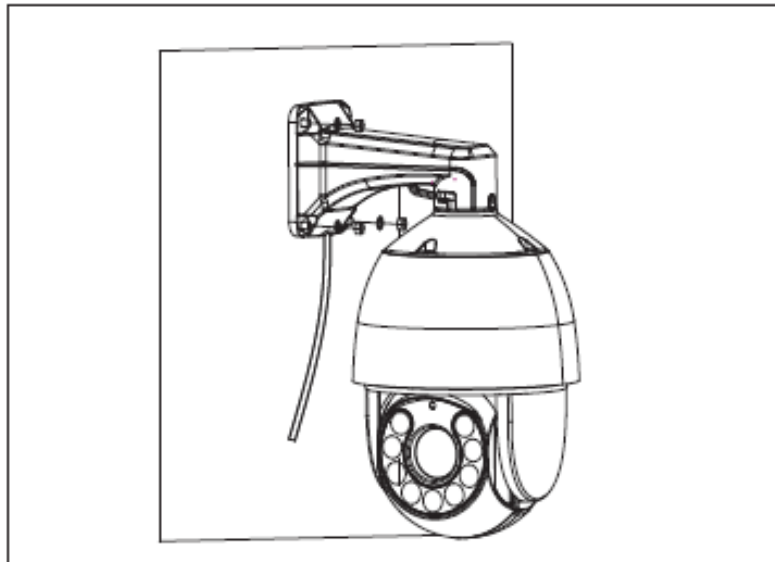
Put cables trough hole in the bracket and then connect bracket with the camera.

CAUTION!!!

In order to ensure a good seal, first install the rubber seals in the arm camera as well as run the wires through the hole in the mount. Additionally secure by silicone cables output.



Hold the bracket to the previously drilled holes, and then tighten it to the wall with screws.



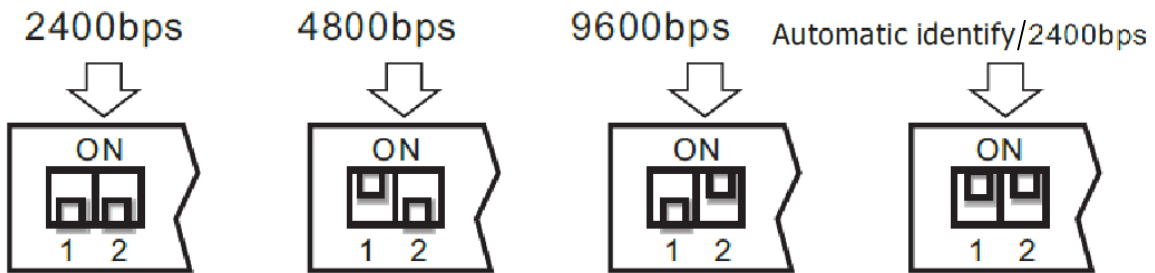
Connect cables to the connector (more info at point 2.5 page 12)

START-UP AND INITIAL CAMERA CONFIGURATION

2.2 Baud Speed Settings

Camera features DIP-switch blocks for configuring addresses and transmission parameters for RS-485 protocol. Switches are located under the cover located underneath camera module.

Camera has automatic protocol detection:

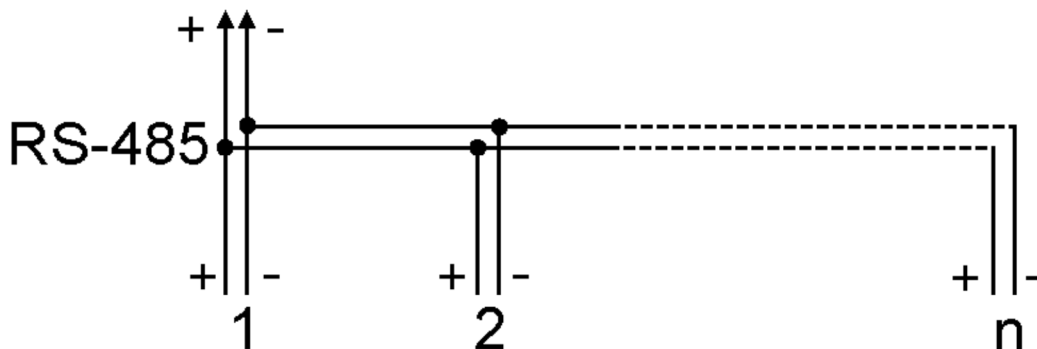


Automatic identify allows detection of speed, when using Pelco-D and Pelco-P protocol.

In case using N-Control speed is fixed at 2400bps.

Camera got implemented COAX protocol, that allow us to control camera without using RS485 protocol. To run camera via COAX user need set DIP Switches to AUTOMATIC IDENTIFY

For **RS-485** connections, **RS485+** and **RS485-** wires should be used. They should be connected to respective **TX+** and **TX-** connectors of the controller, e.g. NV-KBD50 keyboard. Next camera in the cascade is connected also using same **RS485+** and **RS485-** connectors.



START-UP AND INITIAL CAMERA CONFIGURATION

RS485 control bus need all device which connect to it shall be in parallel mode, and each end of the system shall be connected to a 120ohm resistor. Our speed dome has a 120ohm resistor built inside, you need only set it up through dip switch. Put the 4th switch on, then the resistor will be connected, details as below:



2.3 Camera AddressSettings



In order to avoid control conflicts, each camera should be assigned with unique address in the system. Switches numbered 1 to 8 are responsible for assigning an address.

When building a system containing a single DVR, assign addresses is recommended to accordance with their respective video inputs numbering.

Number visible on the DIP switch and their values are described in table below. Sum of the values determines the physical ID address of the camera.

Switch no:	1	2	3	4	5	6	7	8
Value:	1	2	4	8	16	32	64	128
1	ON	OFF	OFF	OFF	OFF	OFF	OFF	OFF
2	OFF	ON	OFF	OFF	OFF	OFF	OFF	OFF
3	ON	ON	OFF	OFF	OFF	OFF	OFF	OFF
5	ON	OFF	ON	OFF	OFF	OFF	OFF	OFF
11	ON	ON	OFF	ON	OFF	OFF	OFF	OFF

ATTENTION!

Remember each camera has its address set to 1 by default!

START-UP AND INITIAL CAMERA CONFIGURATION

2.4. Power Supply

CAUTION!!!

Please check power source before you plug in Camera!



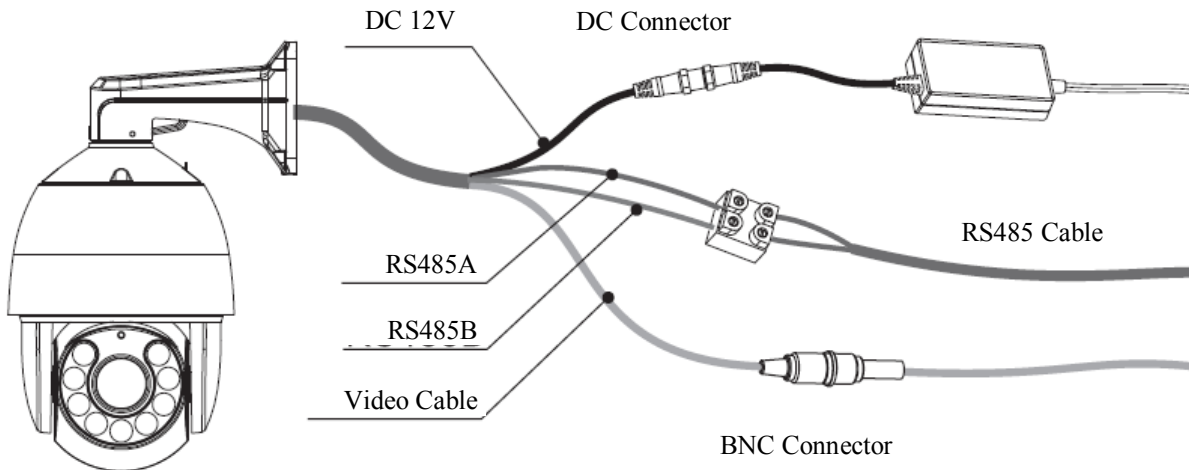
Power	Range	Current
DC12V	± 10%	2A

2.5 Connecting wires

Connect RS485 bus wires connector to the keyboard or DVR. In case of use more then one device make parallel connections.

1. Protocol and baud speed can be set by user, (remember to set same parameters for camera and device that you're using)
2. Set individual address for each camera that you use on single bus.

Connect camera as shown on diagram below.



Port Mark	Name	Color	How to join
Power Cable	DC12V input power	DC connector	Power Connector
RS485A	485 Communication Bus A	White	Cable connected to RS485+
RS485B	485 Communication Bus B	Green	Cable connected to RS485-
Video cable	Video Cable	BNC port	Connect Monitor or DVR (AHD)

CONFIGURATION

3. BASIC FUNCTIONS

After plug in power supply, camera start self-check mode. After connecting PTZ keyboard, you can check pan tilt and zoom positions.

There is a possibility to program Presets, Patrols and Patterns with external keyboard without using OSD menu.

CAUTION!!!

Ways of Setting and Calling presets could be different depending on model of external keyboard that you're using. Presented configuration is for NV-KBD50. Please refer to the user manual of keyboard.

3.1 Preset Setting

Operation steps as below:

1. Select camera ID
2. Operate joystick or zoom +/- button to adjust camera image
3. Press [N] (input specific preset number) + hold [PRESET] for a 3 sec. to save current position parameters as Preset

3.2 Call a Preset

To call previously saved preset you have to:

1. Select camera ID
2. Press [PRESET] + [N] (input specific preset number) + Camera move to corresponding preset position at once.

3.3 Function realization by preset

Adopting the method of double function presets, achieve all the functions of the camera by preset call, Specific correspond <<Preset Function Table of General Function>> and <<Preset Function of Specific Function>>

Call mode: Specific function is achieved by the mode of preset call, for example: [92]+[PRESET]+[1] +[PRESET] witch is call PATROL 1

Preset function table of general function:

General Function	PRESET	Remarks
IR	90	
Zoom Module	91	
Patrol Scan	92	
Pattern Scan	93	
PTZ Control	94	

CONFIGURATION

MENU	95	OSD Menu
System Setting	96	
Reservation	97	
Hig speed Auto-scan	98	
Low speed Auto-scan	99	

Preset function of specific function

General Function	Preset Number	Call mode	Set mode	CAUTION
IR Function (90)	1	Auto ON/OFF		
	2	Forced ON		
	3	Forced OFF		
	11	High Sensitivity		
	12	Medium Sensitivity		
	13	Low Sensitivity		
Camera Module Setting (91)	1	IR CUT - On		
	2	IR CUT - Off		
	3	IR CUT - Auto On		
	4	IR CUT - Auto Off		
	50	Zoom Camera Automatic Diagnosis		
	80	Enter module menu		Module support OSD function
	81	Confirm function in OSD menu		
Patrol Scan (92)	1	Call Patrol 1	Patrol 1 setting start	
	2	Call Patrol 2	Patrol 2 setting start	
	3	Call Patrol 3	Patrol 3 setting start	
	4	Call Patrol 4	Patrol 4 setting start	
	5	Call Patrol 5	Patrol 5 setting start	
	6	Call Patrol 6	Patrol 6 setting start	
	7	Call Patrol 7	Patrol 7 setting start	
	8	Call Patrol 8	Patrol 8 setting start	
	9	Patrol setting end		
	10	Patrol time setting (5-240s)		
	11	Patrol speed setting (1-63)		
Pattern Scan (93)	1	Call Pattern 1	Pattern1 setting start	
	2	Call Pattern2	Pattern2 setting start	
	3	Call Pattern3	Pattern3 setting start	

CONFIGURATION

Pattern Scan (93)	4	Call Pattern 4	Pattern4 setting start	
	5	Pattern setting end		
PTZ Control (94)	1-8	Park Preset 1-8		
	9-16	Park Patrol 1-8		
	17-20	Park Pattern 1-4		
	21	Park Auto Scan		
	22	Park Line A-B		
	30	Park time 0 (off)		
	31	Park time 10s		
	32	Park time 30s		
	33	Park time 60s		
	41	A - line scan setting		
	42	B - line scan setting		
	43	High speed line scan		
	44	Middle speed line scan		
	45	Low speed line scan		
	46	Inner arc line-scan		
	47	Outer arc line-scan		
	50	Open autotracking		
	51	Off autotracking		
	52	Open auto zoom		
53	Off auto zoom			
System Setting (96)	Continuous call 10, 12, 14	Restore factory setting		
	30	On/Off Auto-Flip		

Change camera operating mode

General Function	Preset Number	Call mode	Set mode	Caution
Operating mode (AHD, TVI, CVI) 96	1	Change to TVI mode		
	2	Change to CVI mode		
	3	Change to AHD mode		
	4	Change to CVBS mode		
	5	Change to PAL mode		
	6	Change to NTSC mode		

CONFIGURATION

In order to correctly change the camera operation modes, subsequent presets should be called after each other, for example:

CALL PRESET 96 + CALL PRESET 1 - the camera will switch to the 1080p TVI mode.

In addition, presets can be called by the recorder by COAX protocol.

WARNING!

Using the COAX protocol, there is a risk of disabling camera control if we switch the camera into **CVI or CVBS** mode. To switch the camera back into other modes, use the RS-485 protocol. The COAX protocol in the CVI and CVBS operating modes **DO NOT FUNCTION**

CAUTION !!!

In case of using N-Control there is a possibility to use function, patrols, presets and patterns directly form keyboard (please check keyboard user manual).

CAUTION!!!

Presets 35 - 42 by default call Patrols 1 - 8.

PATROL 1 by default has programmed Presets from 1 to 8, with parameters: SPD 50 TIME 10

3.4 Patrol Setting

Start patrol order “set preset 92 + call corresponding preset of patrol number”, then add preset “call preset”, every patrol path can add max. 32 presets. After adding, save the setting by “set preset 92 + call preset 9”

The setting of preset standing time: “set preset 92 + call preset 10 + call corresponding preset of time”.

The setting of preset running speed in patrol: “set preset 92 + call preset 11 + call corresponding preset of speed;

CONFIGURATION

[For example] add 1-4 presets in patrol 1, standing time 30s, speed 40, follow the instructions below:

Add presets in patrol path:

- (1) Set preset 92, call preset 1, start patrol 1 setting.
- (2) Call preset 1, add preset 1 to patrol 1.
- (3) Call preset 2, add preset 2 to patrol 1.
- (4) Call preset 3, add preset 3 to patrol 1.
- (5) Call preset 4, add preset 4 to patrol 1.
- (6) Call preset 92, then call preset 9, save patrol 1.

The setting of preset standing time in patrol:

- (1) Set preset 92, then call preset 10, start the setting of preset standing time.
- (2) Call preset 30, set standing time to 30s.

The setting of preset running speed in patrol:

- (1) Set preset 92, then call preset 11, start the setting of preset running speed.
- (2) Call preset 40, set preset running time to 40.

CONFIGURATION

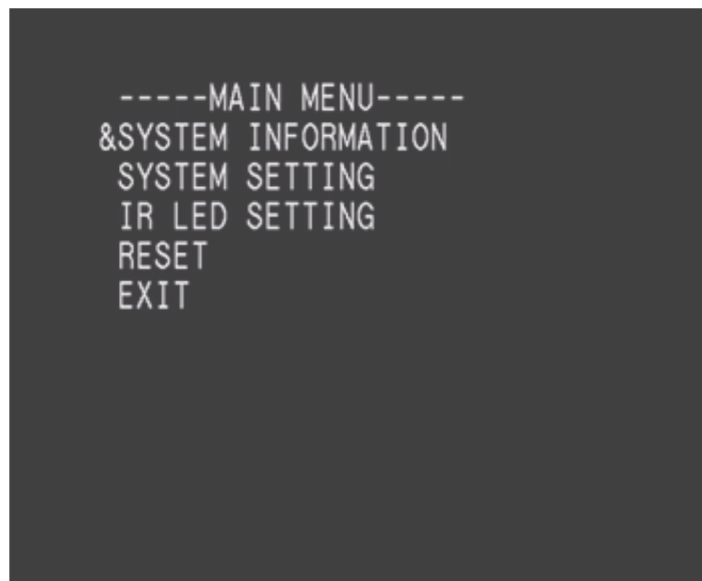
4.0. OSD MENU

To call OSD menu you need use external keyboard or DVR with PTZ function . To open OSD menu we use Call PRESET 95 commend. To move through menu we use joystick or DVR system navigator. Main Menu got three sub-menus, that we can enter moving joystick right or pressing IRIS+. After selecting option sign **&** will change on *****, that allow us to make a change through joystick move UP or DOWN. To leave sub-menu, we move joystick left or press IRIS-. Further every menu got EXIT option that allow us to lave selected menu.

eng

4.1 Main Menu

Main menu got 3 sub-menus that allow us to configure camera options.



SYSTEM INFORMATION - sub-menu that got basic information's about camera and their settings

SYSTEM SETTING - sub-menu that allow us to change default settings and program PTZ control functions.

IR LED SETTING - sub-menu that allow us to configure IR LED settings

RESET– brings back to default settings

EXIT - leaving OSD menu

4.2 System Information Menu

System Information menu shows us default information about AHD camera.



```
----INFORMATION----
&PROTOCOL      N-CTRL
BAUD RATE      2400
HARD ADDR      003
SOFT ADDR      001
SOFT ADDR ENABLEOFF
VERSION        VER.1N.1
EXIT
```

PROTOCOL - information about protocol that camera is currently using to PTZ control, default AUTO

BAUD RATE - information about baud rate with PTZ control, default AUTO

HARD ADDR - information about physical camera address, set by DIP switches

SOFT ADDR - changing software address of the camera

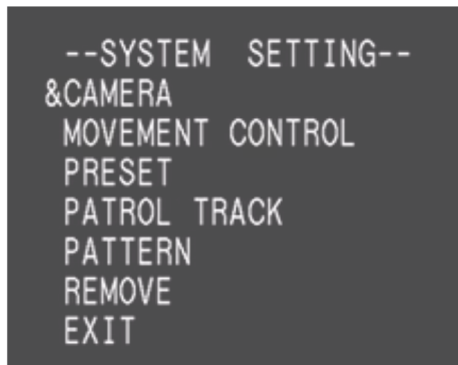
SOFT ADDR ENABLE - enable software address, default OFF

VERSION - actual Software version

EXIT - back to previous menu

CONFIGURATION

4.3 System Settings Menu



```
--SYSTEM SETTING--
&CAMERA
MOVEMENT CONTROL
PRESET
PATROL TRACK
PATTERN
REMOVE
EXIT
```

CAMERA - sub-menu that allows you to configure camera.

MOVEMENT CONTROL - sub-menu that allows you configure default movement settings

PRESET - sub-menu for programming presets

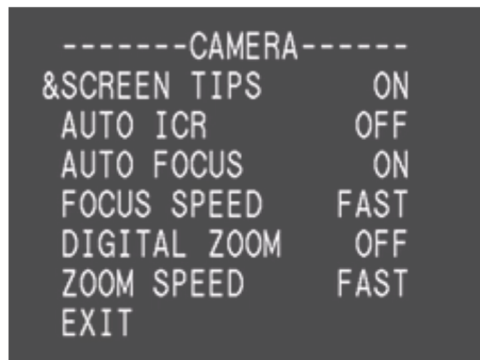
PATROL TRACK - sub-menu for configuration of patrols

PATTERN - sub-menu for configuration of patterns

REMOVE - remove all settings and bring it to default

EXIT- back to previous menu

4.3.1 Camera Menu



```
-----CAMERA-----
&SCREEN TIPS      ON
AUTO ICR          OFF
AUTO FOCUS        ON
FOCUS SPEED       FAST
DIGITAL ZOOM      OFF
ZOOM SPEED        FAST
EXIT
```

SCREEN TIPS - information about camera settings are displayed on screen, default OFF

AUTO ICR - setting automatic IR filter, default OFF

AUTO FOCUS - setting auto focus function, default ON

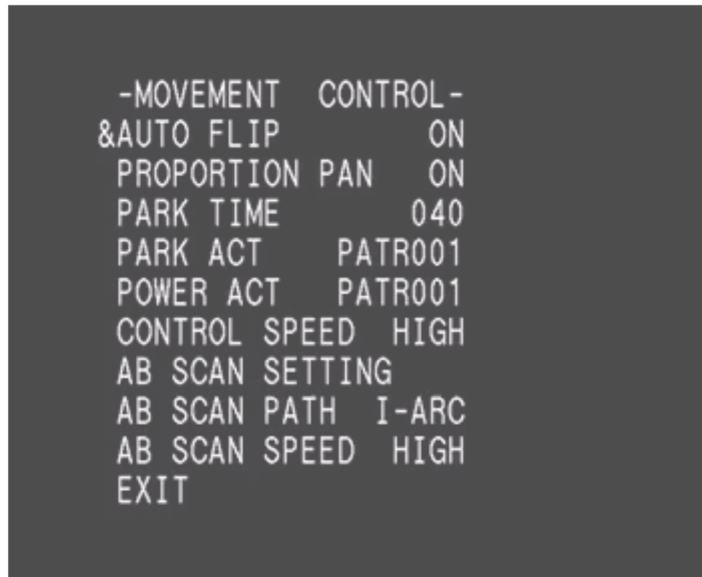
FOCUS SPEED - setting focus speed (FAST/SLOW), default FAST

DIGITAL ZOOM - function not available

ZOOM SPEED - settings of zoom speed (FAST/SLOW), default FAST

EXIT - back to previous menu

4.3.2 Movement Control Menu



AUTO FLIP - auto flip function (ON/OFF), default ON

PROPORTION PAN - proportion function that adjust camera speed depending on zoom, default ON

PARK TIME - time after camera goes to park mode (5-255s), default NO

PARK ACT - PTZ action that would start after set time in previous function (PRESET 1-8/PATROL 1-8/PATTERN 0-4/AUTO SCAN/AB SCAN), default NO

POWER ACT - PTZ action that would start after power on (PRESET 1-8/PATROL 1-8/PATTERN 0-4/AUTO SCAN/AB SCAN), default NO

CONTROL SPEED - speed of programmed movement (LOW/MEDIUM/HIGH), default HIGH

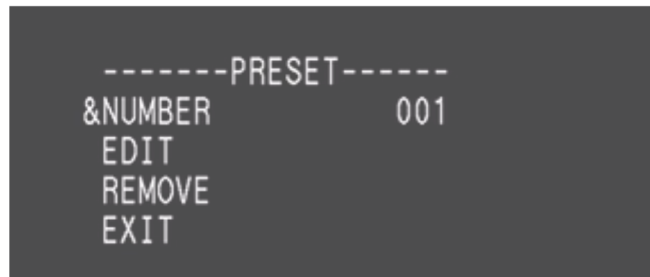
AB SCAN SETTING - setting AB mode, setup two presets among witch camera start patrol

AB SCAN PATCH - choose patch of patrol in AB scan mode (I-ARC/0-ARC), short way: I-ARC, or long way: 0-ARC default I-ARC

AB SCAN SPEED - scan speed in AB Scan mode (LOW/MEDIUM/HIGH), default HIGH

CONFIGURATION

4.3.3 Preset Menu



NUMBER - choose number of preset from 1-220

EDIT - setting preset on the selected view

REMOVE - erase preset

EXIT - back to previous menu

4.3.4 Patrol Menu



NUMBER - choose number of patrol from 1-8

EDIT - sub-menu that allows you configure each preset that you add in current Patrol (1-32 presets), speed (1- 63) and time (1-240s), default (SPD 50, TIME 10)

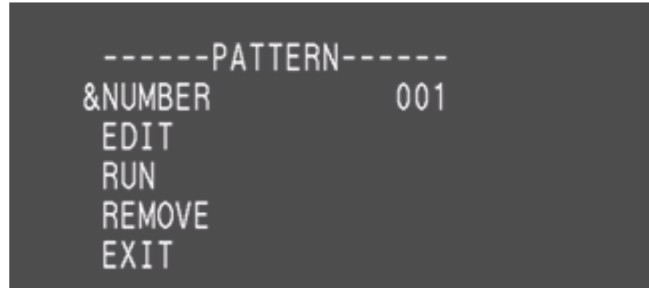
RUN - run present patrol

REMOVE - erase patrol

EXIT - back to previous menu

4.3.5 Pattern Menu

Pattern function allows you to program up to 100 operator movement.



NUMBER - choose pattern from 1-4

EDIT - recording pattern by traversing joystick, every move will be saved (included zoom and focus) and will be play (till 100 moves).

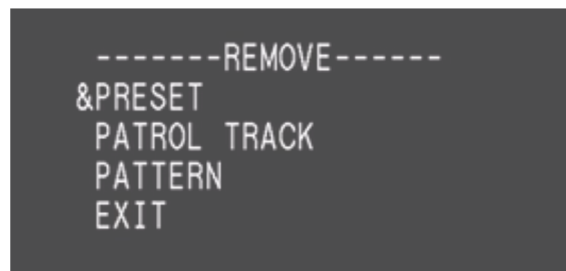


RUN - run previously saved pattern

REMOVE - erase present pattern

EXIT - back to previous menu

4.3.6 Remove Menu



PRESET - erase all presets

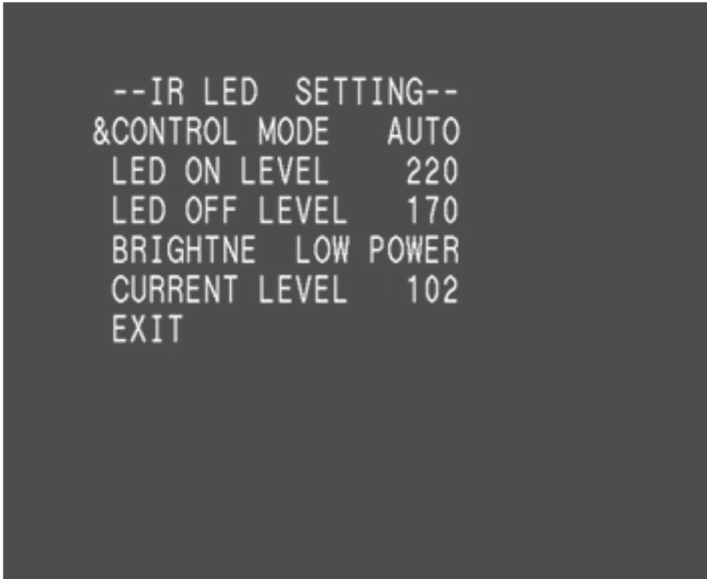
PATROL TRACK - erase all patrols

PATTERN - erase all patterns

EXIT - back to previous menu

CONFIGURATION

4.4 IR LED Settings Menu



```
--IR LED SETTING--
&CONTROL MODE  AUTO
LED ON LEVEL   220
LED OFF LEVEL  170
BRIGHTNE      LOW POWER
CURRENT LEVEL  102
EXIT
```

CONTROL MODE - control mode of IR LED (AUTO/ON/OFF), default AUTO

LED ON LEVEL - illuminate level when IR LED's turn ON, default 220

LED OFF LEVEL - illuminate level when IR LED's turn OFF, default 170

BRIGHTNE - energy consumption of IR LED's (LOW POWER/MANUAL/UNIFORM), default LOW POWER

CURRENT LEVEL - the current level of illumination

EXIT - back to previous menu

4.5 Module Menu

NVAHD-2DN3102SD/IR-1 speed dome camera got separated module menu to which you can enter by PRESET 91 + PRESET 80. Menu is divided on two parts. To navigate by available options we use ZOOM+ and ZOOM- buttons. To make any changes press FOCUS+ and FOCUS

CONFIGURATION

→ LANG	EN
OSD-DISP	OFF
D&N	COL
MIRROR	OFF
BRIGHT	20
WDR	OFF
SHARPNESS	14
OUTPUT	AHD
FORMAT	1080 / 25

LANG - information about language, default English

OSD-DIPS - display OSD menu, default OFF

D&N - day & night mode (AUTO/CDS/BW/COL), operator choose mode depending on conditions in witch camera supposed to work, default COL

MIRROR - mirror mode (OFF/FLIP/UD/LR), camera flip current image, default OFF

BRIGHT - brightness level from 0-31, default 20

WDR - Wide dynamic Range, default OFF

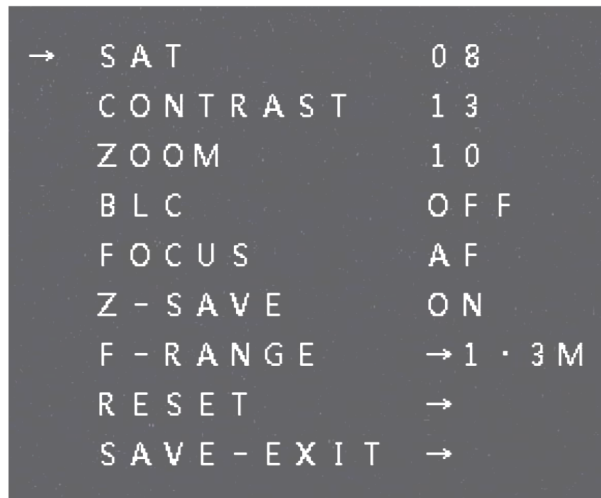
SHARPNESS - sharpness form 0-31, default 08

OUTPUT - not available

FORMAT - image output (1080p/25, 1080p/30, 720p/25, 720p/30) choose resolution and frame rate of camera, default 1080p/25

CAUTION in case when you change format on 1080/30 or 720/30 camera will start work in NTSC system! After that image will disappear. To get back to PAL, first you need change settings in your DVR to NTSC system to see picture form the Camera. Then you need switch camera Output to 1080p/25, 720p/25 or restore it to default.

CONFIGURATION



A screenshot of a camera's configuration menu. The menu is displayed on a dark background with white text. It lists various settings and their current values. A cursor arrow points to the first item, 'SAT'. The settings are: SAT (08), CONTRAST (13), ZOOM (10), BLC (OFF), FOCUS (AF), Z-SAVE (ON), F-RANGE (1.3M), RESET (→), and SAVE-EXIT (→).

```
→ SAT          08
  CONTRAST     13
  ZOOM         10
  BLC          OFF
  FOCUS        AF
  Z-SAVE       ON
  F-RANGE      →1.3M
  RESET        →
  SAVE-EXIT    →
```

SAT - saturation form 0-31, default 08

CONTRAST - contrast from 0-31, default 13

ZOOM - setting displayed zoom value from 1-50 default 10

BLC - turn on/off Back light compensation option

FOCUS - setting focusing operating mode (AF/MF/TRIG), default AF

Z-SAVE - save camera zoom module, default ON

F-RANGE - set minimal range of focusing range, default range 1.3m

RESET - reset to factory settings

SAVE-EXIT - save and exit menu

eng

NOTES

eng

NOVUS[®]

AAT Holding S.A, ul. Puławska 431, 02-801 Warszawa, Polska
tel.: 22 546 07 00, faks: 22 546 07 59
www.novuscctv.com

Instrukcja obsługi



NVAHD-2DN3102SD/IR-1

NOVUS[®]

INFORMACJE

Dyrektywy EMC (2014/30/EU) i LVD (2014/35/EU)



Oznakowanie CE

Nasze produkty spełniają wymagania zawarte w dyrektywach oraz przepisach krajowych wprowadzających dyrektywy:

- Kompatybilność elektromagnetyczna EMC 2014/30/EU.
- Niskonapięciowa LVD 2014/35/EU. Dyrektywa ma zastosowanie do sprzętu elektrycznego

przeznaczonego do użytkowania przy napięciu nominalnym od 50VAC do 1000VAC oraz od 75VDC do 1500VDC.

Dyrektywa WEEE 2012/19/EU

Informacja dla użytkowników o pozbywaniu się urządzeń elektrycznych i elektronicznych



Niniejszy produkt został oznakowany zgodnie z Dyrektywą WEEE (2012/19/EU) oraz późniejszymi zmianami, dotyczącą zużytego sprzętu elektrycznego i elektronicznego. Zapewniając prawidłowe złomowanie przyczyniają się Państwo do ograniczenia ryzyka wystąpienia negatywnego wpływu produktu na środowisko i zdrowie ludzi, które mogłoby zaistnieć w przypadku niewłaściwej utylizacji urządzenia.

Symbol umieszczony na produkcie lub dołączonych do niego dokumentach oznacza, że nasz produkt nie jest klasyfikowany jako odpad z gospodarstwa domowego. Urządzenie należy oddać do odpowiedniego punktu utylizacji odpadów w celu recyklingu. Aby uzyskać dodatkowe informacje dotyczące recyklingu niniejszego produktu należy skontaktować się z przedstawicielem władz lokalnych, dostawcą usług utylizacji odpadów lub sklepem, gdzie nabyto produkt.



Dyrektywa RoHS 2012/35/UE

Informacja dla użytkowników dotycząca ograniczenia użycia substancji niebezpiecznych w sprzęcie elektrycznym i elektronicznym.

W trosce o ochronę zdrowia ludzi oraz przyjazne środowisko zapewniamy, że nasze produkty podlegające przepisom dyrektywy RoHS, dotyczącej użycia substancji niebezpiecznych w sprzęcie elektrycznym i elektronicznym, zostały zaprojektowane i wyprodukowane zgodnie z wymaganiami tej dyrektywy. Jednocześnie zapewniamy, że nasze produkty zostały przetestowane i nie zawierają substancji niebezpiecznych w ilościach mogących niekorzystnie wpływać na zdrowie człowieka lub środowisko naturalne.

Informacja

Urządzenie, jako element profesjonalnego systemu telewizji dozorowej służącego do nadzoru i kontroli, nie jest przeznaczone do samodzielnego montażu w gospodarstwach domowych przez osoby nie posiadające specjalistycznej wiedzy.

Obowiązek konsultowania się z Producentem przed wykonaniem czynności nieprzewidzianej instrukcją obsługi albo innymi dokumentami:

Przed wykonaniem czynności, która nie jest przewidziana dla danego Produktu w instrukcji obsługi, innych dokumentach dołączonych do Produktu lub nie wynika ze zwykłego przeznaczenia Produktu, należy, pod rygorem wyłączenia odpowiedzialności Producenta za następstwa takiej czynności, skontaktować się z Producentem.



UWAGI I OSTRZEŻENIA

UWAGA!

ZNAJOMOŚĆ NINIEJSZEJ INSTRUKCJI JEST NIEZBĘDNYM WARUNKIEM PRAWIDŁOWEJ EKSPLOATACJI URZĄDZENIA.

PROSIMY O ZAPOZNANIE SIĘ Z NIĄ PRZED PRZYSTĄPIENIEM DO INSTALACJI I OBSŁUGI KAMERY.



UWAGA !

NIE WOLNO DOKONYWAĆ ŻADNYCH SAMODZIELNYCH NAPRAW. WSZYSTKIE NAPRAWY MOGĄ BYĆ REALIZOWANE JEDYNIEM PRZEZ WYKWALIFIKOWANYCH PRACOWNIKÓW SERWISU.

pl

WARUNKI BEZPIECZEŃSTWA

1. Przed zainstalowaniem i rozpoczęciem eksploatacji należy dokładnie zapoznać się z niniejszą instrukcją obsługi i zawartymi w niej wymogami bezpieczeństwa;
2. Uprasza się o zachowanie instrukcji na czas eksploatacji kamery na wypadek konieczności odniesienia się do zawartych w niej treści;
3. Należy skrupulatnie przestrzegać wymogów bezpieczeństwa opisanych w instrukcji, gdyż mają one bezpośredni wpływ na bezpieczeństwo użytkowników i trwałość oraz niezawodność urządzenia;
4. Wszystkie czynności wykonywane przez instalatorów i użytkowników muszą być realizowane zgodnie z opisem zawartym w instrukcji;
5. W czasie czynności konserwatorskich urządzenie musi być odłączone od zasilania;
6. Nie wolno stosować żadnych dodatkowych urządzeń lub podzespołów nie przewidzianych i nie zalecanych przez producenta;
7. Nie należy instalować tego urządzenia w miejscu, gdzie nie można zapewnić właściwej wentylacji (np. zamknięte szafki, itp.), co powoduje zatrzymanie się ciepła i w konsekwencji może doprowadzić do uszkodzenia urządzenia;
8. Nie wolno umieszczać kamery na niestabilnych powierzchniach lub nie zalecanych przez producenta uchwytych. Źle zamocowana kamera może być przyczyną groźnego dla ludzi wypadku lub sama ulec poważnemu uszkodzeniu. Kamera musi być instalowana przez wykwalifikowany personel o odpowiednich uprawnieniach według zaleceń podanych w niniejszej instrukcji;
9. Urządzenie może być zasilane jedynie ze źródeł o parametrach zgodnych ze wskazanymi przez producenta w danych technicznych kamery. Dlatego też, zabrania się zasilania kamery ze źródeł o nieznanym, niestabilnym lub niezgodnym z wymaganiami określonymi przez producenta parametrach;

UWAGI I OSTRZEŻENIA

10. Przewody sygnałowe i zasilające powinny być prowadzone w sposób wykluczający możliwość ich przypadkowego uszkodzenia. Szczególną uwagę należy zwrócić na miejsce wyprowadzenia przewodów z kamery oraz na miejsce przyłączenia do źródła zasilania.
11. W celu uniknięcia uszkodzenia urządzenia, cały tor wizyjny powinien być wyposażony w prawidłowo wykonane układy ochrony przed zakłóceniami, przepięciami i wyładowaniami atmosferycznymi. Zalecane jest również stosowanie transformatorów separujących.
12. Instalacja elektryczna zasilająca kamerę powinna być zaprojektowana z uwzględnieniem wymagań podanych przez producenta tak, aby nie doprowadzić do jej przeciążenia;
13. Użytkownik nie może dokonywać żadnych napraw lub modernizacji urządzenia. Wszystkie naprawy mogą być wykonywane jedynie przez wykwalifikowanych pracowników autoryzowanego serwisu;
14. Należy niezwłocznie odłączyć kamerę od źródła zasilania i przewodów sygnałowych oraz skontaktować się z właściwym serwisem w następujących przypadkach:
 - Uszkodzenia przewodu zasilającego lub wtyczki tego przewodu;
 - Przedostania się cieczy do środka urządzenia lub gdy zostało ono narażone na silny uraz mechaniczny;
 - Urządzenie działa w sposób odbiegający od opisanego w instrukcji, a regulacje dopuszczone przez producenta i możliwe do samodzielnego przeprowadzenia przez użytkownika nie przynoszą spodziewanych rezultatów;
 - Obudowa została uszkodzona;
 - Można zaobserwować nietypowe zachowanie kamery.
15. W przypadku konieczności naprawy urządzenia należy upewnić się, czy pracownicy serwisu użyli oryginalnych części zamiennych o charakterystykach elektrycznych zgodnych z wymaganiami producenta. Nieautoryzowany serwis i nieoryginalne części mogą być przyczyną powstania pożaru lub porażenia prądem elektrycznym;
16. Po wykonaniu czynności serwisowych należy przeprowadzić testy urządzenia i upewnić się co do poprawności działania wszystkich podzespołów funkcjonalnych kamery.

Kamery AHD marki Novus dedykowane są do współpracy z rejestratorami AHD marki Novus. Tylko w połączeniu z nimi gwarantowany jest najwyższy poziom jakości obrazu. Podłączenie kamer AHD marki Novus do rejestratorów AHD innych producentów może skutkować obniżeniem jakości obrazu wideo.

Uwaga!

Producent zastrzega sobie możliwość wystąpienia błędów w druku oraz zmian parametrów technicznych bez uprzedniego powiadomienia.

INFORMACJE WSTĘPNE

1. INFORMACJE WSTĘPNE

1.1. Charakterystyka ogólna

- Zintegrowana kamera szybkoobrotowa dzień/noc
- Mechaniczny filtr podczerwieni
- Możliwość pracy w podczerwieni - wbudowany oświetlacz IR LED
- Rozdzielczość przetwarzania wideo: do 1920 x 1080
- Zasięg oświetlacza 60 m
- Rozdzielczość przetwornika: 2.0 megapiksele
- Czułość: od 0.001 lx/F=1.2
- Typ obiektywu: motor-zoom z automatyczną ostrością
- AGC - automatyczne sterowanie wzmocnieniem
- WDR - szeroki zakres dynamiki
- 2DNR - cyfrowa redukcja szumów
- Menu ekranowe OSD w jęz. angielskim
- 8 patroli
- 4 trasy obserwacji (do 100 komend)
- 220 presetów
- Zoom: 10x optyczny
- Auto-flip
- Funkcja parkowania
- Klasa szczelności: IP 66
- Uchwyt ścienny w zestawie
- Zasilanie: 12 VDC

1.2. Zawartość opakowania

W zestawie kamerowym powinny się znajdować następujące elementy:

Kamera PTZ NVAHD-2DN3102SD/IR-1	1 szt.
Uchwyt ścienny	1 szt.
Zasilacz AC230V/DC12V –2A	1 szt.
Wkręty	4 szt.
Instrukcja obsługi	1 szt.
Uszczelka	1 szt.
Szablon montażowy	1 szt.

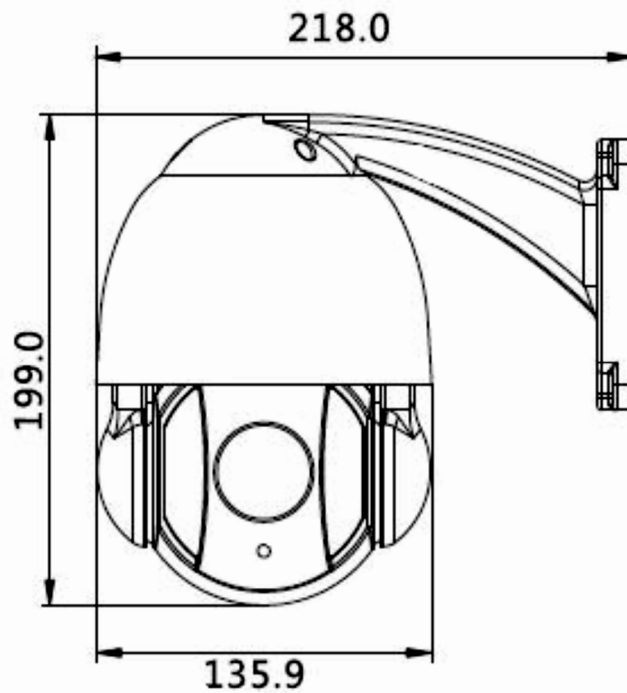
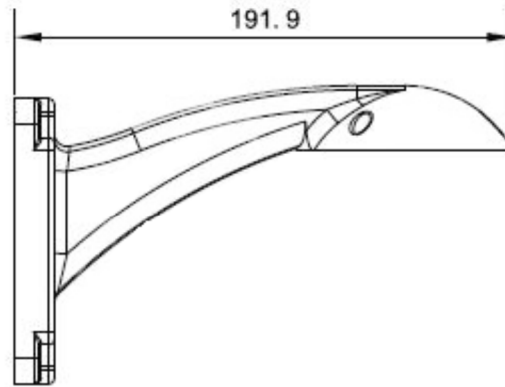
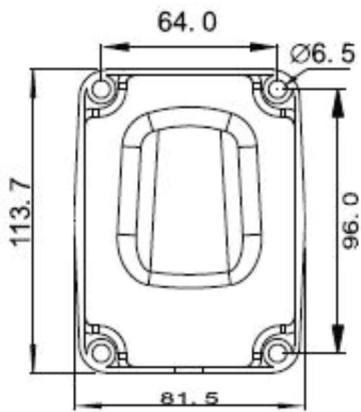
Przed przystąpieniem do instalacji należy sprawdzić zawartość zestawu z powyższym wykazem. W przypadku stwierdzenia braków należy skontaktować się z dystrybutorem marki NOVUS.

DANE TECHNICZNE**1.3 Dane Techniczne**

Obraz	
Przetwornik obrazu	matryca CMOS SONY, 1/2.8" 2.0 Mpx
Liczba efektywnych pikseli	1920x1080
Rozdzielczość pozioma	1080p
Czułość	0.01 lx/F=1.2 - tryb kolorowy 0.001 lx/F=1.2 - tryb czarno-biały 0 lx (IR wł.) - tryb czarno-biały
Stosunek sygnału do szumu	> 50 dB (wyłączona ARW)
Elektroniczna migawka	automatyczna/manualna (1/25 ~ 1/10 000 s)
Kompensacja tylnego światła (BLC)	tak
Tryb pracy	AHD 1080p
Obiektyw	
Typ obiektywu	zmiennooogniskowy z automatyczną ostrością f=5 ~ 50 mm F1.2
Poziomy kąt widzenia obiektywu	64.2° - 7.3°
Zoom	10x optyczny
Dzień/Noc	
Rodzaj	mechaniczny filtr podczerwieni
Tryb przełączania dzień/noc	automatyczny/manualny
Pozostałe funkcje	
Menu Ekranowe	menu OSD w jęz. angielskim
ARW (AGC)	automatyczna/manualna
Balans bieli (WB)	automatyczny/ręczny
Cyfrowa redukcja szumu (DNR)	2DNR
Kompensacja jasnego tła (BLC)	tak
Funkcje Park	wybrane presety, wybrane patrole, wybrane trasy, auto skanowanie
Presety	220
Patrole	8 (32 presety na patrol)
Trasy automatycznego skanowania	1
Trasy obserwacji	4 (do 100 komend)
Zakres obrotu w pionie	0° ~ 90°
Zakres obrotu w poziomie	360°
Prędkość obrotu w pionie/poziomie	0.6°/s - 200°/s, 3.5°/s - 35°/s
Auto-flip	tak
Obróbka obrazu	odbicie lustrzane, obrót 180°
Oświetlacz IR	
Liczba LED	6
Zasięg	do 60 m w zależności od zoomu optycznego
Kąty świecenia	do 90° w zależności od zoomu optycznego
Interfejsy	
Wyjście sygnału wideo	BNC, 1.0 Vp-p, 75 Ohm
Parametry instalacyjne	
Wymiary (mm)	kamera: 136 (szer.) x 199 (wys.) z uchwytem: 136 (szer.) x 199 (wys.) x 218 (dł.)
Masa	1.7 kg (z uchwytem)
Obudowa	aluminiowa, w kolorze białym
Zasilanie	12 VDC
Pobór mocy	do 20 W
Temperatura pracy	-20°C ~ 60°C
Klasa szczelności	IP 66

DANE TECHNICZNE

1.4 Wymiary kamery



pl

INFORMACJE WSTĘPNE

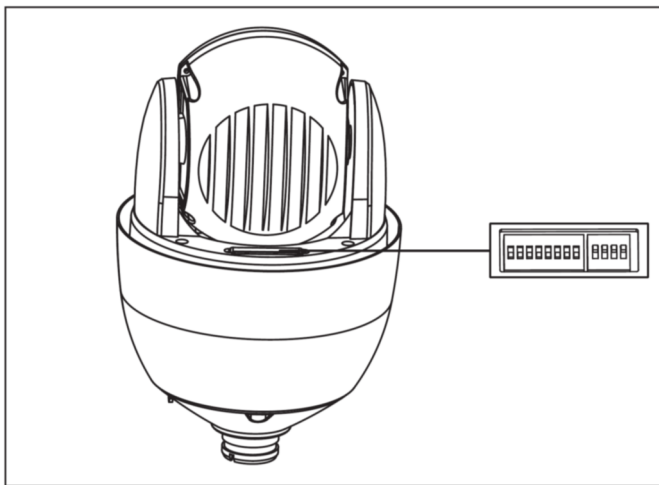
2. MONTAŻ KAMERY AHD

2.1 Uwagi ogólne

Montaż kamery rozpoczynamy od umieszczenia na ścianie szablonu montażowego z otworami montażowymi, w uprzednio wybranym przez nas miejscu.

Wywierć otwory montażowe, a następnie umieść w nich kołki rozporowe.

Wywierć (w razie potrzeby) dodatkowy otwór na przewody wideo i zasilania.



Odkręć dwa wkręty mocujące podstawkę osłaniającą zespół przełączników DIP switch.

Za pomocą DIP switch ustaw adres kamery (1-255)

UWAGA:

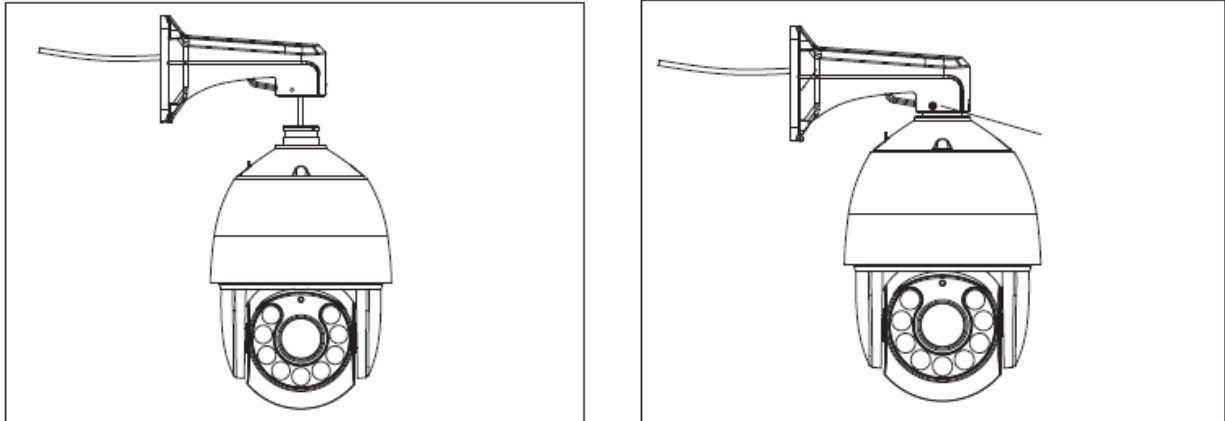
Adresowanie DIP switchy patrz punkt 2.3 str. 11

INSTALACJA

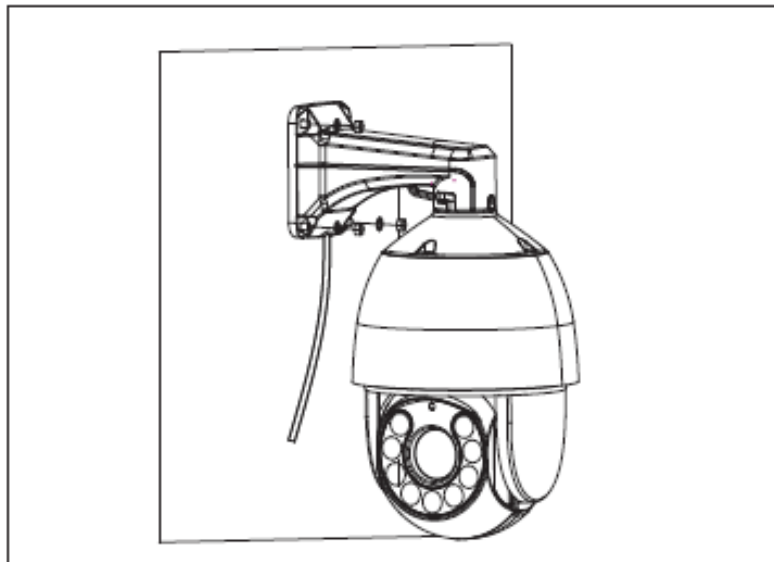
Przełóż kable przez otwór w uchwyt kamery a następnie skręć kamerę z ramieniem

UWAGA!!!

W celu zapewnienia odpowiedniej szczelności, najpierw zamontuj gumowe uszczelki w uchwycie kamery, a także przeprowadź przewody przez otwór w mocowaniu. Dodatkowo zabezpiecz wyjście przewodów odpowiednią masą uszczelniającą.



Przyłóż uchwyt kamery do wywierconych wcześniej otworów montażowych, a następnie przykręć kamerę za pomocą wkrętów.



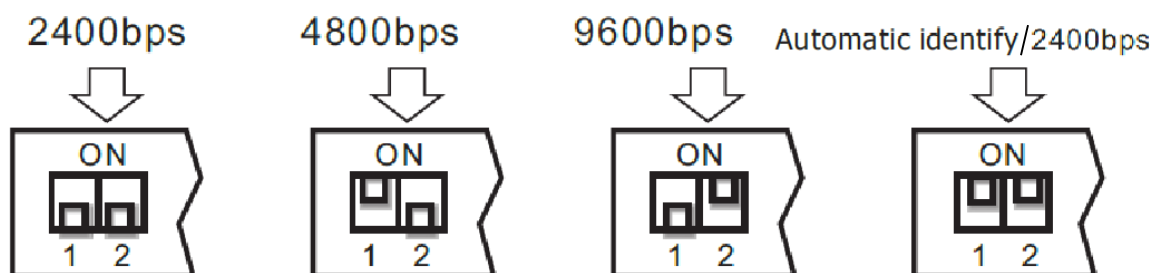
Podłącz przewody (więcej informacji w punkcie 2.5 str. 12)

MONTAŻ, URUCHAMIANIE I WSTĘPNA KONFIGURACJA KAMERY

2.2 Ustawienia prędkości

Kamera posiada DIP switchy do konfiguracji adresów i parametrów transmisji dla protokołu RS-485. Przełączniki znajdują się pod pokrywą modułu kamery.

Kamera jest wyposażona w automatyczne wykrywanie protokołu:

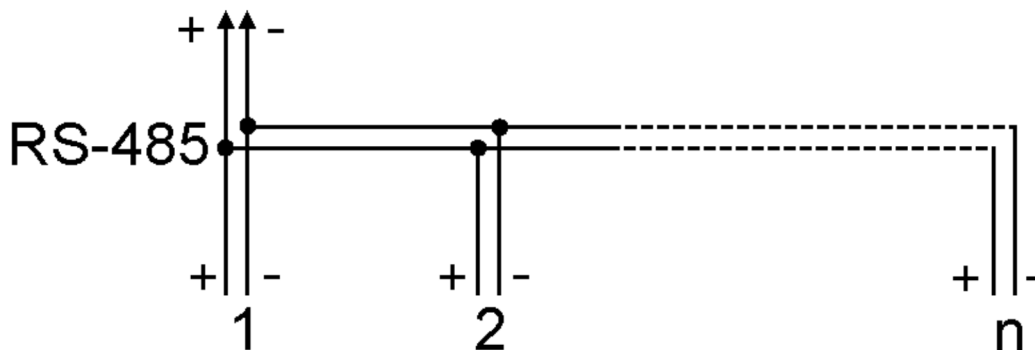


Automatyczna identyfikacja działa w przypadku korzystania z protokołu Pelco-D, Pelco-P.

W przypadku użycia protokołu N-Control, prędkość ustawiona jest na stałą wartość 2400bps.

Kamera posiada zaimplementowany protokół COAX, który umożliwia sterowanie kamery PTZ, bez konieczności podłączenia protokołu RS485. W tym celu na DIP switchach kamery ustawiamy AUTOMATIC IDENTIFY

Dla połączeń w standardzie **RS-485** wykorzystywane są złącza kamery oznaczone jako **RS485+** i **RS485-**, które należy połączyć z złączami **TX+** i **TX-** sterownika, np.: klawiatury NV-KBD50. Kolejną kamerę w kaskadzie łączymy wykorzystując te same złącza **RS485+** i **RS485-**.



MONTAŻ, URUCHAMIANIE I WSTĘPNA KONFIGURACJA KAMERY

Magistrala RS485 do poprawnego działania wszystkich podłączonych do niej urządzeń musi być zakończona rezystorem 120 Ohm. Kamera posiada wbudowany rezystor 120 Ohm, i aby z niego skorzystać należy przełączyć przełącznik nr 4 w przełączniku DIP switch, zgodnie z obrazkiem poniżej:



2.3 Adresowanie Kamery



W celu uniknięcia konfliktów sterowania każda kamera musi posiadać unikalny adres w systemie. Za ustawienie adresu kamery odpowiedzialne są przełączniki od 1 do 8.

W przypadku instalacji systemu z pojedynczym rejestratorem zaleca się przyporządkowanie adresów zgodnie z numerami wejść rejestratora, do którego jest podłączony sygnał wizyjny z kamery.

System adresacji kamery opiera się na przeliczaniu wartości binarnych. Tabela poniżej ilustruje jaką wartość mają kolejne przełączniki. Adres kamery jest sumą wartości wszystkich załączonych w pozycję ON przełączników.

Switch nr:	1	2	3	4	5	6	7	8
Wartość:	1	2	4	8	16	32	64	128
1	ON	OFF	OFF	OFF	OFF	OFF	OFF	OFF
2	OFF	ON	OFF	OFF	OFF	OFF	OFF	OFF
3	ON	ON	OFF	OFF	OFF	OFF	OFF	OFF
5	ON	OFF	ON	OFF	OFF	OFF	OFF	OFF
11	ON	ON	OFF	ON	OFF	OFF	OFF	OFF

UWAGA!

Domyślny adres kamery, ustawiony fabrycznie to 1

URUCHAMIANIE I WSTĘPNA KONFIGURACJA KAMERY

2.3. Zasilanie i podłączenie przewodów

UWAGA!!!

Proszę sprowadzić parametry zasilania przed podłączeniem kamery!



Zasilanie	Zakres	Prąd
DC12V	± 10%	2A

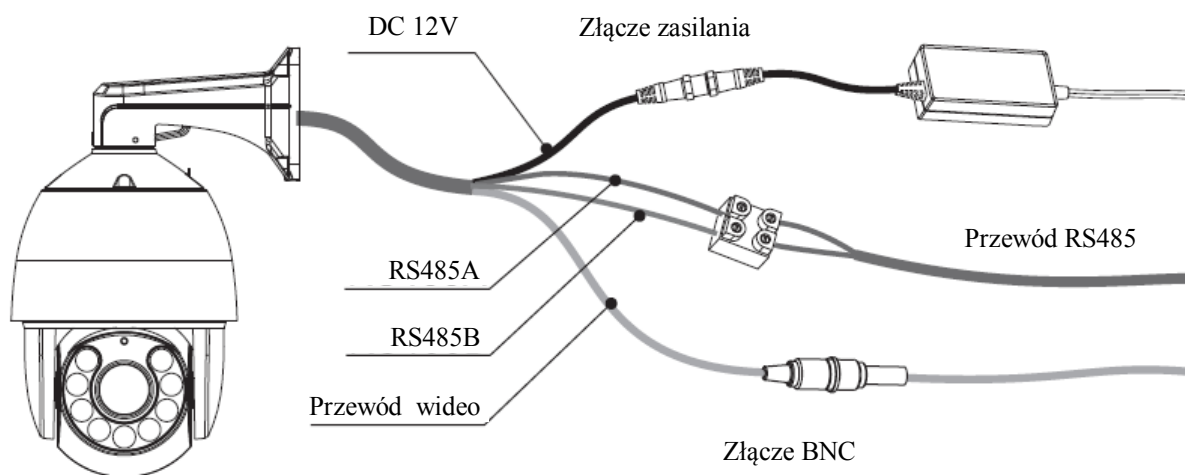
pl

Podłączanie przewodów sterowania

Połącz RS485 z klawiaturą lub rejestratorem DVR. W przypadku podłączenia więcej niż jednego urządzenia łączenia wykonujemy równoległe.

1. Protokół i prędkość przesyłu może zostać ustawiona przez użytkownika (pamiętaj aby ustawienia były takie same dla kamery i dla obsługującego ją urządzenia)
2. Należy ustawić różne adresy kamery PTZ w systemie z wieloma kamerami.

Połącz kamerę jak pokazano na diagramie poniżej.



Złącze	Nazwa	Kolor przewodu	Sposób przyłączenia
Kabel zasilania	DC12V input power	DC Czarny	Złącze zasilania
RS485A	485 Communication Bus A	Biały	RS485+
RS485B	485 Communication Bus B	Zielony	RS485-
Kabel Video	Video Cable	Port BNC	Podłącz monitor lub DVR (AHD)

3. PODSTAWOWE FUNKCJE

Po podłączeniu zasilania do kamery, kamera przechodzi przez tryb auto-testu. Po połączeniu kamery z klawiaturą lub DVR, należy sprawdzić prawidłowość połączeń poprzez wykonanie kilku ruchów joystickiem w pionie jak i w poziomie.

Kamera posiada możliwość programowania presetów, patroli i tras za pomocą zewnętrznej klawiatury, bez konieczności uruchamiania wewnętrznego menu OSD.

UWAGA!!!

Przedstawiony sposób programowania działa dla klawiatury NV-KBD50. Sposoby programowania (SET) i wywoływania (CALL) presetów mogą się różnić w zależności od modelu użytej klawiatury, lub protokołu kontroli. Należy zapoznać się z instrukcją obsługi posiadanej klawiatury.

3.1 Ustawianie presetów (SET PRESET)

Kamera posiada możliwość ustawiania presetów za pomocą klawiatury PTZ. Domyślne programowanie presetów (dla protokołów Pelco-D i N-Control)

1. Wybierz adres kamery (patrz instrukcja obsługi klawiatury)
2. Korzystając z joysticka i zoomu ustaw obszar obserwacji
3. Wciśnij przycisk [N] (numer wybranego presetu) + [PRESET] przez 3s zaprogramować dany preset pod wybranym numerem (N)

3.2 Wywoływanie presetów (CALL PRESET)

Aby wywołać wcześniej zaprogramowany preset należy:

1. Wybrać adres kamery
2. Wciśnij przycisk [PRESET] + (N) (numer presetu)

Kamera przejdzie do wcześniej zaprogramowanego presetu

3.3 Funkcje wywoływane za pomocą presetów

Kamera posiada wbudowane podwójne presetu funkcyjne, za pomocą których uruchamiamy i wyłączamy poszczególne opcje kamery.

Konkretna funkcja wywoływana jest poprzez sekwencje dwóch presetów następujących po sobie Np: [92]+[PRESET]+[1]+[PRESET] która w tym przypadku wywołuje PATROL 1 (patrz tabelka)

Tabela funkcji głównych:

Funkcja Główna	PRESET	UWAGI
Funkcje IR	90	
Funcie modułu kamerowego	91	
Funkcja PATROLU	92	
Funkcja TRASY	93	
Kontrola funkcji PTZ	94	

USTAWIENIA

MENU	95	Wywołanie menu OSD
Ustawienia Systemowe	96	
Zastrzeżenia	97	Funkcja nieaktywna
Szybki Auto-scan	98	
Wolny Auto-scan	99	

Wywoływanie poszczególnych funkcji

Funkcja Główna	Nr. Presetu	Tryb wywołania (CALL)	Tryb ustawień (SET)	UWAGI
Funkcje oświetlacza IR (90)	1	Auto ON/OFF		
	2	Wymuszone zał.		
	3	Wymuszone wył.		
	11	Wysoka czułość		
	12	Średnia czułość		
	13	Niska czułość		
Funkcje modułu kamerowego (91)	1	IR - Załącz		
	2	IR - Wyłącz		
	3	IR - Auto On		
	4	IR - Auto Off		
	50	Automatyczna diagnoza		
	80	Wejście do menu modułów		
	81	Potwierdzenie funkcji w menu OSD		W przypadku wsparcia menu OSD
Funkcje Patroli (92)	1	Wywołaj Patrol 1	Patrol 1 ustawienia	
	2	Wywołaj Patrol 2	Patrol 2 ustawienia	
	3	Wywołaj Patrol 3	Patrol 3 ustawienia	
	4	Wywołaj Patrol 4	Patrol 4 ustawienia	
	5	Wywołaj Patrol 5	Patrol 5 ustawienia	
	6	Wywołaj Patrol 6	Patrol 6 ustawienia	
	7	Wywołaj Patrol 7	Patrol 7 ustawienia	
	8	Wywołaj Patrol 8	Patrol 8 ustawienia	
	9	Zakończ ustawienia patroli		
	10	Ustaw. czas patroli (5-240s)		
	11	Ustaw. prędkości patroli (1-63)		
Funkcje Trasy (93)	1	Wywołaj Trasa 1	Trasa 1 ustawienia	
	2	Wywołaj Trasa 2	Trasa 2 ustawienia	
	3	Wywołaj Trasa 3	Trasa 3 ustawienia	

USTAWIENIA

Funkcje Trasy (93)	4	Wywołaj Trasa 4	Trasa4 ustawienia	
	5	Zakończ ustawienia Trasy		
Kontrola PTZ (94)	1-8	Parkowanie Preset 1-8		
	9-16	Parkowanie Patrol 1-8		
	17-20	Parkowanie Trasy 1-4		
	21	Parkowanie Auto Scan		
	22	Parkowanie Linia A-B		
	30	Parkowanie czas wywołania 0 (off)		
	31	Parkowanie czas wywołania 10s		
	32	Parkowanie czas wywołania 30s		
	33	Parkowanie czas wywołania 60s		
	41	Ustawienie Linii A		
	42	Ustawienie Linii B		
	43	Wysoka prędkość Skanowanie linii		
	44	Średnia prędkość Skanowanie linii		
	45	Niska prędkość skanowanie linii		
	46	Skanowanie wew. łuku		
	47	Skanowanie zew. łuku		
	50	Uruchomienie autodetekcji		
	51	Wyłączenie autodetekcji		
52	Uruchomienie auto zoom			
53	Wyłączenie auto zoom			
Ustawienia Systemowe (96)	Sekwencyjne wywołanie 10, 12, 14	Powrót do ustawień fabrycznych		
	30	Włącz/Wyłącz Auto-Flip		

Zmiana trybu pracy kamery

Funkcja główna	Nr Presetu	Tryb wywołania (CALL)	Tryb ustawień	Uwagi
Zmiana trybu (AHD, TVI, CVI) 96	1	Przełączenie w tryb TVI		
	2	Przełączenie w tryb CVI		
	3	Przełączenie w tryb AHD		
	4	Przełączenie w tryb CVBS (analog)		
	5	Przełączenie w tryb PAL		
	6	Przełączenie w tryb NTSC		

USTAWIENIA

Aby poprawnie zmieniać tryby pracy kamery kolejne presety należy wywoływać po sobie np.:

CALL PRESET 96 + CALL PRESET 1 - kamera przełączy się w tryb pracy 1080p TVI.

Dodatkowo presety mogą być wywoływane za pomocą rejestratora po protokole COAX.

UWAGA!

Korzystając z protokołu COAX istnieje ryzyko wyłączenia sterowania kamery jeśli przełączymy kamerę w tryb pracy **CVI lub CVBS**. Aby przełączyć kamerę w inne tryby należy skorzystać z protokołu RS-485. Protokół COAX w przypadku trybów pracy CVI i CVBS **NIE FUNKCJONUJE**

UWAGA !!!

W przypadku protokołu N-Control istnieje możliwość wywoływania funkcji a także Presetów, Patroli i Tras bezpośrednio z klawiatury (patrz instrukcja obsługi klawiatury)

UWAGA!

Presety 35 - 42 domyślnie wywołują patrole 1 - 8.

PATROL 1 domyślnie posiada zaprogramowane presety od 1 do 8, z parametrami SPD 50 TIME 10

3.4 Ustawianie Patroli

Ustawianie patroli odbywa się za pomocą komend SET PRESET 92 + PRESET [N]

Dodawanie presetów w patrolu.

Każdy patrol może zawierać do 32 presetów. Po dodaniu wybranych przez siebie presetów, należy zapisać zmiany przez użycie CALL PPRESET 92 + CALL PRESET 9

Do ustawienia czasu postoju na danym presecie w patrolu należy wykonać operację:

SET PRESET 91 + CALL PRESET 11 + CALL PRESET [N] (gdzie N oznacza czas postoju z zakresu 5-240s)

Do ustalenia prędkości przejścia między presetami w patrolu należy wykonać operację:

SET PRESET 92 + CALL PRESET 12 + CALL PRESET [N] (gdzie N oznacza prędkość przejścia między presetami z zakresu 1-63)

USTAWIENIA

Dla przykładu: Dodaj presety od 1 do 4 w patrolu 1, czas postoju presetu 30s, prędkość 40

Wykonujemy poniższą instrukcję:

Dodajemy preset w patrol:

1. SET PRESET 92 + CALL PRESET [1] - ustawienia patrolu 1
2. CALL PRESET [1] - dodajemy preset 1 do patrolu 1
3. CALL PRESET [2] - dodajemy preset 2 do patrolu 1
4. CALL PRESET [3] - dodajemy preset 3 do patrolu 1
5. CALL PRESET [4] - dodajemy preset 4 do patrolu 1
6. CALL PRESET 92 + CALL PRESET 9 - zapis wybranych presetów w Patrolu 1

Ustawienia czasu postoju w Patrolach

1. SET PRESET 92 + CALL PRESET 10 - ustawienia czasu postju presetów
2. CALL PRESET 30 - ustawienia czasu postoju presetów w patrolach na 30

Ustawienia prędkości przejścia pomiędzy presetami w patrolu

1. SET PRESET 92 + CALL PRESET 11 - ustawianie prędkości przejścia pomiędzy presetami
2. CALL PRESET 40 - ustawienia prędkości na wartość 40

USTAWIENIA

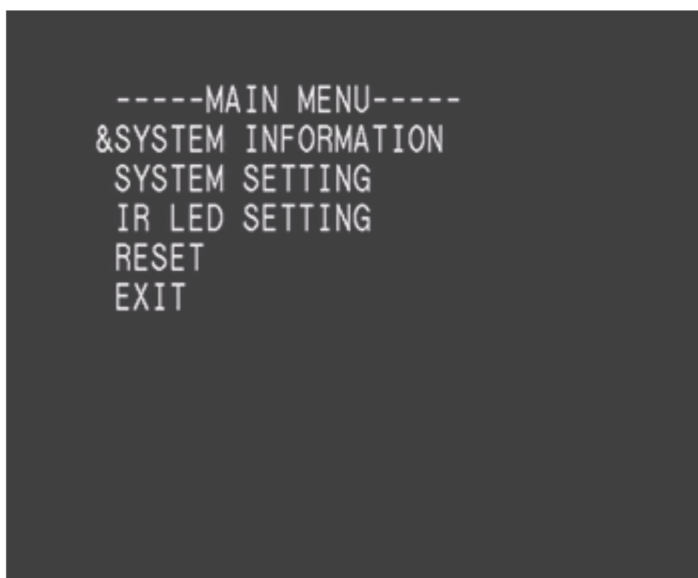
4.0. MENU OSD

Do poruszania się po menu głównym należy skorzystać z zewnętrznej klawiatury lub rejestratora obsługującego funkcje PTZ. Aby wyświetlić menu OSD wywołujemy PRESET 95. Po menu poruszamy się za pomocą joysticka na klawiaturze lub systemowego nawigatora w rejestratorze bądź w przeglądarce. Menu główne posiada trzy sub-menu, do którego przechodzimy za pomocą joysticka-ruch w prawo lub IRIS+ (w przypadku rejestratora). Po wybraniu danej opcji znaczek & zmieni się na *, co pozwoli na wprowadzenie zmian za pomocą joysticka. Aby opuścić dane sub-menu, korzystamy strzałką w lewo bądź IRIS-. Dodatkowo każde menu posiada opcję EXIT przez którą, również możemy opuścić dane menu.

pl

4.1 Menu „Main Menu”

Menu główne dzieli się na trzy podmenu służące do konfiguracji kamery



SYSTEM INFORMATION - sub-menu zawierające główne informacje o kamerze i jej ustawienia

SYSTEM SETTING - sub-menu pozwalające zmieniać część ustawień domyślnych i funkcji kamery PTZ

IR LED SETTING - sub-menu pozwalające konfigurować ustawienia diod IR LED

RESET– Reset urządzenia do ustawień fabrycznych

EXIT - Wyjście z menu OSD

4.2 Menu „System Information”

Menu SYSTEM INFORMATION służy do wyświetlania domyślnych informacji na temat kamery AHD.



```
----INFORMATION----
&PROTOCOL      N-CTRL
BAUD RATE      2400
HARD ADDR      003
SOFT ADDR      001
SOFT ADDR ENABLEOFF
VERSION        VER.1N.1
EXIT
```

PROTOCOL - informacje na temat protokołu służącego do obsługi kamery w systemie PTZ, domyślne ustawienie: AUTO

BAUD RATE - informacja na temat prędkości przesyłu danych przy obsłudze kamery PTZ, domyślne ustawienie: AUTO (kamera sama wykrywa prędkość transmisji)

HARD ADDR - informacja na temat fizycznego adresu kamery ustawionego za pomocą przełączników DIP switch

SOFT ADDR - ustawienie adresu kamery za pomocą menu OSD

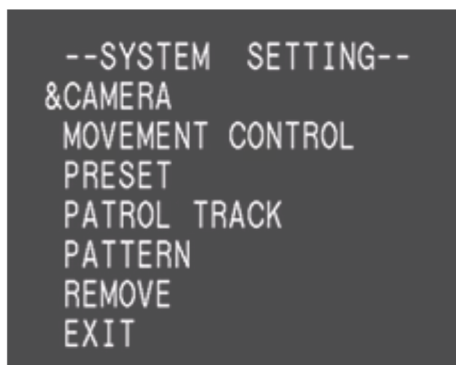
SOFT ADDR ENABLE - przełączenie kamery w celu nadania adresu wykrywanego przez oprogramowanie, domyślnie wyłączone (OFF)

VERSION - aktualna wersja oprogramowania kamery

EXIT - wyjście z menu

USTAWIENIA

4.3 Menu „System Settings”



CAMERA - Sub-menu służące do ustawienia kamery.

MOVEMENT CONTROL - sub-menu służące do konfiguracji domyślnych ustawień ruchów kamery

PRESET - sub-menu służące ustawianiu presetów

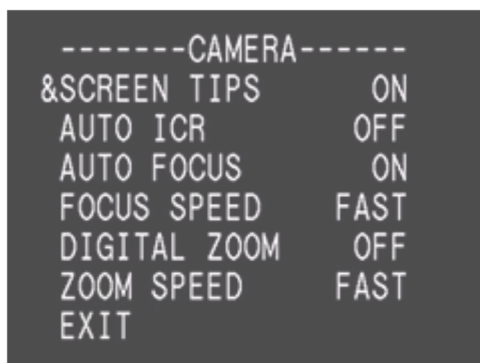
PATROL TRACK - sub-menu służące do konfigurowania patroli

PATTERN - sub-menu służące konfigurowaniu tras (powtarzanie ruchów operatora)

REMOVE - kasowanie ustawień z wcześniejszych menu (PRESET, PATROL, PATTERN)

EXIT- powrót do poprzedniego menu

4.3.1 Menu „Camera”



SCREEN TIPS - informacje na temat ustawień kamery wyświetlane na obrazie, domyślnie wyłączone (OFF)

AUTO ICR - automatyczny filtr podczerwieni, domyślnie wyłączony (OFF)

AUTO FOCUS - funkcja automatycznego wyostrzania obrazu, domyślnie włączona (ON)

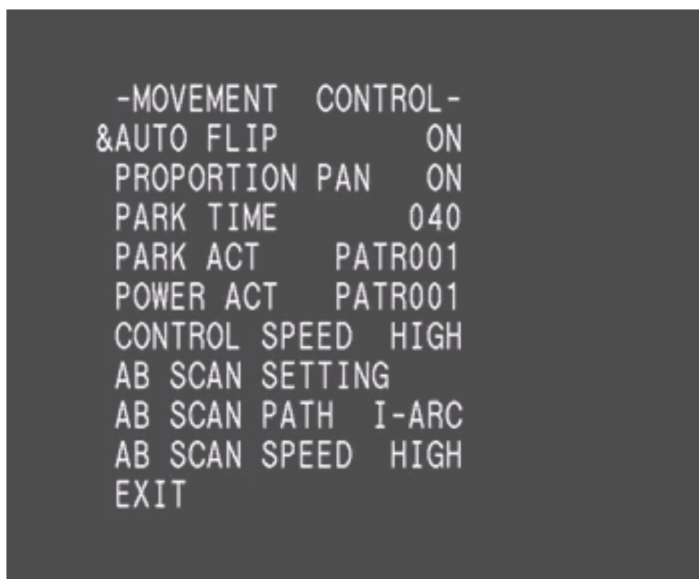
FOCUS SPEED - ustawienia prędkości wyostrzania (FAST/SLOW), domyślne ustawienie (FAST)

DIGITAL ZOOM - zoom cyfrowy - opcja niedostępna

ZOOM SPEED - prędkość zoomu (FAST/SLOW), domyślnie ustawienie: szybko (FAST)

EXIT - wyjście do poprzedniego menu

4.3.2 Menu „Movement Control”



AUTO FLIP - funkcja automatycznego obrotu obrazu o 180°, przy ciągłym ruchu w dół, domyślnie włączona (ON)

PROPORTION PAN - funkcja automatycznego dostosowania prędkości kamery w zależności od zastosowanego zoomu domyślnie włączona (ON)

PARK TIME - czas po jakim kamera przechodzi w funkcję parkowania (5-255s), domyślnie funkcja jest wyłączona (NO)

PARK ACT - funkcja PTZ która zostaje uruchomiona w przypadku ustawienia czasu funkcji parkowania (PRESET 1-8/PATROL 1-8/PATTERN 0-4/AUTO SCAN/AB SCAN), domyślnie wyłączony (NO).

POWER ACT - funkcja PTZ która zostaje uruchomiona przez kamerę w przypadku powrotu zasilania (PRESET 1-8/PATROL 1-8/PATTERN 0-4/AUTO SCAN/AB SCAN), domyślnie wyłączony (NO).

CONTROL SPEED - prędkość z jaką kamera będzie odtwarzała zaprogramowane ruchy (LOW/MEDIUM/HIGH), domyślnie ustawienie: szybkie (HIGH).

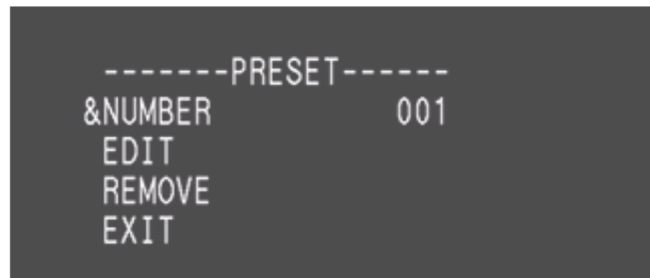
AB SCAN SETTING - programowanie trybu A-B, zaprogramowanie dwóch presetów pomiędzy którymi kamera będzie wykonywać auto skanowanie.

AB SCAN PATCH - ustawienia sposobu auto skanowania pomiędzy zaprogramowanymi presetami AB (I-ARC/0-ARC), skan krótki: I-ARC, lub patrol długi: 0-ARC domyślne ustawienie: patrol krótki (I-ARC)

AB SCAN SPEED - ustawienia prędkości w trybie AB SCAN (LOW/MEDIUM/HIGH), domyślnie ustawiona prędkość szybko (HIGH)

USTAWIENIA

4.3.3 Menu „Preset”



NUMBER - wybranie numeru presetu z przedziału 1-220

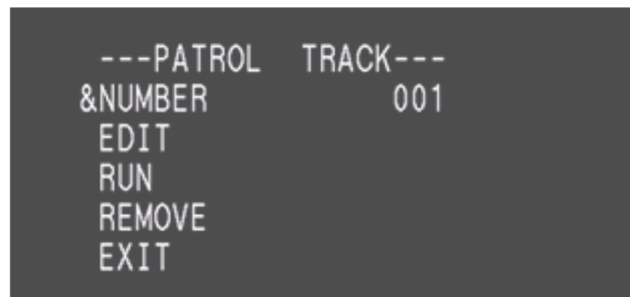
EDIT - edycja presetu poprzez odpowiednie ustawienie kamery na wybranym widoku

REMOVE - wykasowanie wybranego presetu

EXIT - powrót do wcześniejszego menu

4.3.4 Menu „Patrol Track”

NUMBER - wybranie numeru patrolu z przedziału 1-8



EDIT - sub-menu pozwalające na skonfigurowanie poszczególnych presetów (1-32) w Patrolu , prędkości (1– 63) i czasu postoju na danym presecie (1-240)s, domyślne parametry (SPD 50, TIME 10)

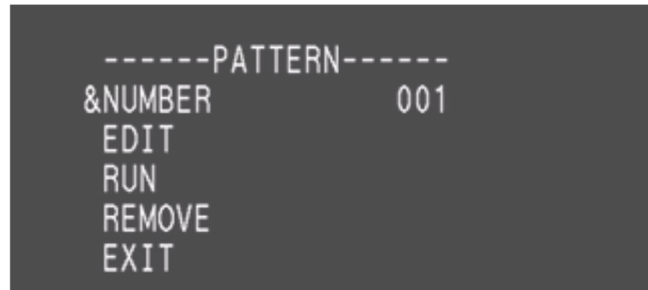
RUN - uruchomienie danego patrolu

REMOVE - wykasowanie wybranego patrolu

EXIT - powrót do wcześniejszego menu

4.3.5 Menu „Pattern”

Jest to funkcja pozwalająca zapamiętać do 100 ruchów operatora które następnie zostaną odtworzone przez kamerę.



NUMBER - wybranie numeru trasy z przedziału 1-4

EDIT - nagrywanie trasy poprzez wykonywanie ruchów joystickiem, każda funkcja kamery zostanie nagrana i odtworzona zgodnie z zapamiętanymi ustawieniami (do 100 ruchów)

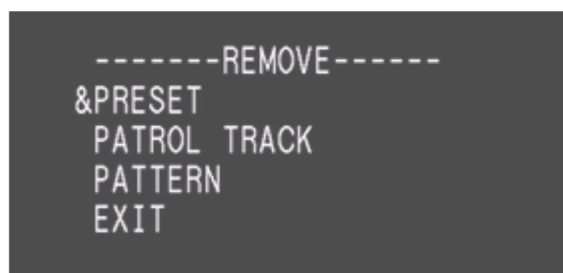


RUN - uruchomienie zaprogramowanej trasy

REMOVE - usunięcie zaprogramowanej trasy

EXIT - powrót do wcześniejszego menu

4.3.6 Menu „Remove”



PRESET - usunięcie ustawień w funkcji PRESET

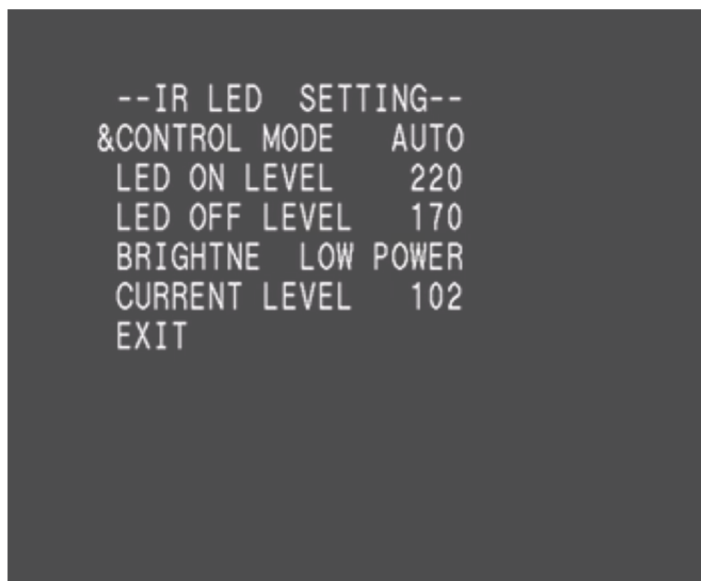
PATROL TRACK - usunięcie ustawień w funkcji PATROL

PATTERN - usunięcie ustawień w funkcji PATTERN

EXIT - powrót do poprzedniego menu

USTAWIENIA

4.4 Menu „IR LED Setting”



CONTROL MODE - Sterowanie oświetleniem IR (AUTO/ON/OF), domyślnie w trybie automatycznym (AUTO)

LED ON LEVEL - poziom oświetlenia przy którym zostają załączone diody LED, domyślnie 220

LED OFF LEVEL - poziom oświetlenia przy którym zostają wyłączone diody LED domyślnie 170

BRIGHTNE - poziom światłości generowany przez diody LED (LOW POWER/MANUAL/UNIFORM) domyślne ustawienia niskie oświetlenie (LOW POWER)

CURRENT LEVEL - wskazuje aktualny poziom oświetlenia, pomocny przy dobieraniu poziomu przełączania

EXIT - wyjście

4.5 Menu modułu kamerowego

Dodatkowo kamera NVAHD-2DN3102SD/IR-1 posiada menu modułu kamerowego które wywołujemy za pomocą komendy PRESET 91 + PRESET 80. Menu składa się z menu podzielonego na dwie sekcje. W tym menu poruszamy się za pomocą przycisków ZOOM+ i ZOOM- natomiast zmian ustawień dokonujemy za pomocą przycisków FOCUS+ i FOCUS-. Po dokonaniu wszelkich zmian menu opuszczamy za pomocą opcji SAVE&EXIT.

USTAWIENIA



→ LANG	EN
OSD-DISP	OFF
D&N	COL
MIRROR	OFF
BRIGHT	20
WDR	OFF
SHARPNESS	14
OUTPUT	AHD
FORMAT	1080/25

LANG - wyświetlanie aktualnego języka, domyślnie angielski (EN)

OSD-DIPS - Wyświetlanie informacji w menu OSD

D&N - tryb dzień i noc (AUTO/BW/COL), ustawienia tryby pracy kamery w kolorze, czarno-białym lub automatyczne przełączanie, domyślnie w trybie Color (COL)

BRIGHT - regulacja poziom jasności z zakresu 0-31, domyślne ustawienie 20

WDR - szeroki zakres dynamiki domyślnie wyłączony (OFF)

SHARPNESS - regulacja ostrości z zakresu 0-31, domyślne ustawienie 14

MIRROR - przerzucanie obrazu (OFF/FLIP/UD/LR), obraca obraz w pionie, poziomie prawo-lewo, domyślnie wyłączony (OFF)

OUTPUT - funkcja nieaktywna

FORMAT - tryb wyświetlania obrazu (1080p/25, 1080p/30, 720p/25, 720p/30) domyślnie 1080p/25

UWAGA w przypadku zmiany na tryb 1080p/30 lub 720p/30 kamera zmieni system wyświetlania obrazu z PAL na NTSC. Aby powrócić do poprzedniego systemu należy zmienić system wyświetlania w rejestratorze na NTSC. A następnie zmienić w kamerze tryb wyświetlania na 1080p/25 lub 720o/25, albo powrócić do ustawień domyślnych.

USTAWIENIA

```
→ SAT          08
  CONTRAST     13
  ZOOM         10
  BLC          OFF
  FOCUS        AF
  Z - SAVE     ON
  F - RANGE    → 1 · 3 M
  RESET        →
  SAVE - EXIT  →
```

SAT - regulacja saturacji obrazu z zakresu 0-31, domyślne ustawienie 08

CONTRAST - regulacja kontrastu obrazu, z zakresu 0-31, domyślne ustawienie 13

ZOOM - ustawienie maksymalnej wyświetlanej wartości optycznego zoomu z zakresu 1-50, domyślna wartość 10

BLC - włączenie/wyłączenie funkcji BLC, kompensacji tylnego oświetlenia

FOCUS - tryb pracy wyostżenia (AF/MF/TRIG) domyślnie w trybie auto (AF)

Z-SAVE - włączenie/wyłączenie zapisania pozycji zoomu kamerowego domyślnie włączone (ON)

F-RANGE - ustawienie zakresu ogniskowania, minimalnej wartości z jakiej kamera będzie samoistnie ostrzyła, domyślnie 1.3m

RESET - resetowanie do ustawień fabrycznych

SAVE-EXIT - zapisanie ustawień i wyjście z menu

NOTATKI

pl

noVus[®]

AAT Holding S.A, ul. Puławska 431, 02-801 Warszawa, Polska
tel.: 22 546 07 00, faks: 22 546 07 59
www.novuscctv.com